

PLEASE CHECK WWW.MOLEX.COM FOR LATEST PART INFORMATION

Part Number: [0512382011](#)
Status: **Active**
Description: CRC™ Shielded Rectangular I/O Receptacle Housing for Female Terminal, Signal, 20 Circuits, Polarization Type Standard

Documents:

[Drawing \(PDF\)](#) [Product Specification PS-51238-018 \(PDF\)](#)
[Product Specification PS-51238-010 \(PDF\)](#) [RoHS Certificate of Compliance \(PDF\)](#)

Agency Certification

CSA	LR19980
TUV	R72081037
UL	E29179

General

Product Family	I/O Connectors
Series	51238
Application	Panel-Mount, Wire-to-Wire
Component Type	Housing
Product Name	CRC™
Type	N/A

Physical

Boot Color	N/A
Circuits (Loaded)	N/A
Circuits (maximum)	20
Color - Resin	Black
Durability (mating cycles max)	100
Flammability	94V-0
Gender	Receptacle
Keying to Mating Part	Yes
Lock to Mating Part	Yes
Material - Metal	Stainless Steel
Material - Plating Mating	n/a
Material - Resin	Polyester
Number of Rows	5
Orientation	Vertical
PCB Locator	No
Packaging Type	Tray
Panel Mount	Front, Rear
Pitch - Mating Interface (in)	0.118 In
Pitch - Mating Interface (mm)	3.00 mm
Pitch - Term. Interface (in)	0.118 In
Pitch - Term. Interface (mm)	3.00 mm
Polarized to Mating Part	Yes
Polarized to PCB	N/A
Ports	1
Surface Mount Compatible (SMC)	N/A
Temperature Range - Operating	-40°C to +105°C
Termination Interface: Style	N/A
Waterproof / Dustproof	No

Electrical

Current - Maximum per Contact	1A, 2A, 3.5A, 3A
Shielded	No
Voltage - Maximum	250V AC (RMS)/DC



EU RoHS

ELV and RoHS Compliant
REACH SVHC Contains SVHC: No
Halogen-Free Status
Not Reviewed

China RoHS



Need more information on product environmental compliance?

Email productcompliance@molex.com
 For a multiple part number RoHS Certificate of Compliance, [click here](#)

Please visit the [Contact Us](#) section for any non-product compliance questions.

Search Parts in this Series

51238Series

Mates With

51234-200X plug housing|55836-200X plug assembly set

Use With

56377-200* receptacle shell|56120 and 56121 female terminal

Material Info

Reference - Drawing Numbers

Product Specification

Sales Drawing

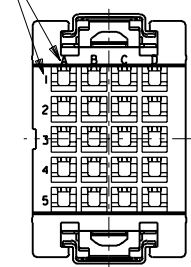
PS-51238-010, PS-51238-018, RPS-51238-001

SD-51238-008

This document was generated on 04/12/2010

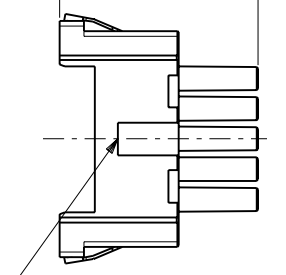
PLEASE CHECK WWW.MOLEX.COM FOR LATEST PART INFORMATION

回路番号表示
CKT.No.IDENTIFICATION

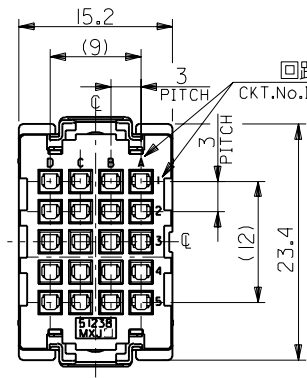
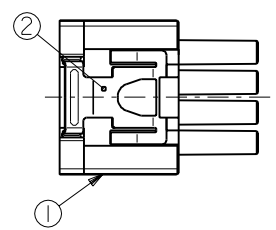


電線挿入側
WIRE SIDE

19.7



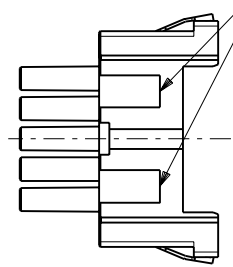
シエル挿入方向キー
POLARIZATIONS KEY FOR SHELL



嵌合側
MATING SIDE

回路番号表示
CKT.No.IDENTIFICATION

シエル挿入方向キー
POLARIZATIONS KEY FOR SHELL



注記
NOTES

- 材質
MATERIAL
①ハウジング：ガラス入りPBT樹脂
HOUSING : PBT G.F.
UL94V-0 色：黒
UL94V-0 COLOR : BLACK
②スプリング：ステンレス鋼 t0.3
SPRING : STAINLESS STEEL t0.3
- 適用端子：56120-8*90 , 56121-8*90
APPLICABLE CRIMP PIN : 56120-8*90 , 56121-8*90
- 適用リセプタクル シェル：56377-20**
APPLICABLE RECEPTACLE SHELL : 56377-20**
- 嵌合相手：51234-200*
MEET WITH : 51234-200*

<誤嵌合防止キー(極性)タイプ> <POLARITY KEY TYPE>

51238-2011	51238-2012	51238-2013	51238-2014	51238-2015
STANDARD TYPE	A TYPE	B TYPE	C TYPE	D TYPE

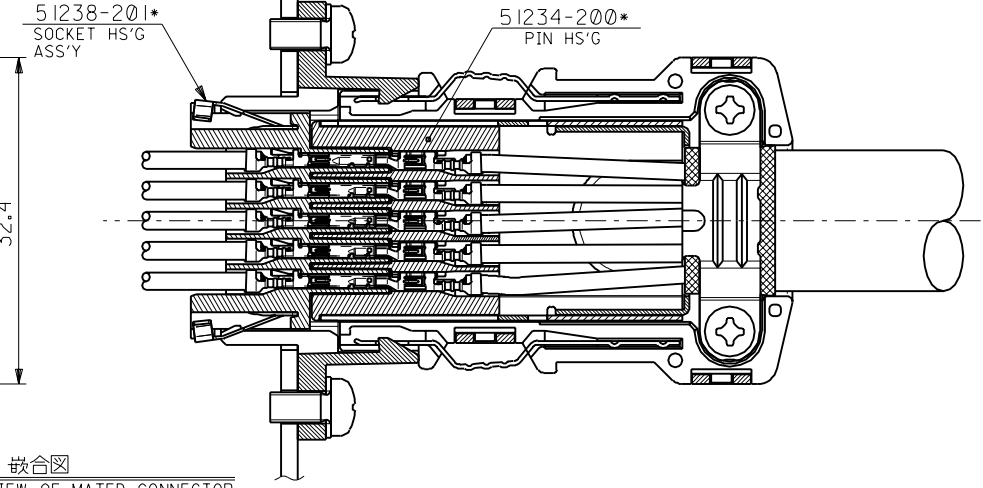
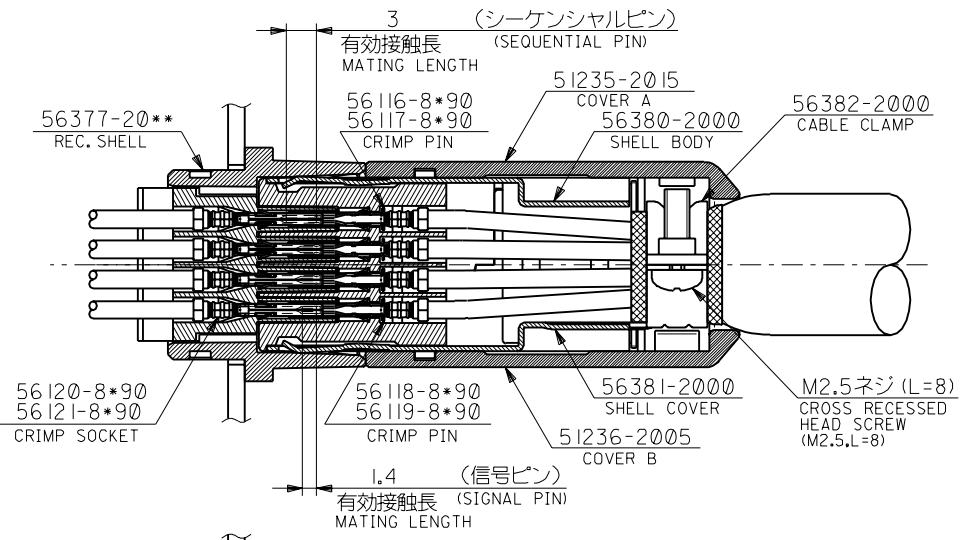
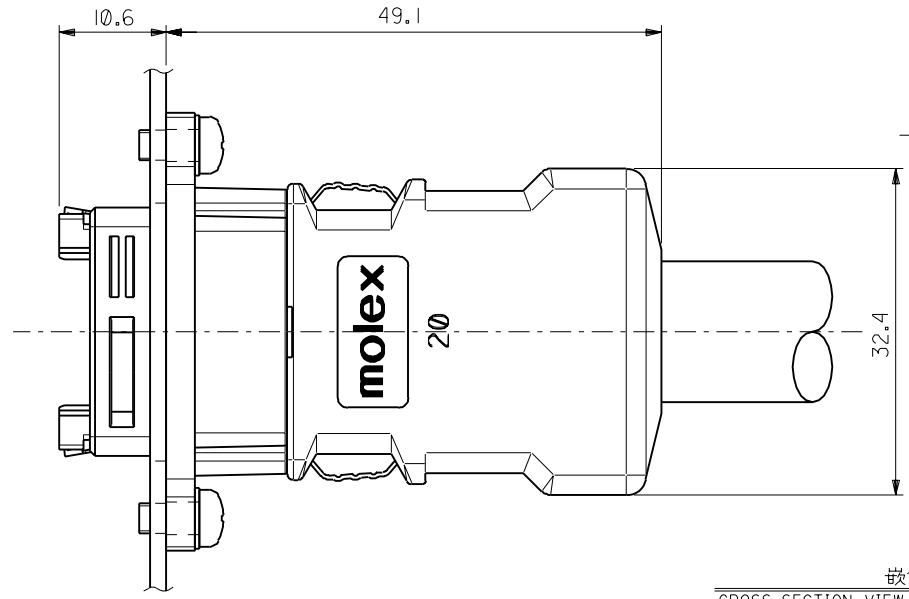
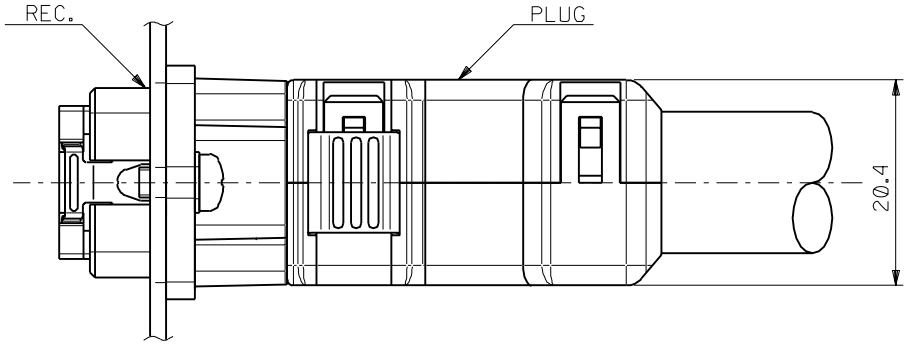
C-4	D	51238-2015	51238-***1*	20
C-3	C	51238-2014		
B-3	B	51238-2013		
B-2	A	51238-2012		
—	STANDARD	51238-2011		
POLARITY POSITION (CIRCUIT No.)	POLARITY TYPE	MATERIAL No.	MODEL No.	CIRCUIT

DO NOT SCALE DRAWING

EC NO. DRWN: CHK: APPR:	EC NO. DRWN: CHK: APPR:	EC NO. DRWN: CHK: APPR:	REVISED 01/10/04 EC NO. J2002-0786 DRWN: S.AKIYAMA CHK: J.MIYAZAWA APPR: YO.ITO	RELEASED 01/02/16 EC NO. JD2001-1040 DRWN: S.AKIYAMA CHK: J.MIYAZAWA APPR: H.IKESUGI	DESCRIPTION MATERIAL 材料 FINISH 仕上げ WIRE RANGE 適用電線範囲 INS. RANGE 被覆外径	注記参照 SEE NOTES	GENERAL TOLERANCES: (UNLESS SPECIFIED) 一般公差	SCALE 2-1 DESIGN UNITS <input checked="" type="checkbox"/> mm <input type="checkbox"/> INCH	THIRD ANGLE PROJECTION <input type="checkbox"/> mm INCH <input checked="" type="checkbox"/> INCH mm ONLY	SHT 2-1 REV REVISIONS CAD ONLY	
			A	0			10 UNDER 未満 ±0.2 10 OVER 以上 30 UNDER 未満 ±0.25 30 OVER 以上 ±0.3	DRAWN BY & DATE S. Akizawa 1/01/25 CHECKED BY & DATE J. Miyazawa / Y. Ito APPROVED BY & DATE Yo. Ito	TITLE: COMPACT ROBOT CONN. (CRC) REC. SOCKET HS'G ASS'Y		
							ANGLE 角度 ±3°	CAD FILE NAME 51238008.S01	MATERIAL NO. SEE CHART	DRAWING NO. SD-51238-008	SHEET NO. 1 OF 4

THIS DRAWING CONTAINS INFORMATION THAT IS PROPRIETARY TO MOLEX INCORPORATED AND SHOULD NOT BE USED WITHOUT WRITTEN PERMISSION.

DWG. NO.
SD-51238-008

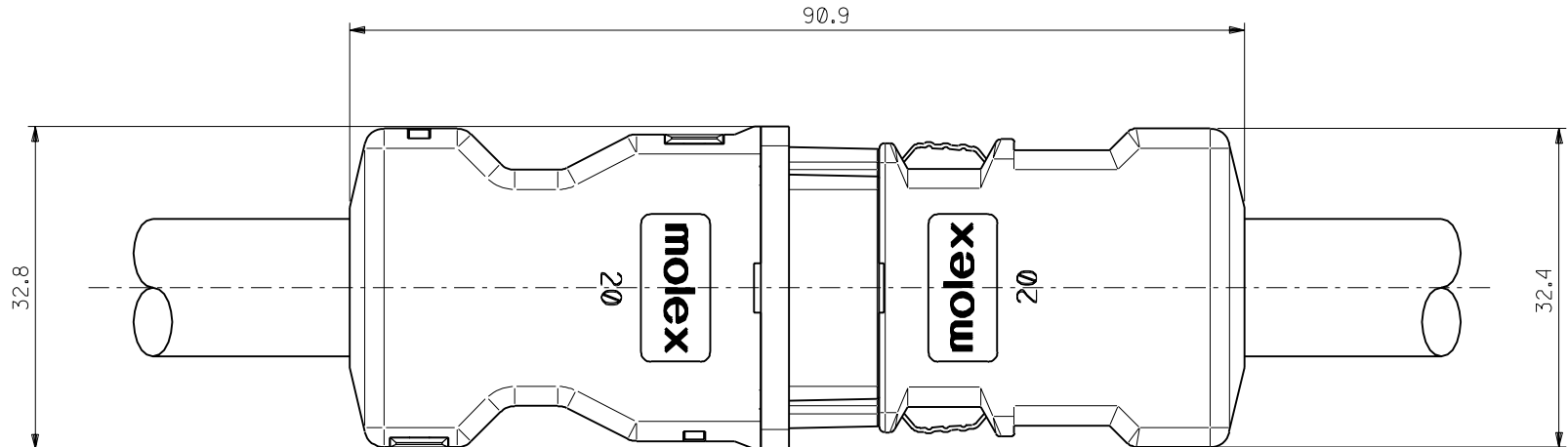
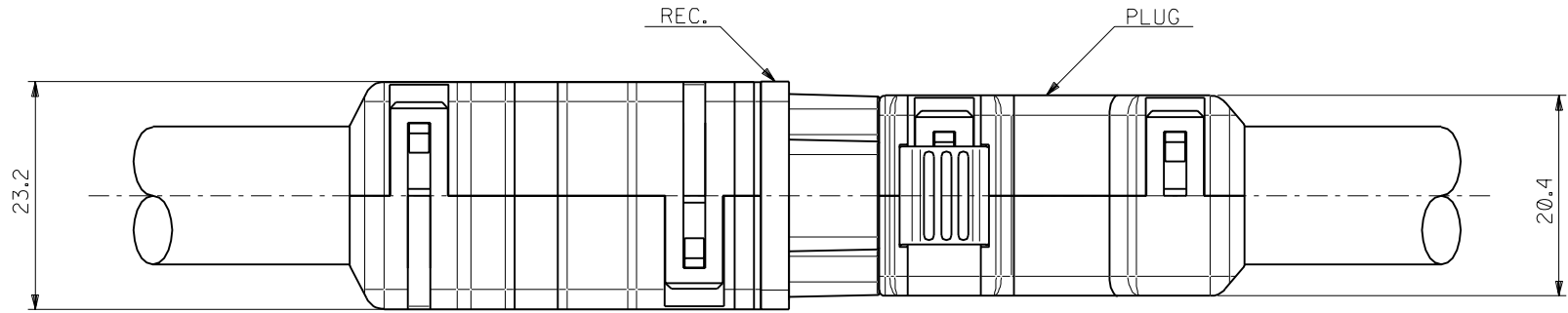


嵌合図
CROSS-SECTION VIEW OF MATED CONNECTOR

DO NOT SCALE DRAWING

EC NO. DRWN: CHK: APPR:	EC NO. DRWN: CHK: APPR:	EC NO. DRWN: CHK: APPR:	REVISED 01/10/04	MATERIAL 材料	GENERAL TOLERANCES: (UNLESS SPECIFIED) 一般公差	SCALE 2-1	DESIGN UNITS mm □ mm □ INCH	THIRD ANGLE PROJECTION	DIMENSIONS: mm □ mm □ INCH □ mm ONLY	SHT	REV
			EC NO. J2002-0786 DRWN: S.AKIYAMA CHK: J.MIYAZAWA APPR: YO.ITO								
A	0	0	RELEASED 01/02/16	FINISH 仕上げ	30 UNDER 未満	±0.25	DRAWN BY & DATE S. Akiyama 01/01/25	MATERIAL NO. SEE CHART	DRAWING NO. SD-51238-008	2 OF 4	REVISION ON CAD ONLY
			EC NO. JD2001-1040 DRWN: S.AKIYAMA CHK: J.MIYAZAWA APPR: H.IKESUGI								
				INS. RANGE 被覆外径	30 OVER 以上	±0.3	APPROVED BY & DATE 01/01/25	MATERIAL NO. SEE CHART	DRAWING NO. SD-51238-008	SHEET NO. 2 OF 4	SIZE B
						ANGLE 角度	±3°	THIS DRAWING CONTAINS INFORMATION THAT IS PROPRIETARY TO MOLEX INCORPORATED AND SHOULD NOT BE USED WITHOUT WRITTEN PERMISSION.			EN-02J(097) MXJ-54

51238008.S02

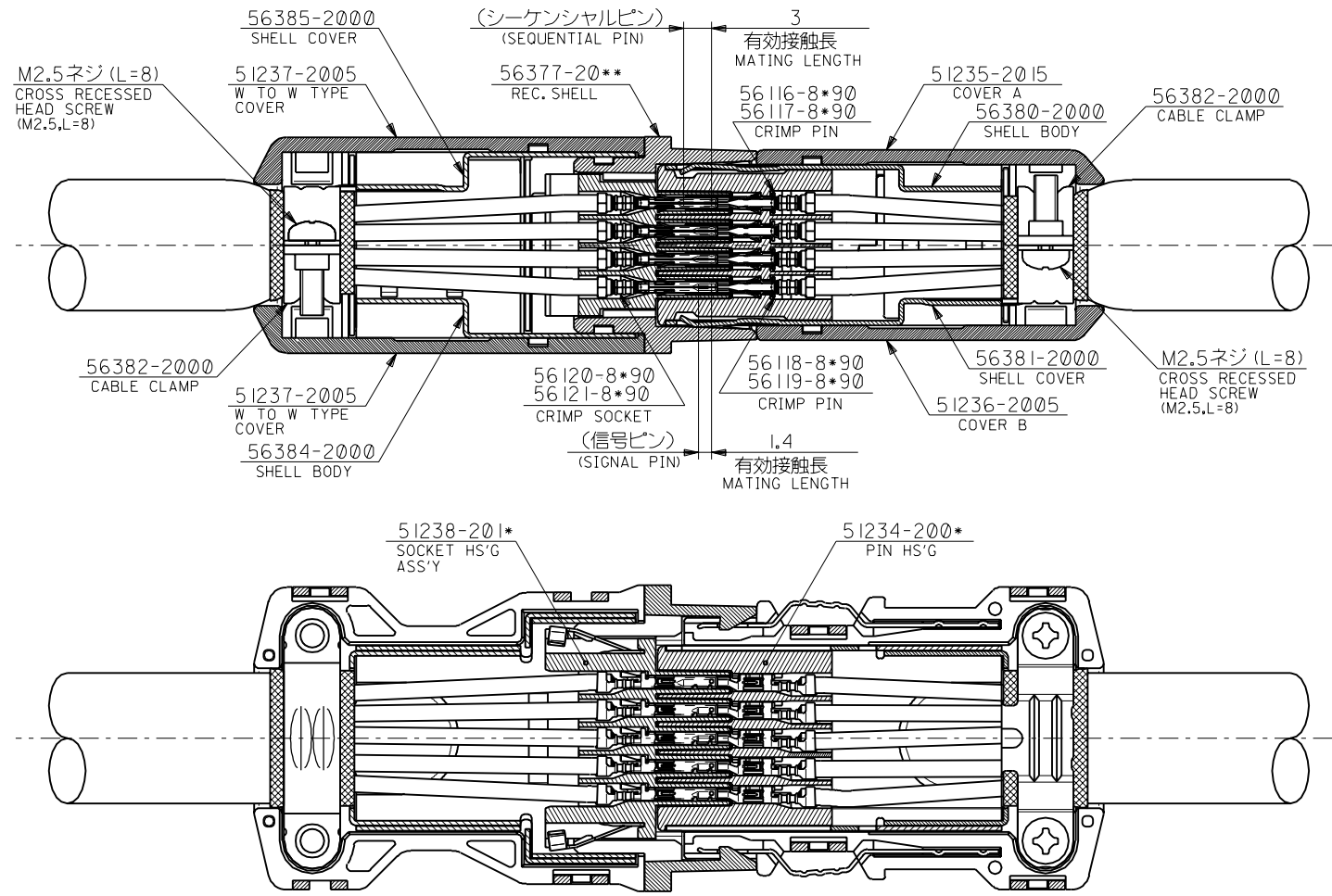


嵌合図 (中継タイプ)
CROSS-SECTION VIEW OF MATED CONNECTOR
(WIRE TO WIRE TYPE)

DO NOT SCALE DRAWING

EC NO. DRWN: CHK: APPR:	EC NO. DRWN: CHK: APPR:	EC NO. DRWN: CHK: APPR:	REVISED 01/10/04	MATERIAL 材料	GENERAL TOLERANCES: (UNLESS SPECIFIED) 一般公差	SCALE	DESIGN UNITS	THIRD ANGLE PROJECTION	DIMENSIONS:		SHT	REV
			EC NO. J2002-0786 DRWN: S.AKIYAMA CHK: J.MIYAZAWA APPR: YO.ITO			2-1	mm <input checked="" type="checkbox"/> mm <input type="checkbox"/> INCH <input type="checkbox"/>		<input type="checkbox"/> mm <input type="checkbox"/> INCH	<input checked="" type="checkbox"/> mm ONLY	2-1	REVISION ON CAD ONLY
A	0		RELEASED 01/02/16 EC NO. JD2001-1040 DRWN: S.AKIYAMA CHK: J.MIYAZAWA APPR: H.IKESUGI	FINISH 仕上げ	10 UNDER 未満	±0.2	DRAWN BY & DATE <i>S. Akiyama</i> / 01/25	TITLE: COMPACT ROBOT CONN. (CRC) REC. SOCKET HS'G ASS'Y				
				WIRE RANGE 適用電線範囲	10 OVER 30 UNDER 以上 未満	±0.25	CHECKED BY & DATE <i>J. Miyazawa / Y. Ito</i>	MATERIAL NO. SEE CHART DRAWING NO. SD-51238-008 SHEET NO. 3 OF 4				
				INS. RANGE 被覆外径	30 OVER 以上	±0.3	APPROVED BY & DATE <i>Yo. Ito</i>					
						ANGLE 角度	±3°	THIS DRAWING CONTAINS INFORMATION THAT IS PROPRIETARY TO MOLEX INCORPORATED AND SHOULD NOT BE USED WITHOUT WRITTEN PERMISSION.				

DWG. NO. SD-51233-008



嵌合図 (中継タイプ)
 CROSS-SECTION VIEW OF MATED CONNECTOR
 (WIRE TO WIRE TYPE)

DO NOT SCALE DRAWING

EC NO. DRWN: CHK: APPR:	EC NO. DRWN: CHK: APPR:	EC NO. DRWN: CHK: APPR:	REVISED 01/10/04	MATERIAL 材料	GENERAL TOLERANCES: (UNLESS SPECIFIED) 一般公差	SCALE 2-1	DESIGN UNITS mm □ INCH	THIRD ANGLE PROJECTION	DIMENSIONS: □ mm □ INCH ☒ mm ONLY	SHT REVISE ON CAD ONLY	REV	
			EC NO. J2002-0786 DRWN: S.AKIYAMA CHK: J.MIYAZAWA APPR: Y.O.IITO									DESCRIPTION 注記参照 SEE NOTES
A	0	0	RELEASED 01/02/16	FINISH 仕上げ	10 OVER 以上	30 UNDER 未滿	±0.25	CHECKED BY & DATE J. Miyazawa / Y. Oe	APPROVED BY & DATE Y. Oe	MATERIAL NO. SEE CHART	DRAWING NO. SD-51238-008	SHEET NO. 4 OF 4
			EC NO. JD2001-1040 DRWN: S.AKIYAMA CHK: J.MIYAZAWA APPR: H.IKESUGI									
				INS. RANGE 被覆外径	ANGLE 角度	±3°						

THIS DRAWING CONTAINS INFORMATION THAT IS PROPRIETARY TO MOLEX INCORPORATED AND SHOULD NOT BE USED WITHOUT WRITTEN PERMISSION.