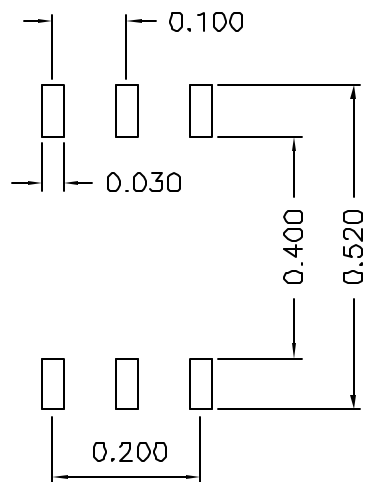
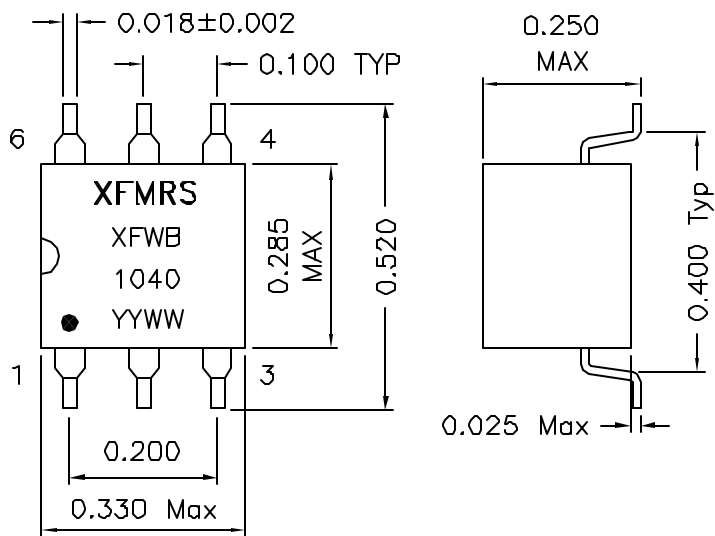
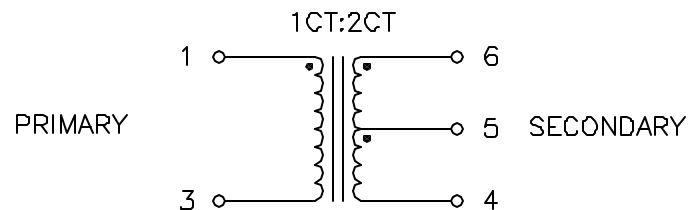


1. Dimensions:



SUGGESTED PCB LAYOUT

2. Schematic:



3. Electrical Specifications: @25°C

ISOLATION: 300VAC (PRI TO SEC)

TURNS RATIO: (1-3):(6-5-4)=1:2CT

OCL: P1-3 30uH Typ @100KHz 50mV

Freq. Bandwidth: 3.0dB Typ. 0.3 - 50MHz

Center Freq.: 30-33MHz

Pri Impedance: 50 Ohms

DOC. REV: A/3

XFMRS Inc		Title: Wide Band Transformer	
		P/N: XFWB1040	REV. A
UNLESS OTHERWISE SPECIFIED TOLERANCES: .xxx ±0.010 Dimensions in INCH		DWN.	廖玉坤 May-18-00
		CHK.	李清儿 May-18-00
SHEET 1 OF 1		APP.	Joe Huff May-18-00