

# PCI EXPRESS™ CLOCK GENERATOR

ICS841S01

## GENERAL DESCRIPTION



The ICS841S01 is a PLL-based clock generator specifically designed for PCI\_Express™ Clock Generation applications. This device generates a 100MHz HCSL clock. The device offers a HCSL (Host Clock Signal Level) clock output from a clock input reference of 25MHz. The input reference may be derived from an external source or by the addition of a 25MHz crystal to the on-chip crystal oscillator. An external reference may be applied to the XTAL\_IN pin with the XTAL\_OUT pin left floating.

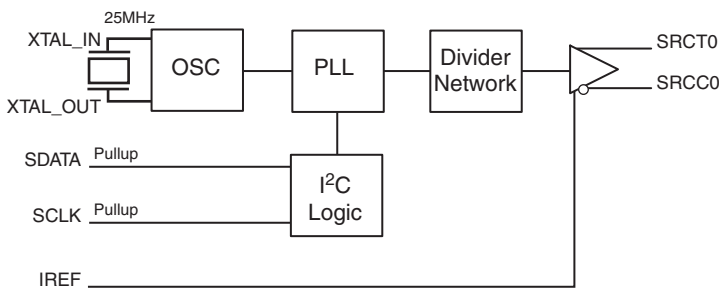
The device offers spread spectrum clock output for reduced EMI applications. An I<sup>2</sup>C bus interface is used to enable or disable spread spectrum operation as well as select either a down spread value of -0.35% or -0.5%.

The ICS841S01 is available in both standard and lead-free 16-Lead TSSOP packages.

## FEATURES

- One 0.7V current mode differential HCSL output pair
- Crystal oscillator interface, 25MHz
- Output frequency: 100MHz
- RMS period jitter: 3ps (maximum)
- Cycle-to-cycle jitter: 35ps (maximum)
- I<sup>2</sup>C support with readback capabilities up to 400kHz
- Spread Spectrum for electromagnetic interference (EMI) reduction
- 3.3V operating supply mode
- 0°C to 70°C ambient operating temperature
- Available in both standard (RoHS 5) and lead-free (RoHS 6) packages

## BLOCK DIAGRAM



## PIN ASSIGNMENT

|         |   |    |          |
|---------|---|----|----------|
| VSS_SRC | 1 | 16 | VDD_SRC  |
| VDD_SRC | 2 | 15 | SDATA    |
| SRCT0   | 3 | 14 | SCLK     |
| SRCC0   | 4 | 13 | XTAL_OUT |
| VDD_SRC | 5 | 12 | XTAL_IN  |
| VSS_SRC | 6 | 11 | VDD_REF  |
| IREF    | 7 | 10 | VSS_REF  |
| VSSA    | 8 | 9  | VDDA     |

### ICS841S01

#### 16-Lead TSSOP

4.4mm x 5.0mm x 0.92mm  
package body  
**G Package**  
Top View

The Preliminary Information presented herein represents a product in pre-production. The noted characteristics are based on initial product characterization and/or qualification. Integrated Device Technology, Incorporated (IDT) reserves the right to change any circuitry or specifications without notice.

TABLE 1. PIN DESCRIPTIONS

| Number   | Name                | Type         |        | Description                                                                                                                                           |
|----------|---------------------|--------------|--------|-------------------------------------------------------------------------------------------------------------------------------------------------------|
| 1, 6     | V <sub>SS_SRC</sub> | Power        |        | Ground for core and SRC outputs.                                                                                                                      |
| 2, 5, 16 | V <sub>DD_SRC</sub> | Power        |        | Power supply for core and SRC outputs.                                                                                                                |
| 3, 4     | SRCT0, SRCC0        | Output       |        | Differential output pair. HCSL interface levels.                                                                                                      |
| 7        | IREF                | Input        |        | A fixed precision resistor (475Ω) from this pin to ground provides a reference current used for differential current-mode SRCC0, SRCT0 clock outputs. |
| 8        | V <sub>SSA</sub>    | Power        |        | Analog ground pin.                                                                                                                                    |
| 9        | V <sub>DDA</sub>    | Power        |        | Power supply for PLL.                                                                                                                                 |
| 10       | V <sub>SS_REF</sub> | Power        |        | Ground for crystal interface                                                                                                                          |
| 11       | V <sub>DD_REF</sub> | Power        |        | Power supply for crystal interface.                                                                                                                   |
| 12, 13   | XTAL_IN, XTAL_OUT   | Input        |        | Crystal oscillator interface. XTAL_IN is the input. XTAL_OUT is the output.                                                                           |
| 14       | SCLK                | Input        | Pullup | SMBus compatible SCLK. This pin has an internal pullup resistor, but is in high impedance in powerdown mode. LVCMOS/LVTTL interface levels.           |
| 15       | SDATA               | Input/Output | Pullup | SMBus compatible SDATA. This pin has an internal pullup resistor, but is in high impedance in powerdown mode. LVCMOS/LVTTL interface levels.          |

NOTE: Pullup refers to internal input resistors. See Table 2, Pin Characteristics, for typical values.

TABLE 2. PIN CHARACTERISTICS

| Symbol              | Parameter              | Test Conditions | Minimum | Typical | Maximum | Units |
|---------------------|------------------------|-----------------|---------|---------|---------|-------|
| C <sub>IN</sub>     | Input Capacitance      |                 |         | 4       |         | pF    |
| R <sub>PULLUP</sub> | Input Pullup Resistor  |                 |         | 51      |         | kΩ    |
| C <sub>OUT</sub>    | Output Pin Capacitance |                 |         | 4       |         | pF    |

## SERIAL DATA INTERFACE

To enhance the flexibility and function of the clock synthesizer, a two-signal serial interface is provided. Through the Serial Data Interface, various device functions, such as individual clock output buffers, can be individually enabled or disabled. The registers associated with the Serial Data Interface initialize to their default setting upon power-up, and therefore, use of this interface is optional. Clock device register changes are normally made upon system initialization, if any are required. The interface cannot be used during system operation for power management functions.

## DATA PROTOCOL

The clock driver serial protocol accepts byte write, byte read, block write, and block read operations from the controller. For block write/read operation, the bytes must be accessed in sequential order from lowest to highest byte (most significant bit first) with the ability to stop after any complete byte has been transferred. For byte write and byte read operations, the system controller can access individually indexed bytes. The offset of the indexed byte is encoded in the command code, as described in *Table 3A*.

The block write and block read protocol is outlined in *Table 3B*, while *Table 3C* outlines the corresponding byte write and byte read protocol. The slave receiver address is 11010010 (D2h).

**TABLE 3A. COMMAND CODE DEFINITION**

| BIT | Description                                                                                                              |
|-----|--------------------------------------------------------------------------------------------------------------------------|
| 7   | 0 = Block read or block write operation, 1 = Byte read or byte write operation.                                          |
| 6:5 | Chip select address, set to "00" to access device.                                                                       |
| 4:0 | Byte offset for byte read or byte write operation. For block read or block write operations, these bits must be "00000". |

**TABLE 3B. BLOCK READ AND BLOCK WRITE PROTOCOL**

| BIT   | Description = Block Write    | BIT   | Description = Block Read             |
|-------|------------------------------|-------|--------------------------------------|
| 1     | Start                        | 1     | Start                                |
| 2:8   | Slave address - 7 bits       | 2:8   | Slave address - 7 bits               |
| 9     | Write                        | 9     | Write                                |
| 10    | Acknowledge from slave       | 10    | Acknowledge from slave               |
| 11:18 | Command Code - 8 bits        | 11:18 | Command Code - 8 bits                |
| 19    | Acknowledge from slave       | 19    | Acknowledge from slave               |
| 20:27 | Byte Count - 8 bits          | 20    | Repeat start                         |
| 28    | Acknowledge from slave       | 21:27 | Slave address - 7 bits               |
| 29:36 | Data byte 1 - 8 bits         | 28    | Read = 1                             |
| 37    | Acknowledge from slave       | 29    | Acknowledge from slave               |
| 38:45 | Data byte 2 - 8 bits         | 30:37 | Byte Count from slave - 8 bits       |
| 46    | Acknowledge from slave       | 38    | Acknowledge                          |
|       | Data Byte/Slave Acknowledges | 39:46 | Data Byte 1 from slave - 8 bits      |
|       | Data Byte N - 8 bits         | 47    | Acknowledge                          |
|       | Acknowledge from slave       | 48:55 | Data Byte 2 from slave - 8 bits      |
|       | Stop                         | 56    | Acknowledge                          |
|       |                              |       | Data Bytes from Slave / Acknowledges |
|       |                              |       | Data Byte N from slave - 8 bits      |
|       |                              |       | Not Acknowledge                      |

TABLE 3C. BYTE READ AND BYTE WRITE PROTOCOL

| BIT   | Description = Byte Write | BIT   | Description = Byte Read  |
|-------|--------------------------|-------|--------------------------|
| 1     | Start                    | 1     | Start                    |
| 2:8   | Slave address - 7 bits   | 2:8   | Slave address - 7 bits   |
| 9     | Write                    | 9     | Write                    |
| 10    | Acknowledge from slave   | 10    | Acknowledge from slave   |
| 11:18 | Command Code - 8 bits    | 11:18 | Command Code - 8 bits    |
| 19    | Acknowledge from slave   | 19    | Acknowledge from slave   |
| 20:27 | Data byte - 8 bits       | 20    | Repeat start             |
| 28    | Acknowledge from slave   | 21:27 | Slave address - 7 bits   |
| 29    | Stop                     | 28    | Read                     |
|       |                          | 29    | Acknowledge from slave   |
|       |                          | 30:37 | Data from slave - 8 bits |
|       |                          | 38    | Not Acknowledge          |
|       |                          | 39    | Stop                     |

## CONTROL REGISTERS

TABLE 4A. BYTE 0:CONTROL REGISTER 0

| BIT | @Pup | Name      | Description                                                 |
|-----|------|-----------|-------------------------------------------------------------|
| 7   | 0    | Reserved  | Reserved                                                    |
| 6   | 1    | Reserved  | Reserved                                                    |
| 5   | 1    | Reserved  | Reserved                                                    |
| 4   | 1    | Reserved  | Reserved                                                    |
| 3   | 1    | Reserved  | Reserved                                                    |
| 2   | 1    | SRC[T/C]0 | SRC[T/C]0 Output Enable<br>0 = Disable (Hi-Z)<br>1 = Enable |
| 1   | 0    | Reserved  | Reserved                                                    |
| 0   | 0    | Reserved  | Reserved                                                    |

TABLE 4B. BYTE 1:CONTROL REGISTER 1

| BIT | @Pup | Name     | Description |
|-----|------|----------|-------------|
| 7   | 0    | Reserved | Reserved    |
| 6   | 0    | Reserved | Reserved    |
| 5   | 0    | Reserved | Reserved    |
| 4   | 0    | Reserved | Reserved    |
| 3   | 0    | Reserved | Reserved    |
| 2   | 0    | Reserved | Reserved    |
| 1   | 0    | Reserved | Reserved    |
| 0   | 0    | Reserved | Reserved    |

TABLE 4C. BYTE 2:CONTROL REGISTER 2

| BIT | @Pup | Name     | Description                                                 |
|-----|------|----------|-------------------------------------------------------------|
| 7   | 1    | SRCT/C   | Spread Spectrum Selection<br>0 = -0.35%, 1 = -0.50%         |
| 6   | 1    | Reserved | Reserved                                                    |
| 5   | 1    | Reserved | Reserved                                                    |
| 4   | 0    | Reserved | Reserved                                                    |
| 3   | 1    | Reserved | Reserved                                                    |
| 2   | 0    | SRC      | SRC Spread Spectrum Enable<br>0 = Spread Off, 1 = Spread On |
| 1   | 1    | Reserved | Reserved                                                    |
| 0   | 1    | Reserved | Reserved                                                    |

TABLE 4D. BYTE 3:CONTROL REGISTER 3

| BIT | @Pup | Name     | Description |
|-----|------|----------|-------------|
| 7   | 1    | Reserved | Reserved    |
| 6   | 0    | Reserved | Reserved    |
| 5   | 1    | Reserved | Reserved    |
| 4   | 0    | Reserved | Reserved    |
| 3   | 1    | Reserved | Reserved    |
| 2   | 1    | Reserved | Reserved    |
| 1   | 1    | Reserved | Reserved    |
| 0   | 1    | Reserved | Reserved    |

TABLE 4E. BYTE 4:CONTROL REGISTER 4

| BIT | @Pup | Name     | Description |
|-----|------|----------|-------------|
| 7   | 0    | Reserved | Reserved    |
| 6   | 0    | Reserved | Reserved    |
| 5   | 0    | Reserved | Reserved    |
| 4   | 0    | Reserved | Reserved    |
| 3   | 0    | Reserved | Reserved    |
| 2   | 0    | Reserved | Reserved    |
| 1   | 0    | Reserved | Reserved    |
| 0   | 1    | Reserved | Reserved    |

TABLE 4F. BYTE 5:CONTROL REGISTER 5

| BIT | @Pup | Name     | Description |
|-----|------|----------|-------------|
| 7   | 0    | Reserved | Reserved    |
| 6   | 0    | Reserved | Reserved    |
| 5   | 0    | Reserved | Reserved    |
| 4   | 0    | Reserved | Reserved    |
| 3   | 0    | Reserved | Reserved    |
| 2   | 0    | Reserved | Reserved    |
| 1   | 0    | Reserved | Reserved    |
| 0   | 0    | Reserved | Reserved    |

**TABLE 4G. BYTE 6:CONTROL REGISTER 6**

| BIT | @Pup | Name      | Description                                                                   |
|-----|------|-----------|-------------------------------------------------------------------------------|
| 7   | 0    | TEST_SEL  | REF/N or Hi-Z Select<br>0 = Hi-Z, 1 = REF/N                                   |
| 6   | 0    | TEST_MODE | TEST Clock Mode Entry Control<br>0 = Normal Operation, 1 = REF/N or Hi-Z Mode |
| 5   | 0    | Reserved  | Reserved                                                                      |
| 4   | 1    | Reserved  | Reserved                                                                      |
| 3   | 0    | Reserved  | Reserved                                                                      |
| 2   | 0    | Reserved  | Reserved                                                                      |
| 1   | 1    | Reserved  | Reserved                                                                      |
| 0   | 1    | Reserved  | Reserved                                                                      |

**TABLE 4H. BYTE 7:CONTROL REGISTER 7**

| BIT | @Pup | Name | Description         |
|-----|------|------|---------------------|
| 7   | 0    |      | Revision Code Bit 3 |
| 6   | 0    |      | Revision Code Bit 2 |
| 5   | 0    |      | Revision Code Bit 1 |
| 4   | 0    |      | Revision Code Bit 0 |
| 3   | 0    |      | Vendor ID Bit 3     |
| 2   | 0    |      | Vendor ID Bit 2     |
| 1   | 0    |      | Vendor ID Bit 1     |
| 0   | 1    |      | Vendor ID Bit 0     |

**ABSOLUTE MAXIMUM RATINGS**

|                                          |                               |
|------------------------------------------|-------------------------------|
| Supply Voltage, $V_{DD}$                 | 4.6V                          |
| Inputs, $V_I$                            | -0.5V to $V_{DD\_REF} + 0.5V$ |
| Outputs, $V_O$                           | -0.5V to $V_{DD\_SRC} + 0.5V$ |
| Package Thermal Impedance, $\theta_{JA}$ | 89°C/W (0 lfpm)               |
| Storage Temperature, $T_{STG}$           | -65°C to 150°C                |

NOTE: Stresses beyond those listed under Absolute Maximum Ratings may cause permanent damage to the device. These ratings are stress specifications only. Functional operation of product at these conditions or any conditions beyond those listed in the *DC Characteristics* or *AC Characteristics* is not implied. Exposure to absolute maximum rating conditions for extended periods may affect product reliability.

**TABLE 5A. POWER SUPPLY DC CHARACTERISTICS,  $V_{DD\_REF} = V_{DDA} = V_{DD\_SRC} = 3.3V \pm 5\%$ ,  $T_A = T_C = 0^\circ C$  TO  $70^\circ C$**

| Symbol        | Parameter                      | Test Conditions | Minimum              | Typical | Maximum       | Units |
|---------------|--------------------------------|-----------------|----------------------|---------|---------------|-------|
| $V_{DD\_REF}$ | Power Supply Voltage           |                 | 3.135                | 3.3     | 3.465         | V     |
| $V_{DDA}$     | Analog Supply Voltage          |                 | $V_{DD\_REF} - 0.25$ | 3.3     | $V_{DD\_REF}$ | V     |
| $V_{DD\_SRC}$ | Core/SRC Output Supply Voltage |                 | 3.135                | 3.3     | 3.465         | V     |
| $I_{DD\_REF}$ | Crystal Supply Current         |                 |                      |         | 8             | mA    |
| $I_{DDA}$     | Analog Supply Current          |                 |                      |         | 25            | mA    |
| $I_{DD\_SRC}$ | Core/SRC Supply Current        |                 |                      |         | 130           | mA    |

**TABLE 5B. DC CHARACTERISTICS,  $V_{DD\_REF} = V_{DDA} = V_{DD\_SRC} = 3.3V \pm 5\%$ ,  $T_A = T_C = 0^\circ C$  TO  $70^\circ C$**

| Symbol               | Parameter                      | Test Conditions | Minimum                        | Typical | Maximum | Units   |
|----------------------|--------------------------------|-----------------|--------------------------------|---------|---------|---------|
| $V_{IH\text{SMBUS}}$ | Input High Voltage             | SDATA, SCLK     | 2.2                            |         |         | V       |
| $V_{IL\text{SMBUS}}$ | Input Low Voltage              | SDATA, SCLK     |                                |         | 1.0     | V       |
| $I_{IH}$             | Input High Current             | SDATA, SCLK     | $V_{DD} = V_{IN} = 3.465V$     |         | 5       | $\mu A$ |
| $I_{IL}$             | Input Low Current              | SDATA, SCLK     | $V_{DD} = 3.465V, V_{IN} = 0V$ | -150    |         | $\mu A$ |
| $I_{OH}$             | Output Current                 |                 |                                | 14      |         | mA      |
| $I_{OZ}$             | High Impedance Leakage Current |                 | -10                            |         | 10      | $\mu A$ |

TABLE 6. AC CHARACTERISTICS,  $V_{DD\_REF} = V_{DDA} = V_{DD\_SRC} = 3.3V \pm 5\%$ ,  $T_A = 0^\circ C$  TO  $70^\circ C$

| Symbol             | Parameter                               | Test Conditions    | Minimum | Typical | Maximum          | Units |
|--------------------|-----------------------------------------|--------------------|---------|---------|------------------|-------|
| fref               | Frequency                               |                    |         | 25      |                  | MHz   |
| sclk               | SCLK Frequency                          |                    |         |         | 400              | kHz   |
|                    | Frequency Tolerance; NOTE 1             | XTAL               |         |         | 50               | ppm   |
|                    |                                         | External Reference |         |         | 0                | ppm   |
| odc                | SRCT/SRCC Duty Cycle; NOTE 2, 7         |                    | 47      |         | 53               | %     |
| $t_{PERIOD}$       | Average Period; NOTE 3                  |                    | 9.9970  |         | 10.0533          | ns    |
| fjit(cc)           | SRCT/C Cycle-to-Cycle Jitter; NOTE 2, 7 |                    |         |         | 35               | ps    |
| fjit(per)          | Period Jitter, RMS; NOTE 2, 7           |                    |         |         | 3                | ps    |
| $t_R / t_F$        | SRCT/SRCC Rise/Fall Time; NOTE 4        | 20% to 80%         | 175     |         | 700              | ps    |
| $t_{RFM}$          | Rise/Fall Time Matching; NOTE 5         |                    |         |         | 20               | %     |
| $t_{DC}$           | XTAL_IN Duty Cycle; NOTE 6              |                    | 47.5    |         | 52.5             | %     |
| $\Delta t_R / t_F$ | Rise/Fall Time Variation                |                    |         |         | 125              | ps    |
| $V_{HIGH}$         | Voltage High                            |                    | 520     |         | 800              | mv    |
| $V_{LOW}$          | Voltage Low                             |                    | -150    |         |                  | mv    |
| $V_{OX}$           | Output Crossover Voltage                | @ 0.7V Swing       | 250     |         | 550              | mV    |
| $V_{OVS}$          | Maximum Overshoot Voltage               |                    |         |         | $V_{HIGH} + 0.3$ | V     |
| $V_{UDS}$          | Minimum Undershoot Voltage              |                    | -0.3    |         |                  | V     |
| $V_{RB}$           | Ring Back Voltage                       |                    |         |         | 0.2              | V     |

NOTE 1: With recommended crystal.

NOTE 2: Measured at crossing point  $V_{OX}$ .

NOTE 3: Measured at crossing point  $V_{OX}$  at 100MHz.

NOTE 4: Measured from  $V_{OL} = 0.175V$  to  $V_{OH} = 0.525V$ .

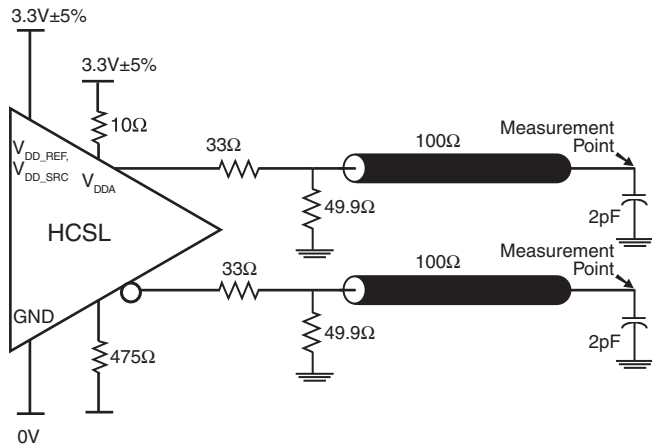
NOTE 5: Determined as a fraction of  $2 \cdot (t_R - t_F) / (t_R + t_F)$ .

NOTE 6: The device will operate reliably with input duty cycles up to 30/70% but the REF clock duty cycle will not be within specification

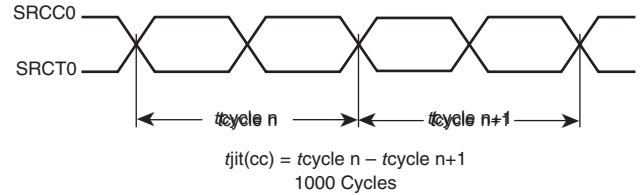
NOTE 7: Measured using a 50Ω to GND termination.



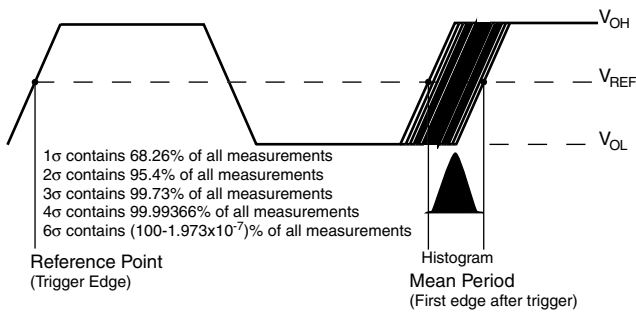
## PARAMETER MEASUREMENT INFORMATION



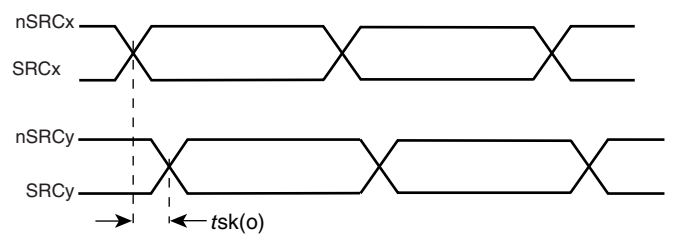
3.3V HCSL OUTPUT LOAD AC TEST CIRCUIT



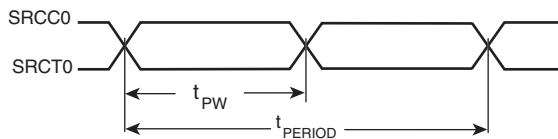
CYCLE-TO-CYCLE JITTER



RMS PERIOD JITTER

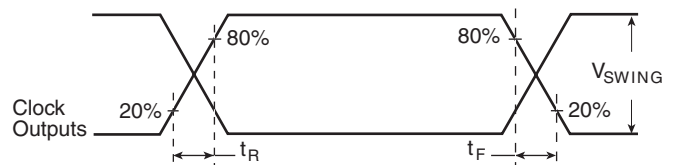


OUTPUT SKEW



$$odc = \frac{t_{PW}}{t_{PERIOD}} \times 100\%$$

OUTPUT DUTY CYCLE/PULSE WIDTH/PERIOD



OUTPUT RISE/FALL TIME

## APPLICATION INFORMATION

### POWER SUPPLY FILTERING TECHNIQUES

As in any high speed analog circuitry, the power supply pins are vulnerable to random noise. The ICS841S01 provides separate power supplies to isolate any high switching noise from the outputs to the internal PLL.  $V_{DD\_REF}$ ,  $V_{DDA}$ , and  $V_{DD\_SRC}$  should be individually connected to the power supply plane through vias, and bypass capacitors should be used for each pin. To achieve optimum jitter performance, power supply isolation is required. *Figure 1* illustrates how a  $10\Omega$  resistor along with a  $10\mu\text{F}$  and a  $.01\mu\text{F}$  bypass capacitor should be connected to each  $V_{DDA}$  pin. The  $10\Omega$  resistor can also be replaced by a ferrite bead.

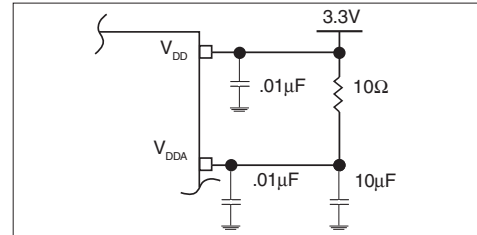


FIGURE 1. POWER SUPPLY FILTERING

### USING THE ON-BOARD CRYSTAL OSCILLATOR

The ICS841S01 features a fully integrated Pierce oscillator to minimize system implementation costs. The ICS841S02I may be operated with a 25MHz crystal and without additional components. Recommended operation for the crystal should be of a parallel resonant type and a load specification of  $C_L = 18\text{pF}$ . See Table 7 for complete crystal specifications.

If more precise frequency control is desired, the addition of capacitors from each of the XTAL\_IN and XTAL\_OUT pins to ground may be used to trim the frequency as shown in Figure 2.

TABLE 7. RECOMMENDED CRYSTAL SPECIFICATIONS

| Parameter                          | Value              |
|------------------------------------|--------------------|
| Crystal Cut                        | Fundamental AT Cut |
| Resonance                          | Parallel Resonance |
| Shunt Capacitance ( $C_L$ )        | 5-7pF              |
| Load Capacitance ( $C_O$ )         | 18pF               |
| Equivalent Series Resistance (ESR) | 20-50Ω             |

The crystal and optional trim capacitors should be located as close to the ICS841S01 XTAL\_IN and XTAL\_OUT pins as possible to avoid any board level parasitic.

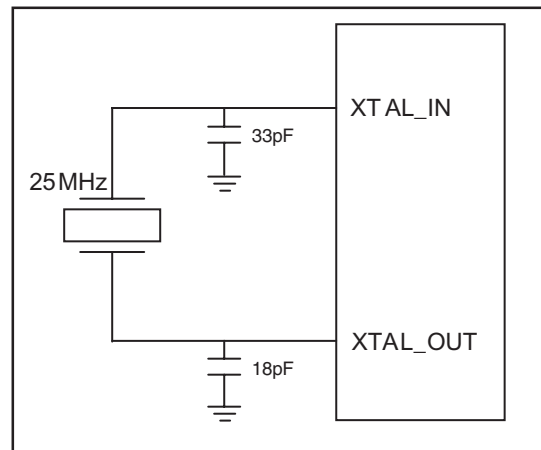


FIGURE 2. CRYSTAL OSCILLATOR WITH TRIM CAPACITOR

## RECOMMENDATIONS FOR UNUSED INPUT PINS

### INPUTS:

#### LVC MOS CONTROL PINS

All control pins have internal pull-ups or pull-downs; additional resistance is not required but can be added for additional protection. A 1kΩ resistor can be used.

## OUTPUT DRIVER CURRENT

The ICS841S01 outputs are HCSL current drive with the current being set with a resistor from  $I_{REF}$  to ground. For a 50Ω pc board trace, the drive current would typically be set with a  $R_{REF}$  of 475Ω which products an  $I_{REF}$  of 2.32mA. The  $I_{REF}$  is multiplied by a current mirror to an output drive of 6\*2.32mA or 13.92mA. See Figure 3 for current mirror and output drive details.

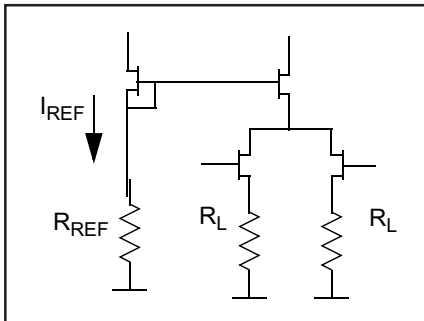
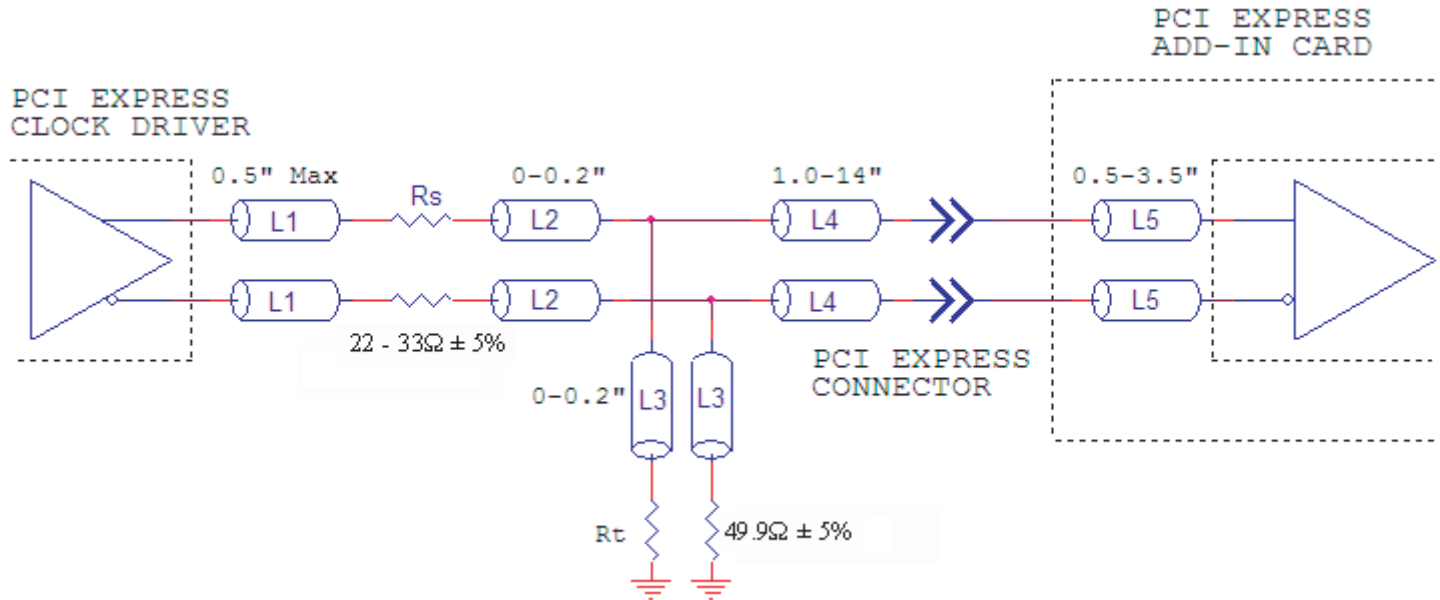


FIGURE 3. HCSL CURRENT MIRROR AND OUTPUT DRIVE

**RECOMMENDED TERMINATION**

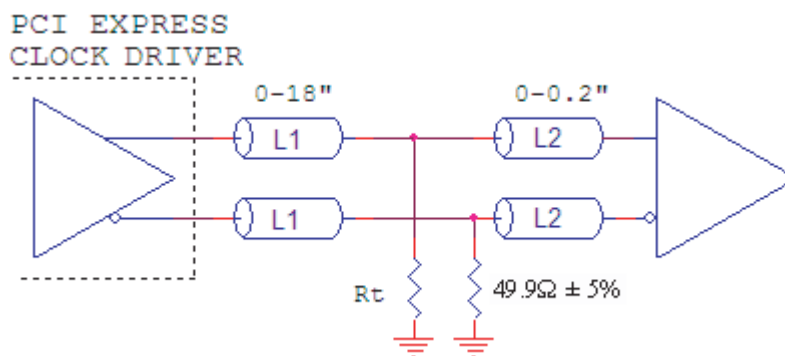
Figure 4A is the recommended termination for applications which require the receiver and driver to be on a separate PCB.



**FIGURE 4A. RECOMMENDED TERMINATION**

Figure 4B is the recommended termination for applications which require a point to point connection and contain the driver

and receiver on the same PCB. All traces should all be 50Ω impedance.



**FIGURE 4B. RECOMMENDED TERMINATION**

## RELIABILITY INFORMATION

TABLE 8.  $\theta_{JA}$  vs. AIR FLOW TABLE FOR 16 LEAD TSSOP

| $\theta_{JA}$ by Velocity (Linear Feet per Minute) |           |           |           |
|----------------------------------------------------|-----------|-----------|-----------|
|                                                    | 0         | 200       | 500       |
| Single-Layer PCB, JEDEC Standard Test Boards       | 137.1°C/W | 118.2°C/W | 106.8°C/W |
| Multi-Layer PCB, JEDEC Standard Test Boards        | 89.0°C/W  | 81.8°C/W  | 78.1°C/W  |

**NOTE:** Most modern PCB designs use multi-layered boards. The data in the second row pertains to most designs.

### TRANSISTOR COUNT

The transistor count for ICS841S02 is: 1874

PACKAGE OUTLINE - G SUFFIX FOR 16 LEAD TSSOP

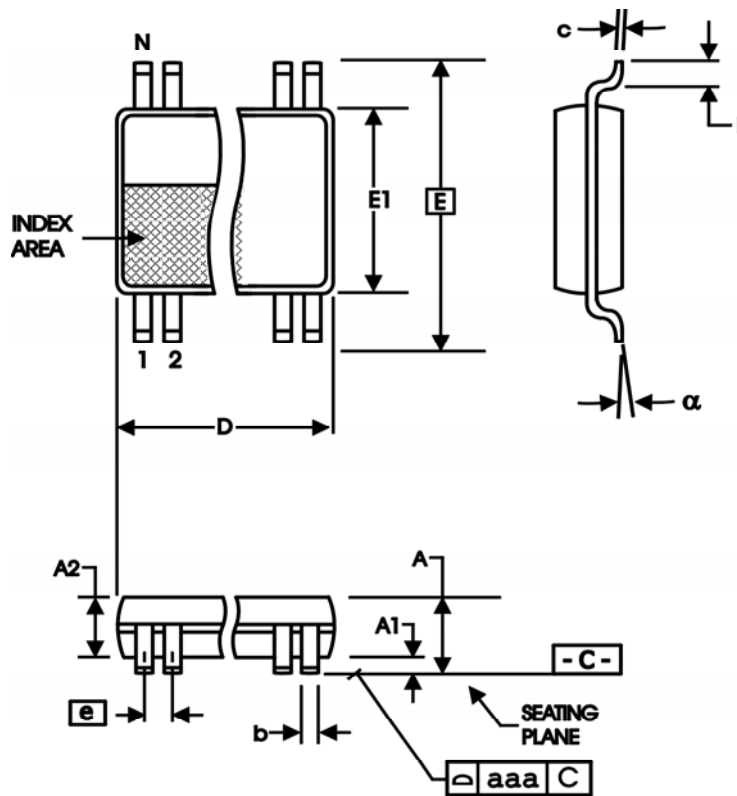


TABLE 9. PACKAGE DIMENSIONS

| SYMBOL | Millimeters |         |
|--------|-------------|---------|
|        | Minimum     | Maximum |
| N      | 16          |         |
| A      | --          | 1.20    |
| A1     | 0.05        | 0.15    |
| A2     | 0.80        | 1.05    |
| b      | 0.19        | 0.30    |
| c      | 0.09        | 0.20    |
| D      | 4.90        | 5.10    |
| E      | 6.40 BASIC  |         |
| E1     | 4.30        | 4.50    |
| e      | 0.65 BASIC  |         |
| L      | 0.45        | 0.75    |
| α      | 0°          | 8°      |
| aaa    | --          | 0.10    |

Reference Document: JEDEC Publication 95, MO-153

TABLE 10. ORDERING INFORMATION

| Part/Order Number | Marking  | Package                   | Shipping Packaging | Temperature |
|-------------------|----------|---------------------------|--------------------|-------------|
| ICS841S01BG       | 841S01BG | 16 Lead TSSOP             | tube               | 0°C to 70°C |
| ICS841S01BGT      | 841S01BG | 16 Lead TSSOP             | 2500 tape & reel   | 0°C to 70°C |
| ICS841S01BGLF     | 841S01BL | 16 Lead "Lead-Free" TSSOP | tube               | 0°C to 70°C |
| ICS841S01BGLFT    | 841S01BL | 16 Lead "Lead-Free" TSSOP | 2500 tape & reel   | 0°C to 70°C |

NOTE: Parts that are ordered with an "LF" suffix to the part number are the Pb-Free configuration and are RoHS compliant.

While the information presented herein has been checked for both accuracy and reliability, Integrated Device Technology, Incorporated (IDT) assumes no responsibility for either its use or for infringement of any patents or other rights of third parties, which would result from its use. No other circuits, patents, or licenses are implied. This product is intended for use in normal commercial and industrial applications. Any other applications such as those requiring high reliability or other extraordinary environmental requirements are not recommended without additional processing by IDT. IDT reserves the right to change any circuitry or specifications without notice. IDT does not authorize or warrant any IDT product for use in life support devices or critical medical instruments.

Innovate with IDT and accelerate your future networks. Contact:

[www.IDT.com](http://www.IDT.com)

**For Sales**

800-345-7015  
408-284-8200  
Fax: 408-284-2775

**For Tech Support**

netcom@idt.com  
480-763-2056

---

**Corporate Headquarters**

Integrated Device Technology, Inc.  
6024 Silver Creek Valley Road  
San Jose, CA 95138  
United States  
800 345 7015  
+408 284 8200 (outside U.S.)

**Asia Pacific and Japan**

Integrated Device Technology  
Singapore (1997) Pte. Ltd.  
Reg. No. 199707558G  
435 Orchard Road  
#20-03 Wisma Atria  
Singapore 238877  
+65 6 887 5505

**Europe**

IDT Europe, Limited  
321 Kingston Road  
Leatherhead, Surrey  
KT22 7TU  
England  
+44 (0) 1372 363 339  
Fax: +44 (0) 1372 378851