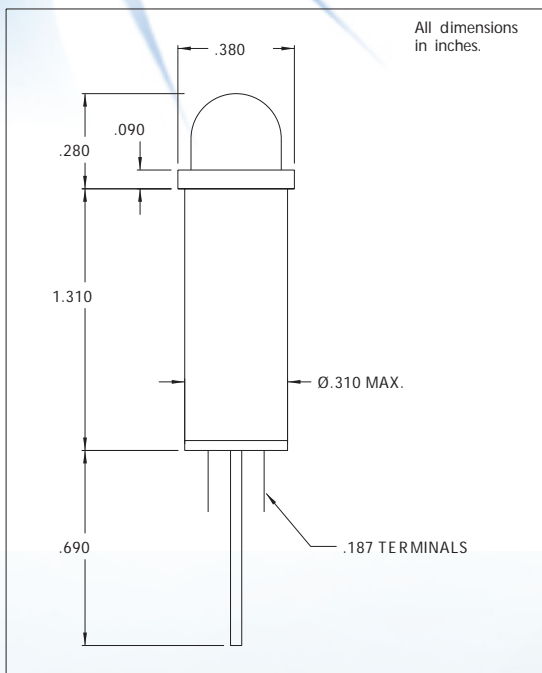


WORLDWIDE



2191QU Series Non-Relampable LED Solid-State Indicator Lights

DESCRIPTION AND FEATURES



Solid-state indicator lights complete with built-in current-limiting resistor and rectifier diode.

Mounting: Ø.310 MIN., supplied with push-on speednut SN1287.

Terminals: Quick-connect, tinned brass .187 x .020

Lens: Polycarbonate

Anode(+): Marked above terminal

Bezel: Polished stainless steel. For black finish add "X" after the series letter(s).

Housing: White Nylon

Lens Color	LED Solid State Indicator	
	Model No. (12V)	Model No. (24V)
Red	2191QU1-12V	2191QU1-24V
Green	2191QU5-12V	2191QU5-24V
Yellow	2191QU7-12V	2191QU7-24V
Internal Resistor (ohms)	390	1000

Lens Color	Incorporates LED*
Red	4304H1
Green	4304H5
Yellow	4304H7

* Also incorporates 1N4004 (400 P.I.V.) rectifier diode.

Voltage Table		
Nominal	VAC	VDC
12V	10 to 20	6 to 13.5
24V	22 to 32	12 to 24

To use 24V model: Beyond 32VAC add 30 ohms per volt; beyond 24 VDC add 50 ohms per volt. Use 1/2W resistor up to 50V; 1W resistor for 50V to 70V; 2W resistor for 75V to 125V. Do not use beyond 125V.



America:
CML Innovative Technologies, Inc.
147 Central Avenue
Hackensack, NJ 07601 -USA
Tel: 1-201-489-8989
Fax: 1-201-489-6911
e-mail: americas@cml-it.com

Europe:
CML Technologies GmbH & Co. KG
Robert-Bunsen-Str. 1
67098 Bad Dürkheim - GERMANY
Tel: +49 (0)6322 9567-0
Fax: +49 (0)6322 9567-88
e-mail: europe@cml-it.com

Asia:
CML Innovative Technologies, Inc.
61 Aida Street
Singapore 459975
Tel: (65)9630-5003
e-mail: asia@cml-it.com