


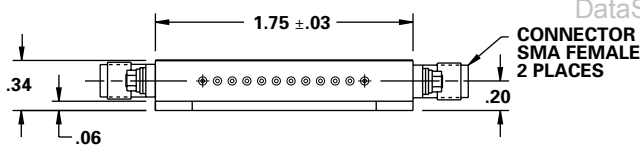
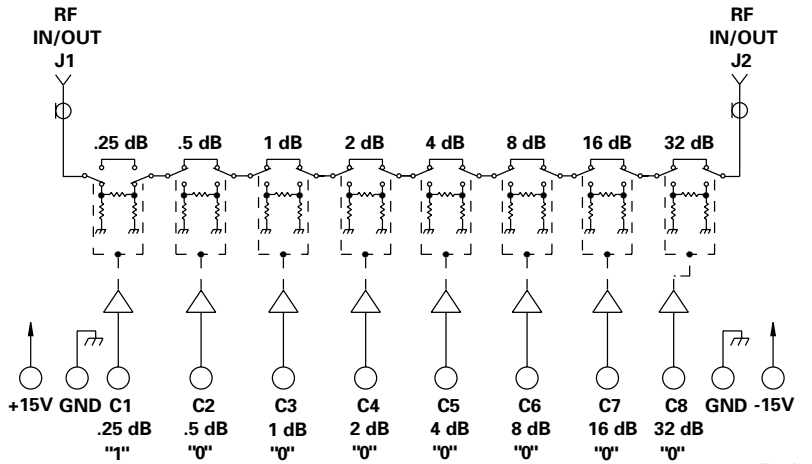
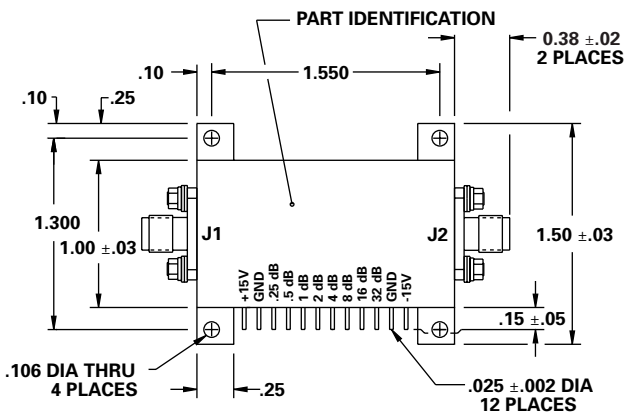
### FEATURES

- 600 - 800 MHz
- SMA Connectors
- Low Loss, 3.4 dB Typical
- Phase Compensated

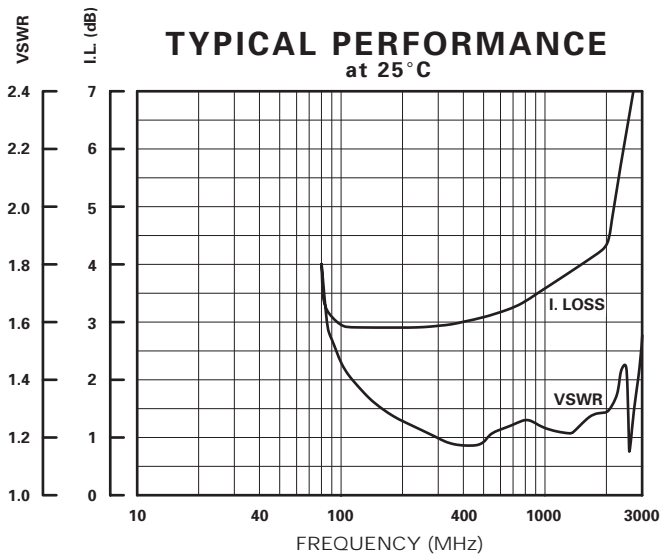
8 BIT


MODEL NO.  
DAT86198

## Attenuator 8 Section



.xx = .02  
.xxx = .010



### GUARANTEED PERFORMANCE

Parameter	Min	Typ	Max	Units	Conditions
Operating Frequency	600		800	MHz	
DC Current		12.7	20	mA	At +15 VDC Supply
		2.2	50	mA	At -15 VDC Supply
Control Type		TTL			8 Line Logic "0" = Thru Logic "1" = Attenuation
Control Current	High	±10	±100	µA	VIH = +2.7 V
	Low	±10	±100	µA	VIL = +0.5 V
Insertion Loss		3.4	4.5	dB	
Attenuation	LSB	.25	63.75	dB	.25, .5, 1, 2, 4, 8, 16, 32
	Range	0		dB	±2% of Attenuation
	Accuracy			dB	Setting in dB
Attenuation Vs. Phase		±1	±5.636	DEG	@ 700 MHz
VSWR		1.26/1	1.3/1		
Impedance		50		OHMS	
Switching Speed		50	100	nSec	50% TTL to 90% / 10% RF
Transition (Rise/Fall) Time		22		nSec	10% / 90% or 90% / 10% RF
Switching (Video) Transients		45		mV	Peak Value
Intercept Points	2nd	71		dBm	1150 MHz / 750 MHz
	3rd	50		dBm	575 MHz / 750 MHz
RF Power	Operate	+21	+18	dBm	0.1 dB Compression
	No Damage		+27	dBm	
Operating Temperature	-55	+25	+125	°C	TA