

High-Precision LDO 60mA C-MOS Voltage Regulator with Standby

■ GENERAL DESCRIPTION

The NJU7241 series are high precision $\pm 2\%$, 60mA output, C-MOS voltage regulators with standby function, which contains internal accurate voltage reference, error amplifier, control transistor, output voltage setting resistor, short current protection circuit and standby circuit.

The fixed regulation voltages of internal circuits are as following line-up.

The NJU7241 series packed MTP5 and suitable for battery-operated items, battery back-up systems, and especially control block of cellular phone system because of low operating current and low dropout voltage.

■ PACKAGE OUTLINE



NJU7241F

■ FEATURES

- High Precision Output Voltage $\pm 2\%$
- Low Operating Current 20 μ A typ.
- Low Standby Current 0.1 μ A typ.
- Low Dropout Voltage 0.2V typ. $V_{OUT}=3V$
- Ripple Rejection 55dB typ. @1kHz
- Standby Function
- Small Temperature Coefficient of Output Voltage
- Wide Operating Voltage Range
- Package Outline MTP-5
- C-MOS Technology

■ OUTPUT VOLTAGE LINE-UP

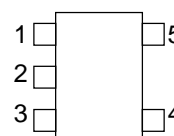
Output Voltage	Type	Output Voltage	Type
1.8V	NJU7241F18	3.4V	NJU7250F34
2.4V	NJU7241F24	3.5V	NJU7241F35
2.5V	NJU7241F25	3.6V	NJU7241F36
2.55V	NJU7241F255	4.0V	NJU7241F40
2.8V	NJU7241F28	4.5V	NJU7241F45
2.85V	NJU7241F285	5.0V	NJU7241F50
2.9V	NJU7241F29	5.9V	NJU7241F59
3.0V	NJU7241F30	6.0V	NJU7241F60
3.3V	NJU7250F33	-	-

Planning Voltage: 2.4V, 3.5V, 3.6V, 4.0V and 6.0V

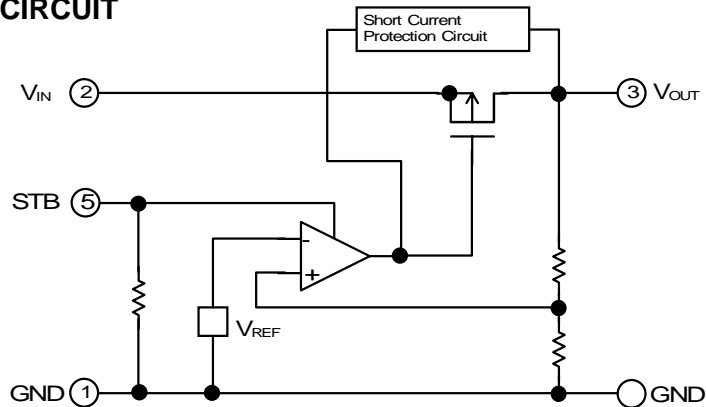
■ TERMINAL DESCRIPTION

No.	Symbol	Function
1	GND	GND
2	V_{IN}	Input
3	V_{OUT}	Output
4	NC	None Connection
5	STB	Standby: Internal Pull-down H: Regulation L: Standby, Output off

■ PIN CONFIGURATION



■ EQUIVALENT CIRCUIT



■ ABSOLUTE MAXIMUM RATINGS

(Ta=25°C)

Parameter	Symbol	Ratings	Unit
Input Voltage	V _{IN}	15	V
Input Voltage	V _{STB}	GND-0.3 ~ V _{IN} +0.3	V
Output Voltage	V _{OUT}	GND-0.3 ~ V _{IN} +0.3	V
Output Current	I _{OUT}	120	mA
Power Dissipation	P _D	200	mW
Operating Temperature	T _{opr}	-40 ~ +85	°C
Storage Temperature	T _{stg}	-40 ~ +125	°C

■ ELECTRICAL CHARACTERISTICS

•V_O=1.8V

(C_{IN}=0.1μF, C_O=10μF, Ta=25°C)

Parameter	Symbol	Condition	MIN.	TYP.	MAX.	Unit
Output Voltage	V _O	V _{IN} =2.8V, I _O =30mA	1.764	1.800	1.836	V
Dropout Voltage	ΔV _{IO}	I _O =15mA		0.2	0.3	V
Input Voltage	V _{IN}				14	V
Operating Current	I _{DD1}	V _{IN} =2.8V, V _{STB} =V _{IN} , No Load		20	40	μA
Standby Current	I _{DD2}	V _{IN} =2.8V, V _{STB} =GND		0.1	1.0	μA
Input Current	I _{STB}	V _{IN} =2.8V, V _{STB} =V _{IN}		0.56	1.12	μA
Load Regulation	ΔV _O /ΔI _O	V _{IN} =2.8V, 1mA ≤ I _O ≤ 60mA		200	300	mV
Line Regulation	ΔV _O /ΔV _{IN}	V _{IN} =2.8V~12V		0.10		%/V
Ripple Rejection	RR	V _{IN} =2.8V, e _{in} =0.5Vp-p, 1kHz		55		dB
H Level Input Voltage	V _{STBH}		1.5		V _{IN}	V
L Level Input Voltage	V _{STBL}		0		0.25	V

•V_O=2.4V

(C_{IN}=0.1μF, C_O=10μF, Ta=25°C)

Parameter	Symbol	Condition	MIN.	TYP.	MAX.	Unit
Output Voltage	V _O	V _{IN} =3.4V, I _O =30mA	2.352	2.400	2.448	V
Dropout Voltage	ΔV _{IO}	I _O =30mA		0.2	0.3	V
Input Voltage	V _{IN}				14	V
Operating Current	I _{DD1}	V _{IN} =3.4V, V _{STB} =V _{IN} , No Load		20	40	μA
Standby Current	I _{DD2}	V _{IN} =3.4V, V _{STB} =GND		0.1	1.0	μA
Input Current	I _{STB}	V _{IN} =3.4V, V _{STB} =V _{IN}		0.9	1.8	μA
Load Regulation	ΔV _O /ΔI _O	V _{IN} =3.4V, 1mA ≤ I _O ≤ 60mA		200	300	mV
Line Regulation	ΔV _O /ΔV _{IN}	V _{IN} =3.4V~12V		0.10		%/V
Ripple Rejection	RR	V _{IN} =3.4V, e _{in} =0.5Vp-p, 1kHz		55		dB
H Level Input Voltage	V _{STBH}		1.5		V _{IN}	V
L Level Input Voltage	V _{STBL}		0		0.25	V

• $V_O=2.5V$

($C_{IN}=0.1\mu F$, $C_O=10\mu F$, $T_a=25^\circ C$)

Parameter	Symbol	Condition	MIN.	TYP.	MAX.	Unit
Output Voltage	V_O	$V_{IN}=3.5V$, $I_O=30mA$	2.450	2.500	2.550	V
Dropout Voltage	ΔV_{IO}	$I_O=50mA$		0.2	0.3	V
Input Voltage	V_{IN}				14	V
Operating Current	I_{DD1}	$V_{IN}=3.5V$, $V_{STB}=V_{IN}$, No Load		20	40	μA
Standby Current	I_{DD2}	$V_{IN}=3.5V$, $V_{STB}=GND$		0.1	1.0	μA
Input Current	I_{STB}	$V_{IN}=3.5V$, $V_{STB}=V_{IN}$		1.0	2.0	μA
Load Regulation	$\Delta V_O/\Delta I_O$	$V_{IN}=3.5V$, $1mA \leq I_O \leq 60mA$		35	120	mV
Line Regulation	$\Delta V_O/\Delta V_{IN}$	$V_{IN}=3.5V \sim 12V$		0.10		%/V
Ripple Rejection	RR	$V_{IN}=3.5V$, $e_{in}=0.5Vp-p$, 1kHz		55		dB
H Level Input Voltage	V_{STBH}		1.5		V_{IN}	V
L Level Input Voltage	V_{STBL}		0		0.25	V

• $V_O=2.55V$

($C_{IN}=0.1\mu F$, $C_O=10\mu F$, $T_a=25^\circ C$)

Parameter	Symbol	Condition	MIN.	TYP.	MAX.	Unit
Output Voltage	V_O	$V_{IN}=3.55V$, $I_O=30mA$	2.499	2.550	2.601	V
Dropout Voltage	ΔV_{IO}	$I_O=50mA$		0.2	0.3	V
Input Voltage	V_{IN}				14	V
Operating Current	I_{DD1}	$V_{IN}=3.55V$, $V_{STB}=V_{IN}$, No Load		20	40	μA
Standby Current	I_{DD2}	$V_{IN}=3.55V$, $V_{STB}=GND$		0.1	1.0	μA
Input Current	I_{STB}	$V_{IN}=3.55V$, $V_{STB}=V_{IN}$		1.05	2.1	μA
Load Regulation	$\Delta V_O/\Delta I_O$	$V_{IN}=3.55V$, $1mA \leq I_O \leq 60mA$		35	120	mV
Line Regulation	$\Delta V_O/\Delta V_{IN}$	$V_{IN}=3.55V \sim 12V$		0.10		%/V
Ripple Rejection	RR	$V_{IN}=3.55V$, $e_{in}=0.5Vp-p$, 1kHz		55		dB
H Level Input Voltage	V_{STBH}		1.5		V_{IN}	V
L Level Input Voltage	V_{STBL}		0		0.25	V

• $V_O=2.8V$

($C_{IN}=0.1\mu F$, $C_O=10\mu F$, $T_a=25^\circ C$)

Parameter	Symbol	Condition	MIN.	TYP.	MAX.	Unit
Output Voltage	V_O	$V_{IN}=3.8V$, $I_O=30mA$	2.744	2.800	2.856	V
Dropout Voltage	ΔV_{IO}	$I_O=50mA$		0.2	0.3	V
Input Voltage	V_{IN}				14	V
Operating Current	I_{DD1}	$V_{IN}=3.8V$, $V_{STB}=V_{IN}$, No Load		20	40	μA
Standby Current	I_{DD2}	$V_{IN}=3.8V$, $V_{STB}=GND$		0.1	1.0	μA
Input Current	I_{STB}	$V_{IN}=3.8V$, $V_{STB}=V_{IN}$		1.3	2.6	μA
Load Regulation	$\Delta V_O/\Delta I_O$	$V_{IN}=3.8V$, $1mA \leq I_O \leq 60mA$		35	120	mV
Line Regulation	$\Delta V_O/\Delta V_{IN}$	$V_{IN}=3.8V \sim 12V$		0.10		%/V
Ripple Rejection	RR	$V_{IN}=3.8V$, $e_{in}=0.5Vp-p$, 1kHz		55		dB
H Level Input Voltage	V_{STBH}		1.5		V_{IN}	V
L Level Input Voltage	V_{STBL}		0		0.25	V

• $V_O=2.85V$

($C_{IN}=0.1\mu F$, $C_O=10\mu F$, $T_a=25^\circ C$)

Parameter	Symbol	Condition	MIN.	TYP.	MAX.	Unit
Output Voltage	V_O	$V_{IN}=3.85V$, $I_O=30mA$	2.793	2.850	2.907	V
Dropout Voltage	ΔV_{IO}	$I_O=50mA$		0.2	0.3	V
Input Voltage	V_{IN}				14	V
Operating Current	I_{DD1}	$V_{IN}=3.85V$, $V_{STB}=V_{IN}$, No Load		20	40	μA
Standby Current	I_{DD2}	$V_{IN}=3.85V$, $V_{STB}=GND$		0.1	1.0	μA
Input Current	I_{STB}	$V_{IN}=3.85V$, $V_{STB}=V_{IN}$		1.35	2.70	μA
Load Regulation	$\Delta V_O/\Delta I_O$	$V_{IN}=3.85V$, $1mA \leq I_O \leq 60mA$		35	120	mV
Line Regulation	$\Delta V_O/\Delta V_{IN}$	$V_{IN}=3.85V \sim 12V$		0.10		%/V
Ripple Rejection	RR	$V_{IN}=3.85V$, $e_{in}=0.5Vp-p$, 1kHz		55		dB
H Level Input Voltage	V_{STBH}		1.5		V_{IN}	V
L Level Input Voltage	V_{STBL}		0		0.25	V

• $V_O=2.9V$

($C_{IN}=0.1\mu F$, $C_O=10\mu F$, $T_a=25^\circ C$)

Parameter	Symbol	Condition	MIN.	TYP.	MAX.	Unit
Output Voltage	V_O	$V_{IN}=3.9V$, $I_O=30mA$	2.842	2.900	2.958	V
Dropout Voltage	ΔV_{IO}	$I_O=50mA$		0.2	0.3	V
Input Voltage	V_{IN}				14	V
Operating Current	I_{DD1}	$V_{IN}=3.9V$, $V_{STB}=V_{IN}$, No Load		20	40	μA
Standby Current	I_{DD2}	$V_{IN}=3.9V$, $V_{STB}=GND$		0.1	1.0	μA
Input Current	I_{STB}	$V_{IN}=3.9V$, $V_{STB}=V_{IN}$		1.4	2.8	μA
Load Regulation	$\Delta V_O/\Delta I_O$	$V_{IN}=3.9V$, $1mA \leq I_O \leq 60mA$		35	120	mV
Line Regulation	$\Delta V_O/\Delta V_{IN}$	$V_{IN}=3.9V \sim 12V$		0.10		%/V
Ripple Rejection	RR	$V_{IN}=3.9V$, $e_{in}=0.5Vp-p$, 1kHz		55		dB
H Level Input Voltage	V_{STBH}		1.5		V_{IN}	V
L Level Input Voltage	V_{STBL}		0		0.25	V

• $V_O=3.0V$

($C_{IN}=0.1\mu F$, $C_O=10\mu F$, $T_a=25^\circ C$)

Parameter	Symbol	Condition	MIN.	TYP.	MAX.	Unit
Output Voltage	V_O	$V_{IN}=4.0V$, $I_O=30mA$	2.940	3.000	3.060	V
Dropout Voltage	ΔV_{IO}	$I_O=60mA$		0.2	0.3	V
Input Voltage	V_{IN}				14	V
Operating Current	I_{DD1}	$V_{IN}=4.0V$, $V_{STB}=V_{IN}$, No Load		20	40	μA
Standby Current	I_{DD2}	$V_{IN}=4.0V$, $V_{STB}=GND$		0.1	1.0	μA
Input Current	I_{STB}	$V_{IN}=4.0V$, $V_{STB}=V_{IN}$		1.5	3.0	μA
Load Regulation	$\Delta V_O/\Delta I_O$	$V_{IN}=4.0V$, $1mA \leq I_O \leq 60mA$		35	120	mV
Line Regulation	$\Delta V_O/\Delta V_{IN}$	$V_{IN}=4.0V \sim 12V$		0.10		%/V
Ripple Rejection	RR	$V_{IN}=4.0V$, $e_{in}=0.5Vp-p$, 1kHz		55		dB
H Level Input Voltage	V_{STBH}		1.5		V_{IN}	V
L Level Input Voltage	V_{STBL}		0		0.25	V

• $V_O=3.3V$

($C_{IN}=0.1\mu F$, $C_O=10\mu F$, $T_a=25^\circ C$)

Parameter	Symbol	Condition	MIN.	TYP.	MAX.	Unit
Output Voltage	V_O	$V_{IN}=4.3V$, $I_O=30mA$	3.234	3.300	3.366	V
Dropout Voltage	ΔV_{IO}	$I_O=60mA$		0.2	0.3	V
Input Voltage	V_{IN}				14	V
Operating Current	I_{DD1}	$V_{IN}=4.3V$, $V_{STB}=V_{IN}$, No Load		20	40	μA
Standby Current	I_{DD2}	$V_{IN}=4.3V$, $V_{STB}=GND$		0.1	1.0	μA
Input Current	I_{STB}	$V_{IN}=4.3V$, $V_{STB}=V_{IN}$		1.8	3.6	μA
Load Regulation	$\Delta V_O/\Delta I_O$	$V_{IN}=4.3V$, $1mA \leq I_O \leq 60mA$		35	120	mV
Line Regulation	$\Delta V_O/\Delta V_{IN}$	$V_{IN}=4.3V \sim 12V$		0.10		%/V
Ripple Rejection	RR	$V_{IN}=4.3V$, $e_{in}=0.5Vp-p$, 1kHz		55		dB
H Level Input Voltage	V_{STBH}		1.5		V_{IN}	V
L Level Input Voltage	V_{STBL}		0		0.25	V

• $V_O=3.4V$

($C_{IN}=0.1\mu F$, $C_O=10\mu F$, $T_a=25^\circ C$)

Parameter	Symbol	Condition	MIN.	TYP.	MAX.	Unit
Output Voltage	V_O	$V_{IN}=4.4V$, $I_O=30mA$	3.332	3.400	3.468	V
Dropout Voltage	ΔV_{IO}	$I_O=60mA$		0.2	0.3	V
Input Voltage	V_{IN}				14	V
Operating Current	I_{DD1}	$V_{IN}=4.4V$, $V_{STB}=V_{IN}$, No Load		20	40	μA
Standby Current	I_{DD2}	$V_{IN}=4.4V$, $V_{STB}=GND$		0.1	1.0	μA
Input Current	I_{STB}	$V_{IN}=4.4V$, $V_{STB}=V_{IN}$		1.9	3.8	μA
Load Regulation	$\Delta V_O/\Delta I_O$	$V_{IN}=4.4V$, $1mA \leq I_O \leq 60mA$		35	120	mV
Line Regulation	$\Delta V_O/\Delta V_{IN}$	$V_{IN}=4.4V \sim 12V$		0.10		%/V
Ripple Rejection	RR	$V_{IN}=4.4V$, $e_{in}=0.5Vp-p$, 1kHz		55		dB
H Level Input Voltage	V_{STBH}		1.5		V_{IN}	V
L Level Input Voltage	V_{STBL}		0		0.25	V

• $V_O=3.5V$

($C_{IN}=0.1\mu F$, $C_O=10\mu F$, $T_a=25^\circ C$)

Parameter	Symbol	Condition	MIN.	TYP.	MAX.	Unit
Output Voltage	V_O	$V_{IN}=4.5V$, $I_O=30mA$	3.430	3.500	3.570	V
Dropout Voltage	ΔV_{IO}	$I_O=60mA$		0.2	0.3	V
Input Voltage	V_{IN}				14	V
Operating Current	I_{DD1}	$V_{IN}=4.5V$, $V_{STB}=V_{IN}$, No Load		20	40	μA
Standby Current	I_{DD2}	$V_{IN}=4.5V$, $V_{STB}=GND$		0.1	1.0	μA
Input Current	I_{STB}	$V_{IN}=4.5V$, $V_{STB}=V_{IN}$		2.0	4.0	μA
Load Regulation	$\Delta V_O/\Delta I_O$	$V_{IN}=4.5V$, $1mA \leq I_O \leq 60mA$		35	120	mV
Line Regulation	$\Delta V_O/\Delta V_{IN}$	$V_{IN}=4.5V \sim 12V$		0.10		%/V
Ripple Rejection	RR	$V_{IN}=4.5V$, $e_{in}=0.5Vp-p$, 1kHz		55		dB
H Level Input Voltage	V_{STBH}		1.5		V_{IN}	V
L Level Input Voltage	V_{STBL}		0		0.25	V

• $V_O=3.6V$

($C_{IN}=0.1\mu F$, $C_O=10\mu F$, $T_a=25^\circ C$)

Parameter	Symbol	Condition	MIN.	TYP.	MAX.	Unit
Output Voltage	V_O	$V_{IN}=4.6V$, $I_O=30mA$	3.528	3.600	3.672	V
Dropout Voltage	ΔV_{IO}	$I_O=60mA$		0.2	0.3	V
Input Voltage	V_{IN}				14	V
Operating Current	I_{DD1}	$V_{IN}=4.6V$, $V_{STB}=V_{IN}$, No Load		20	40	μA
Standby Current	I_{DD2}	$V_{IN}=4.6V$, $V_{STB}=GND$		0.1	1.0	μA
Input Current	I_{STB}	$V_{IN}=4.6V$, $V_{STB}=V_{IN}$		2.1	4.2	μA
Load Regulation	$\Delta V_O/\Delta I_O$	$V_{IN}=4.6V$, $1mA \leq I_O \leq 60mA$		35	120	mV
Line Regulation	$\Delta V_O/\Delta V_{IN}$	$V_{IN}=4.6V \sim 12V$		0.10		%/V
Ripple Rejection	RR	$V_{IN}=4.6V$, $e_{in}=0.5Vp-p$, 1kHz		55		dB
H Level Input Voltage	V_{STBH}		1.5		V_{IN}	V
L Level Input Voltage	V_{STBL}		0		0.25	V

• $V_O=4.0V$

($C_{IN}=0.1\mu F$, $C_O=10\mu F$, $T_a=25^\circ C$)

Parameter	Symbol	Condition	MIN.	TYP.	MAX.	Unit
Output Voltage	V_O	$V_{IN}=5.0V$, $I_O=30mA$	3.920	4.000	4.080	V
Dropout Voltage	ΔV_{IO}	$I_O=60mA$		0.2	0.3	V
Input Voltage	V_{IN}				14	V
Operating Current	I_{DD1}	$V_{IN}=5.0V$, $V_{STB}=V_{IN}$, No Load		20	40	μA
Standby Current	I_{DD2}	$V_{IN}=5.0V$, $V_{STB}=GND$		0.1	1.0	μA
Input Current	I_{STB}	$V_{IN}=5.0V$, $V_{STB}=V_{IN}$		2.5	5.0	μA
Load Regulation	$\Delta V_O/\Delta I_O$	$V_{IN}=5.0V$, $1mA \leq I_O \leq 60mA$		35	120	mV
Line Regulation	$\Delta V_O/\Delta V_{IN}$	$V_{IN}=5.0V \sim 12V$		0.10		%/V
Ripple Rejection	RR	$V_{IN}=5.0V$, $e_{in}=0.5Vp-p$, 1kHz		55		dB
H Level Input Voltage	V_{STBH}		1.5		V_{IN}	V
L Level Input Voltage	V_{STBL}		0		0.25	V

• $V_O=4.5V$

($C_{IN}=0.1\mu F$, $C_O=10\mu F$, $T_a=25^\circ C$)

Parameter	Symbol	Condition	MIN.	TYP.	MAX.	Unit
Output Voltage	V_O	$V_{IN}=5.5V$, $I_O=30mA$	4.410	4.500	4.590	V
Dropout Voltage	ΔV_{IO}	$I_O=60mA$		0.2	0.3	V
Input Voltage	V_{IN}				14	V
Operating Current	I_{DD1}	$V_{IN}=5.5V$, $V_{STB}=V_{IN}$, No Load		20	40	μA
Standby Current	I_{DD2}	$V_{IN}=5.5V$, $V_{STB}=GND$		0.1	1.0	μA
Input Current	I_{STB}	$V_{IN}=5.5V$, $V_{STB}=V_{IN}$		3.0	6.0	μA
Load Regulation	$\Delta V_O/\Delta I_O$	$V_{IN}=5.5V$, $1mA \leq I_O \leq 60mA$		35	120	mV
Line Regulation	$\Delta V_O/\Delta V_{IN}$	$V_{IN}=5.5V \sim 12V$		0.10		%/V
Ripple Rejection	RR	$V_{IN}=5.5V$, $e_{in}=0.5Vp-p$, 1kHz		55		dB
H Level Input Voltage	V_{STBH}		1.5		V_{IN}	V
L Level Input Voltage	V_{STBL}		0		0.25	V

• $V_O=5.0V$

($C_{IN}=0.1\mu F$, $C_O=10\mu F$, $T_a=25^\circ C$)

Parameter	Symbol	Condition	MIN.	TYP.	MAX.	Unit
Output Voltage	V_O	$V_{IN}=6.0V$, $I_O=30mA$	4.900	5.000	5.100	V
Dropout Voltage	ΔV_{IO}	$I_O=60mA$		0.2	0.3	V
Input Voltage	V_{IN}				14	V
Operating Current	I_{DD1}	$V_{IN}=6.0V$, $V_{STB}=V_{IN}$, No Load		20	40	μA
Standby Current	I_{DD2}	$V_{IN}=6.0V$, $V_{STB}=GND$		0.1	1.0	μA
Input Current	I_{STB}	$V_{IN}=6.0V$, $V_{STB}=V_{IN}$		3.5	7.0	μA
Load Regulation	$\Delta V_O/\Delta I_O$	$V_{IN}=6.0V$, $1mA \leq I_O \leq 60mA$		35	120	mV
Line Regulation	$\Delta V_O/\Delta V_{IN}$	$V_{IN}=6.0V \sim 12V$		0.10		%/V
Ripple Rejection	RR	$V_{IN}=6.0V$, $e_{in}=0.5Vp-p$, 1kHz		55		dB
H Level Input Voltage	V_{STBH}		1.5		V_{IN}	V
L Level Input Voltage	V_{STBL}		0		0.25	V

• $V_O=5.9V$

($C_{IN}=0.1\mu F$, $C_O=10\mu F$, $T_a=25^\circ C$)

Parameter	Symbol	Condition	MIN.	TYP.	MAX.	Unit
Output Voltage	V_O	$V_{IN}=6.9V$, $I_O=30mA$	5.782	5.900	6.018	V
Dropout Voltage	ΔV_{IO}	$I_O=60mA$		0.2	0.3	V
Input Voltage	V_{IN}				14	V
Operating Current	I_{DD1}	$V_{IN}=6.9V$, $V_{STB}=V_{IN}$, No Load		20	40	μA
Standby Current	I_{DD2}	$V_{IN}=6.9V$, $V_{STB}=GND$		0.1	1.0	μA
Input Current	I_{STB}	$V_{IN}=6.9V$, $V_{STB}=V_{IN}$		4.4	8.8	μA
Load Regulation	$\Delta V_O/\Delta I_O$	$V_{IN}=6.9V$, $1mA \leq I_O \leq 60mA$		35	120	mV
Line Regulation	$\Delta V_O/\Delta V_{IN}$	$V_{IN}=6.9V \sim 12V$		0.10		%/V
Ripple Rejection	RR	$V_{IN}=6.9V$, $e_{in}=0.5Vp-p$, 1kHz		55		dB
H Level Input Voltage	V_{STBH}		1.5		V_{IN}	V
L Level Input Voltage	V_{STBL}		0		0.25	V

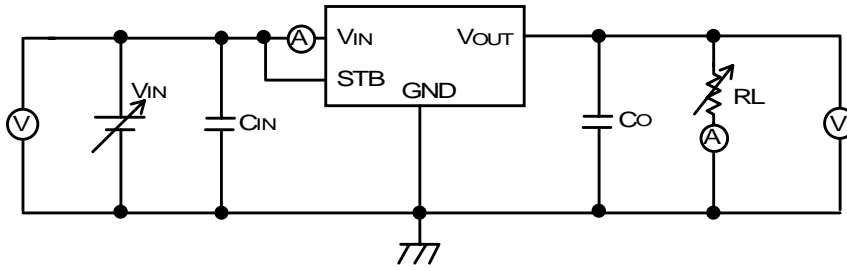
• $V_O=6.0V$

($C_{IN}=0.1\mu F$, $C_O=10\mu F$, $T_a=25^\circ C$)

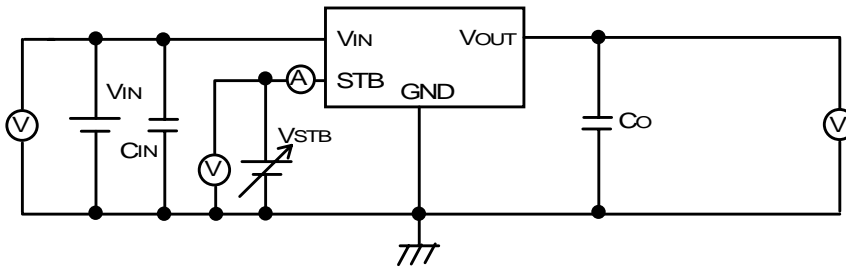
Parameter	Symbol	Condition	MIN.	TYP.	MAX.	Unit
Output Voltage	V_O	$V_{IN}=7.0V$, $I_O=30mA$	5.880	6.000	6.120	V
Dropout Voltage	ΔV_{IO}	$I_O=60mA$		0.2	0.3	V
Input Voltage	V_{IN}				14	V
Operating Current	I_{DD1}	$V_{IN}=7.0V$, $V_{STB}=V_{IN}$, No Load		20	40	μA
Standby Current	I_{DD2}	$V_{IN}=7.0V$, $V_{STB}=GND$		0.1	1.0	μA
Input Current	I_{STB}	$V_{IN}=7.0V$, $V_{STB}=V_{IN}$		4.5	9.0	μA
Load Regulation	$\Delta V_O/\Delta I_O$	$V_{IN}=7.0V$, $1mA \leq I_O \leq 60mA$		35	120	mV
Line Regulation	$\Delta V_O/\Delta V_{IN}$	$V_{IN}=7.0V \sim 12V$		0.10		%/V
Ripple Rejection	RR	$V_{IN}=7.0V$, $e_{in}=0.5Vp-p$, 1kHz		55		dB
H Level Input Voltage	V_{STBH}		1.5		V_{IN}	V
L Level Input Voltage	V_{STBL}		0		0.25	V

■ MEASUREMENT CIRCUIT

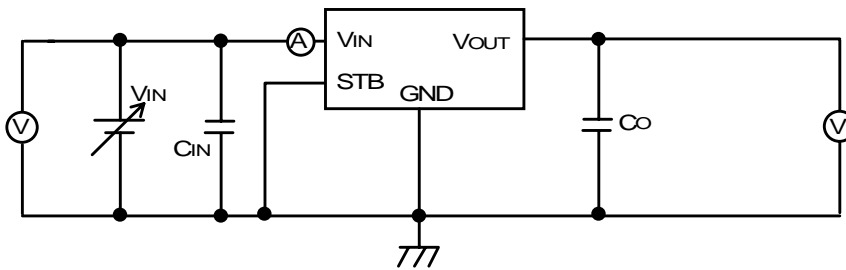
- Standard Test Circuit



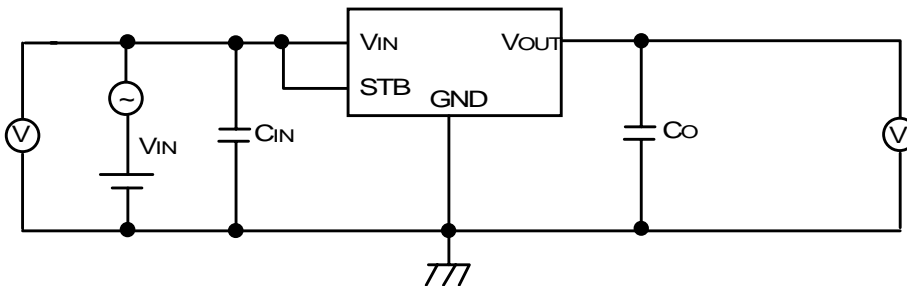
- Standby Input Voltage Test Circuit



- Standby Input Current Test Circuit



- Ripple Rejection Test Circuit



[CAUTION]
 The specifications on this databook are only given for information, without any guarantee as regards either mistakes or omissions. The application circuits in this databook are described only to show representative usages of the product and not intended for the guarantee or permission of any right including the industrial rights.