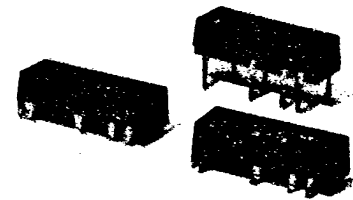


SERIES 623 5-TAPS 14 PIN H-CMOS DIGITAL DELAY MODULES

- 14 Pin DIP and Surface Mount Packages • H-Cmos Logic • 5 Equally Spaced Taps

Specifications:

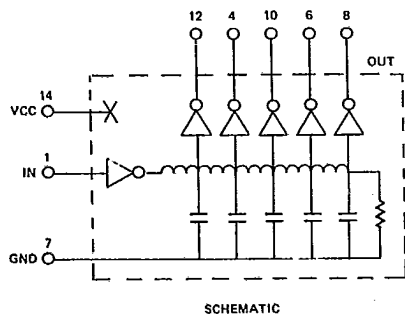
- Supply Voltage : 4.75 to 5.25VDC
- Logic 1 Input Voltage : 3.2V
- Logic 0 Input Voltage : 0.9V
- Logic 1 Output Voltage : 4.5V
- Logic 0 Output Voltage : 0.1V
- Input Current : 1μA Max
- Supply Current : ICCH = 5mA, ICCL = 20μA
- Fan-Out : 10 LSTTL Loads Min
- Rise-Time : 8NS TYP. (measured from 0.8V to 2.0V)
- Operating Temp Range : 0°C to 70°C
- Temperature Coefficient : 300 PPM/°C



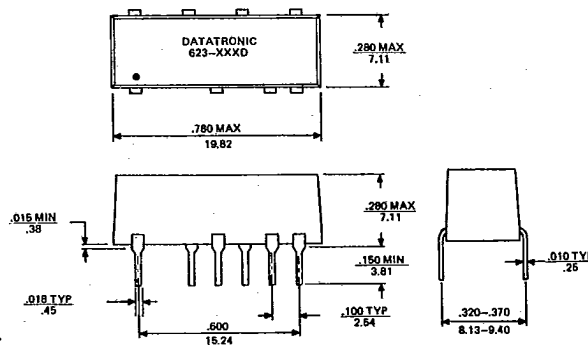
Electrical Specifications at 25°C (Measured with no Loads on Taps)

Part Number			Total Delay Nanosecond (1)	Tap To Tap Delay NSEC (1)
Type D	Type W	Type J		
623-4D*	623-4W*	623-4J*	4±1	1±0.5
623-5D*	623-5W*	623-5J*	5±1	1.2±0.5
623-6D*	623-6W*	623-6J*	6±1	1.5±0.5
623-8D*	623-8W*	623-8J*	8±2	2±0.5
623-10D*	623-10W*	623-10J*	10±2	2.5±0.5
623-12D*	623-12W*	623-12J*	12±2	3±0.5
623-16D*	623-16W*	623-16J*	16±2	4±0.6
623-25D	623-25W	623-25J	25±2	5±0.8
623-30D	623-30W	623-30J	30±2	6±1
623-35D	623-35W	623-35J	35±2	7±1
623-40D	623-40W	623-40J	40±2	8±1
623-45D	623-45W	623-45J	45±2.2	9±1
623-50D	623-50W	623-50J	50±2.5	10±2
623-60D	623-60W	623-60J	60±3	12±2
623-75D	623-75W	623-75J	75±3.5	15±2
623-100D	623-100W	623-100J	100±5.0	20±2
623-125D	623-125W	623-125J	125±5.5	25±2
623-150D	623-150W	623-150J	150±6.0	30±3
623-175D	623-175W	623-175J	175±8.7	35±3.5
623-200D	623-200W	623-200J	200±10	40±4
623-250D	623-250W	623-250J	250±12.5	50±5
623-300D	623-300W	623-300J	300±15	60±6
623-350D	623-350W	623-350J	350±17.5	70±7
623-400D	623-400W	623-400J	400±20	80±8
623-500D	623-500W	623-500J	500±25	100±10

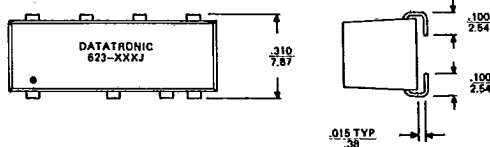
Note: (1) Measured at 1.5v level leading edge.
*Time delay measured with respect to 1st tap.



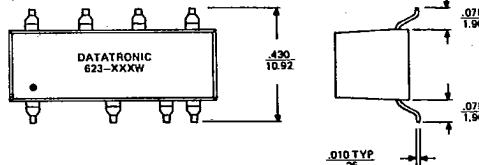
TYPE D



TYPE J



TYPE W



INCHES .XXX ± .010
MILLIMETERS .XX ± .25