

Ceramic Disc Capacitors, Class 2

DESIGN:

Disc capacitors with epoxy coating

RATED VOLTAGE U_R :

500V_{DC}

DIELECTRIC STRENGTH BETWEEN LEADS:

Component test

1250V_{DC}, 2s

DISSIPATION FACTOR $\tan \delta$:

$\leq 30 \cdot 10^{-3}$

INSULATION RESISTANCE R_{IS} :

$\geq 5 \cdot 10^9 \Omega$

MARKING:

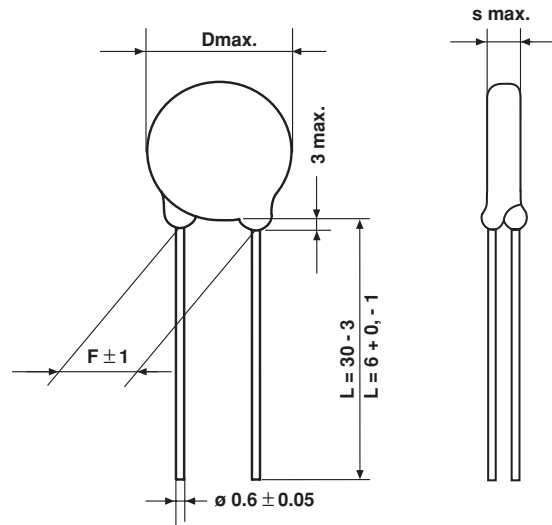
Capacitance value	Clear text
Capacitance tolerance	with letter code
Ceramic dielectric	with letter code (see General Information)

CATEGORY TEMPERATURE RANGE ϑ_A :

(- 40 to + 85°C)

CLIMATIC CATEGORY ACC. TO EN 60068-1:

40 / 085 / 21



• Dimensions in mm

COATING:

Epoxy dipped, insulating, flame retarding acc. to UL 94V-0

TEMPERATURE CHARACTERISTIC OF CAPACITANCE:

See diagrams in General Information

TAPING AND SPECIAL LEAD CONFIGURATIONS:

On request

ORDERING INFORMATION

HSE	471	K	AQ	BF0	K
MODEL	CAPACITANCE VALUE	TOLERANCE	RATED VOLTAGE	LEAD CONFIGURATION	INTERNAL CODE



CERAMIC DIELECTRIC: K 2000		CERAMIC DIELECTRIC: K 4000							
CERAMIC CODE: Z		CERAMIC CODE: E							
CAPACITANCE TOLERANCE: ± 10%, ± 20%		CAPACITANCE TOLERANCE: + 50 - 20%, (± 20%)**							
RATED VOLTAGE = 500V _{DC}									
CAP. VALUE (pF)	D x s (MAX) (mm)	F ± 1* (mm)	ORDERING CODE	D x s (MAX) (mm)	F ± 1* (mm)	ORDERING CODE			
10	6.0 x 3.0	5	HSZ 100□AQ□□□ K	6.0 x 3.0	5				
12	6.0 x 3.0		HSZ 120□AQ□□□ K						
15	6.0 x 3.0		HSZ 150□AQ□□□ K						
18	6.0 x 3.0		HSZ 180□AQ□□□ K						
22	6.0 x 3.0		HSZ 220□AQ□□□ K						
27	6.0 x 3.0		HSZ 270□AQ□□□ K						
33	6.0 x 3.0		HSZ 330□AQ□□□ K						
39	6.0 x 3.0		HSZ 390□AQ□□□ K						
47	6.0 x 3.0		HSZ 470□AQ□□□ K						
56	6.0 x 3.0		HSZ 560□AQ□□□ K						
68	6.0 x 3.0		HSZ 680□AQ□□□ K						
82	6.0 x 3.0		HSZ 820□AQ□□□ K						
100	6.0 x 3.0		HSZ 101□AQ□□□ K						
120	6.0 x 3.0		HSZ 121□AQ□□□ K						
150	6.0 x 3.0		HSZ 151□AQ□□□ K						
180	6.0 x 3.0		HSZ 181□AQ□□□ K						
220	6.0 x 3.0		HSZ 221□AQ□□□ K						
270	6.0 x 3.0		HSZ 271□AQ□□□ K						
330	6.0 x 3.0		HSZ 331□AQ□□□ K						
390	6.0 x 3.0		HSZ 391□AQ□□□ K						
470	6.0 x 3.0	HSZ 471□AQ□□□ K	6.0 x 3.0			HSE 471□AQ□□□ K			
560	7.0 x 3.0	7.5	HSZ 561□AQ□□□ K	11.0 x 3.0	7.5				
680	7.0 x 3.0		HSZ 681□AQ□□□ K				6.0 x 3.0		HSE 681□AQ□□□ K
820	7.0 x 3.0		HSZ 821□AQ□□□ K						
1000	7.0 x 3.0		HSZ 102□AQ□□□ K				6.0 x 3.0		HSE 102□AQ□□□ K
1200	8.0 x 3.0		HSZ 122□AQ□□□ K						
1500	8.0 x 3.0		HSZ 152□AQ□□□ K				7.0 x 3.0		HSE 152□AQ□□□ K
1800	8.0 x 3.0		HSZ 182□AQ□□□ K						
2200	9.0 x 3.0		HSZ 222□AQ□□□ K				7.0 x 3.0		HSE 222□AQ□□□ K
2700	11.0 x 3.0	HSZ 272□AQ□□□ K							
3300	11.0 x 3.0	HSZ 332□AQ□□□ K	11.0 x 3.0			HSE 332□AQ□□□ K			
3900	13.0 x 3.0	HSZ 392□AQ□□□ K							
4700	13.0 x 3.0	HSZ 472□AQ□□□ K	11.0 x 3.0			HSE 472□AQ□□□ K			
6800			13.0 x 3.0			HSE 682□AQ□□□ K			
8200			15.0 x 3.0			HSE 822□AQ□□□ K			
0.01μF			15.0 x 3.0			HSE 103□AQ□□□ K			

*Standard lead configuration, other lead spacing and diameter available on request. **± 20% available on request.

ORDERING CODE			
Ordering code	□ 7th digit	Capacitance tolerance	± 10% = K ± 20% = M + 50 - 20% = S
	□□□ 10th / 11th / 12th digit	Lead configuration (See General Information)	