

IEC Appliance Inlet C18, Screw-on Mounting, Front Side, Solder or Quick-connect, PCB or Screw Terminal



C18



70 °C

**Description**

- Panel Mount:  
Screw-on mounting, Frontside
- Appliance Inlet, Pin temperature 70 °C, Protection class II

**Approvals**

- VDE License Number: 40011871
- UL License Number: E96454
- CSA License Number: 27324

**References**

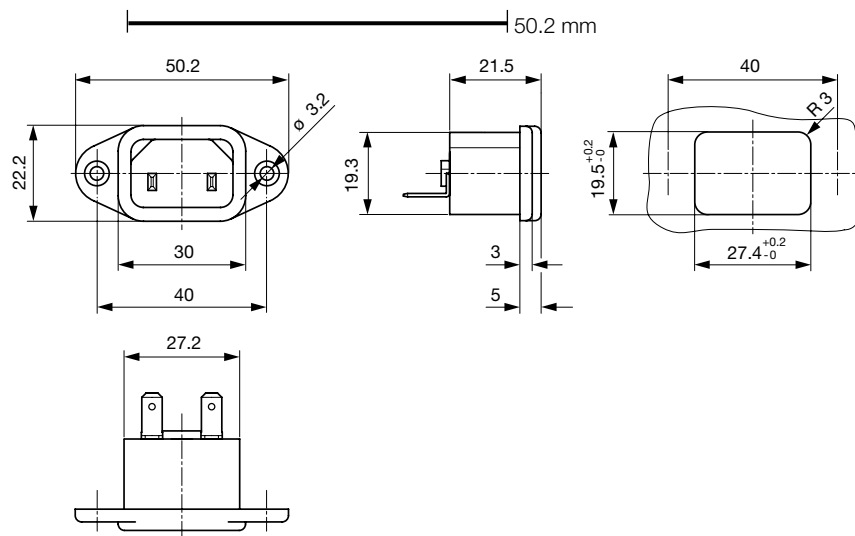
[General Product Information](#)

**Weblinks**

[Approvals](#), [RoHS](#), [CHINA-RoHS](#), [Mating Connectors](#), [Distributor-Stock-Check](#), [Accessories](#)

**Technical Data**

Ratings IEC	10A / 250VAC; 50Hz	Appliance Inlet	C18 acc. to IEC/EN 60320-1
Ratings UL/CSA	15A / 250VAC; 60Hz		UL 498, CSA C22.2 no. 42 (for cold conditions) pin-temperature 70 °C, 10A, Protection Class 2
Dielectric Strength	> 3 kVAC between L-N > 1.5 kVAC between L/N-PE (1 min/50Hz)		
Allowable Operation Temp.	-25 °C to 70 °C		
Degree of Protection	from front side IP 20 acc. to IEC 60529		
Protection Class	Suitable for appliances with protection class 2 acc. to IEC 61140		
Material: Housing	UL 94V-0		

**Dimensions**

Length of the terminal please find at the order code configuration table

## Config. Code

Product Configurator

6065 - H - A B C 0 - D - E

The characters are placeholders for the correspondingly keys of selections from the key tables.

## 6065 - H - A B C 0 - D - E = Type

Type	Configuration key
protection class 2	B

## 6065 - H - A B C 0 - D - E = Terminals

Terminal L	Configuration key
short solder terminal (L=4,8mm)	2
long solder terminal (L=8,5mm)	3
blade terminal (2,8x0,8mm)	7
blade terminal (4,8x0,8mm)	8
blade terminal (6,3x0,8mm)	9
screw terminal	A



## 6065 - H - A B C 0 - D - E = Terminals

Terminal N	Configuration key
short solder terminal (L=4,8mm)	2
long solder terminal (L=8,5mm)	3
blade terminal (2,8x0,8mm)	7
blade terminal (4,8x0,8mm)	8
blade terminal (6,3x0,8mm)	9
screw terminal	A

Symbols similar as in table A

## 6065 - H - A B C 0 - D - E = Terminals

Terminal Ground	Configuration key
without terminal	0

Symbols similar as in table A

## 6065 - H - A B C 0 - D - E = Color

Color	Configuration key
jet black; RAL9005	A
pure white; RAL9010	D
standard color: black	

## 6065 - H - A B C 0 - D - E = Style

Style	Configuration key
flange with countersunk holes	1
flange with through holes	2

## Variants

Config. Code	Description	Order Number
6065-X-2200-A-1	6065, IEC Appliance Inlet C18, 70°C, version: 2, L: short solder terminal (L=4,8mm), N: short solder terminal (L=4,8mm), ground: without terminal, color: jet black; RAL9005, design: flange with countersunk holes, dimension X:	6162.0071
6065-X-3300-A-1	6065, IEC Appliance Inlet C18, 70°C, version: 2, L: long solder terminal (L=8,5mm), N: long solder terminal (L=8,5mm), ground: without terminal, color: jet black; RAL9005, design: flange with countersunk holes, dimension X:	6162.0072
6065-X-8800-A-1	6065, IEC Appliance Inlet C18, 70°C, version: 2, L: blade terminal (4,8x0,8mm), N: blade terminal (4,8x0,8mm), ground: without terminal, color: jet black; RAL9005, design: flange with countersunk holes, dimension X:	6162.0073
6065-X-9900-A-1	6065, IEC Appliance Inlet C18, 70°C, version: 2, L: blade terminal (6,3x0,8mm), N: blade terminal (6,3x0,8mm), ground: without terminal, color: jet black; RAL9005, design: flange with countersunk holes, dimension X:	6162.0074
6065-X-2700-D-1	6065, IEC Appliance Inlet C18, 70°C, version: 2, L: short solder terminal (L=4,8mm), N: blade terminal (2,8x0,8mm), ground: without terminal, color: pure white; RAL9010, design: flange with countersunk holes, dimension X:	test

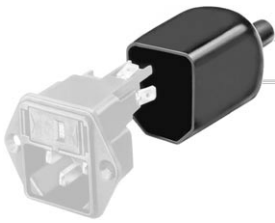
The listed variants should be available from stock. Other versions on request [www.schurter.com/contact](http://www.schurter.com/contact)

## Packaging unit

50 Pcs

## Accessories

## Description



Assorted Covers  
Rear Cover

## Mating Outlets/Connectors

## Category / Description

[Connector Overview complete](#)


IEC Connector C15, Rewireable, Straight	0101
IEC Connector C15A, Rewireable, Straight	0102
IEC Connector C15A, Rewireable, Straight	0102-G
IEC Connector C15A, Rewireable, Angled	0112
IEC Connector C13, Rewireable, Angled	4012
<a href="#">Connector further types to 6065</a>	...

[Power Cord Overview complete](#)


Power Cord with IEC Connector C17, Angled	0301
Power Cord with IEC Connector C13, Angled	0311
Power Cord with IEC Connector C13, Angled	3011
Power Cord with IEC Connector C13, Angled	3012
Power Cord with IEC Connector C13, Angled	3013
<a href="#">Power Cord further types to 6065</a>	...

[Power Supply or Interconnection Cord Overview complete](#)

Divers Power Supply and Interconnection Cords 10 A	Kabelverbindung/10 A
<a href="#">Power Supply or Interconnection Cord further types to 6065</a>	