

● 薄型バックライト用の白色LEDです。推奨導光板は0.5mm厚です。

● White LED for thin-shaped backlight. Recommended thickness of optical waveguide is 0.5 mm.

●絶対最大定格/Absolute Maximum Rating^{※1}

(Ta 25°C)

Product code	Pd (mW)	If (mA)	Ifp ^{※2} (mA)	Vr (V)	Top (°C)	Tst (°C)
CL-434F-WX	114	30	100	5	-25~+80	-30~+85

※1 1素子当たりの値です。/The values are based on 1-die performance.

※2 Ifpの条件はduty 1/10、パルス巾30msecです。/Condition for Ifp is pulse of 1/10 duty and 30msec width.

●電気的光学的特性/Electro-optical Characteristics

(Ta 25°C)

Parameter	Symbol	Conditions	MIN	TYP	MAX	Unit
順電圧/Forward Voltage ^{※1}	V _F	If=20mA	—	3.3	3.6	V
逆電流/Reverse Current ^{※1}	I _R	V _R =5V	—	—	2	μA
光度/Luminous Intensity ^{※2}	I _v	If=20mA	1400	1850	—	mcd
色度座標/ Chromaticity coordinates ^{※3}	x, y	If=20mA	x(±0.02)		y(±0.02)	
			a	0.268	0.228	
			b	0.284	0.256	
			c	0.309	0.286	
			d	0.307	0.308	
			e	0.275	0.275	
f	0.252	0.247				

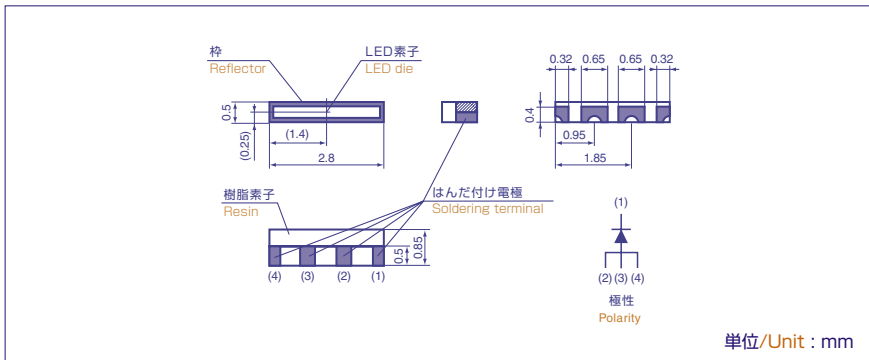
※1 1素子当たりの値です。/The values are based on 1-die performance.

※2 NIST規格に準拠、各素子同時点灯の値です。

Compliant with NIST. The values are based on the condition that each die lights simultaneously.

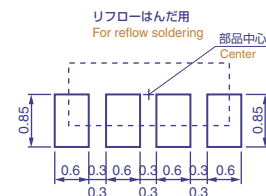
※3 色度座標は、a, b, c, dに囲まれた範囲です。/Chromaticity coordinates is surrounded with a,b,c,d.

●外形寸法図/Outline drawing



推奨はんだ付けパターン

The following soldering patterns are recommended for reflow-soldering:



■ 諸特性 / Characteristics

