

MECHANICAL DATA

	6CB5
Bulb	ST-16
Base	B8-71, Short Jumbo Shell Octal, 8-Pin
Basing	8GD
Top Cap	C1-1 Small
Cathode	Coated Unipotential
Mounting Position	Any

	6CB5A
Bulb	T-12
Base	B8-71, Short Jumbo Shell Octal, 8-Pin or B8-118 Short Medium Shell Octal 8-Pin
Basing	8GD
Top Cap	C1-1 Small
Cathode	Coated Unipotential
Mounting Position	Any

ELECTRICAL DATA

HEATER CHARACTERISTICS

Heater Voltage	6.3 Volts	
Heater Current	2.5 Amperes	
Heater-Cathode Voltage (Design Center Values)		
Heater Negative with Respect to Cathode		
Total DC and Peak	200 Volts	Max.
Heater Positive with Respect to Cathode		
DC	100 Volts	Max.
Total DC and Peak	200 Volts	Max.

DIRECT INTERELECTRODE CAPACITANCES (Approx.)

	6CB5A	6CB5
Grid to Plate	0.4	0.8 μmf
Input	22	24 μmf
Output	10	10 μmf

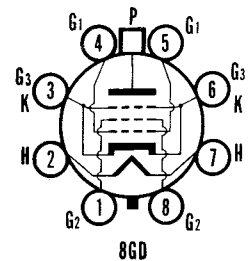
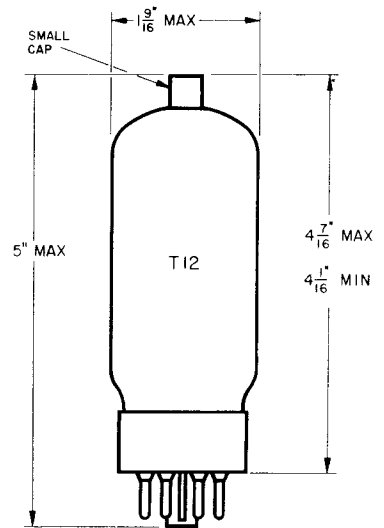
RATINGS (Design Center Values—Except as Noted)

Horizontal Deflection Amplifier¹

	6CB5A	6CB5	
DC Plate Supply Voltage			
(Boost + DC Power Supply)	800	700 Volts	Max.
Peak Positive-Pulse Plate Voltage (Abs. Max.)	6800	6800 Volts	
Peak Negative-Pulse Plate Voltage	1500	1500 Volts	Max.
Plate Dissipation ²	23	23 Watts	Max.
Negative DC Grid No. 1 Voltage	50	50 Volts	Max.
Peak Negative-Pulse Grid No. 1 Voltage	200	200 Volts	Max.
DC Grid No. 2 Voltage	200	200 Volts	Max.
DC Cathode Current	220	Ma	Max.
Peak Cathode Current	770	Ma	Max.
Grid No. 2 Dissipation	3.6	3.6 Watts	Max.
DC Plate Current		200 Ma	Max.
Grid No. 1 Circuit Resistance	0.47	0.47 Megohm	Max.
Bulb Temperature (at hottest point)	220°	210° C	Max.

QUICK REFERENCE DATA

The Sylvania Types 6CB5 and 6CB5A are beam power amplifiers designed for use primarily as horizontal deflection amplifiers in color television receivers. The 6CB5A is contained in a T-12 bulb and has a higher DC plate supply voltage than the 6CB5. It also is completely interchangeable with the 6CB5.



**SYLVANIA ELECTRIC
PRODUCTS INC.**

**RADIO TUBE DIVISION
EMPORIUM, PA.**

*Prepared and Released By The
TECHNICAL PUBLICATIONS SECTION
EMPORIUM, PENNSYLVANIA*

APRIL, 1957

PAGE 1 OF 4

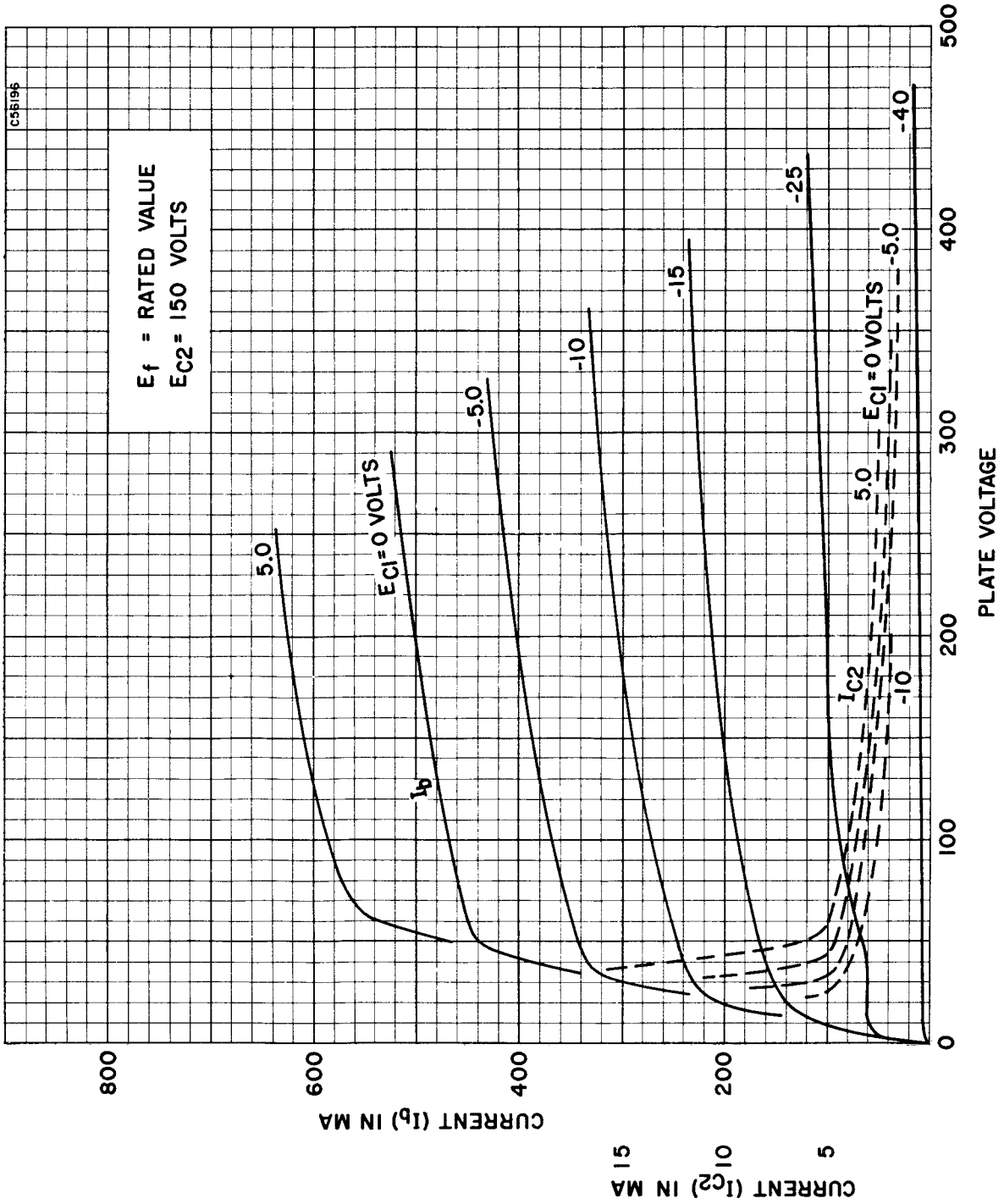
AVERAGE CHARACTERISTICS

		6CB5 6CB5A
Plate Voltage	75	175 Volts
Grid No. 2 Voltage	150	175 Volts
Grid No. 1 Voltage	0	30 Volts
Plate Current	460 ^s	90 Ma
Grid No. 2 Current	42 ^s	6.0 Ma
Transconductance		8800 μ mhos
Plate Resistance		5000 Ohms
Triode Amplification Factor		3.8
Grid No. 1 Voltage (approx.) for $I_b = 1$ Ma.		-60 Volts

NOTES:

1. *For operation in a 525-line, 30-frame system as described in "Standards of Good Engineering Practice for Television Broadcasting Stations; Federal Communications Commission". The duty cycle of the voltage pulse must not exceed 15% of one scanning cycle.*
2. *In stages operating with grid-leak bias, an adequate cathode bias resistor or other suitable means is required to protect the tube in the absence of excitation.*
3. *Test condition only.*

AVERAGE PLATE CHARACTERISTICS



cs6196

AVERAGE PLATE CHARACTERISTICS

