

Silicon PNP Power Transistors

2SB974

DESCRIPTION

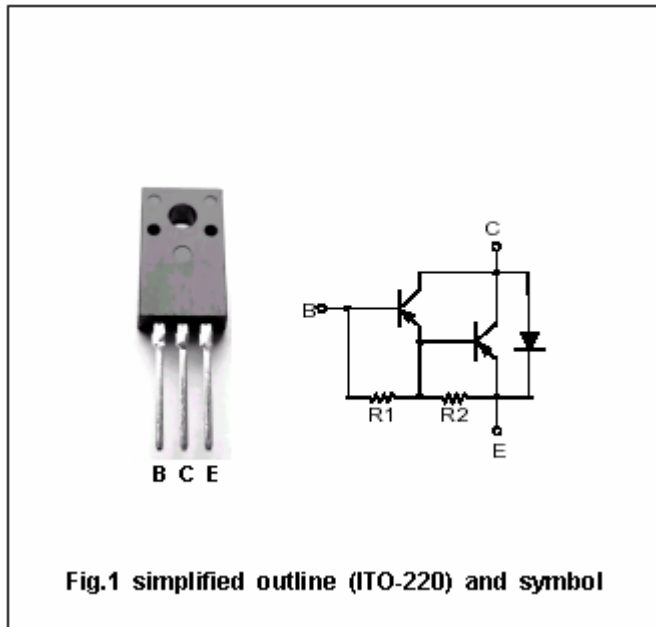
- With ITO-220 package
- DARLINGTON
- High DC current gain
- Low collector saturation voltage

APPLICATIONS

- Low frequency power amplification
- Low speed power switching applications

PINNING

PIN	DESCRIPTION
1	Base
2	Collector
3	Emitter



Absolute maximum ratings(Ta=25°C)

SYMBOL	PARAMETER	CONDITIONS	VALUE	UNIT
V _{CBO}	Collector-base voltage	Open emitter	-100	V
V _{CEO}	Collector-emitter voltage	Open base	-100	V
V _{EBO}	Emitter-base voltage	Open collector	-5	V
I _C	Collector current		-5	A
P _C	Collector power dissipation	T _C =25°C	30	W
		T _a =25°C	1.5	
T _j	Junction temperature		150	°C
T _{stg}	Storage temperature		-55~150	°C

Silicon PNP Power Transistors

2SB974

CHARACTERISTICS

Tj=25°C unless otherwise specified

SYMBOL	PARAMETER	CONDITIONS	MIN	TYP.	MAX	UNIT
V _{CEO(SUS)}	Collector-emitter sustaining voltage	I _C =-30mA ; I _B =0	-100			V
V _{(BR)CBO}	Collector-base breakdown voltage	I _C =-1mA ; I _E =0	-100			V
V _{(BR)EBO}	Emitter-base breakdown voltage	I _E =-5mA ; I _C =0	-5			V
V _{CEsat}	Collector-emitter saturation voltage	I _C =-2A; I _B =-2mA			-1.5	V
V _{BEsat}	Base-emitter saturation voltage	I _C =-2A; I _B =-2mA			-2.0	V
I _{CBO}	Collector cut-off current	V _{CB} =-100V; I _E =0			-1	μA
I _{CEO}	Collector cut-off current	V _{CE} =-50V; I _B =0			-100	μA
I _{EBO}	Emitter cut-off current	V _{EB} =-5V; I _C =0			-5.0	mA
h _{FE}	DC current gain	I _C =-2A ; V _{CE} =-2V	2000		20000	

Silicon PNP Power Transistors

2SB974

PACKAGE OUTLINE

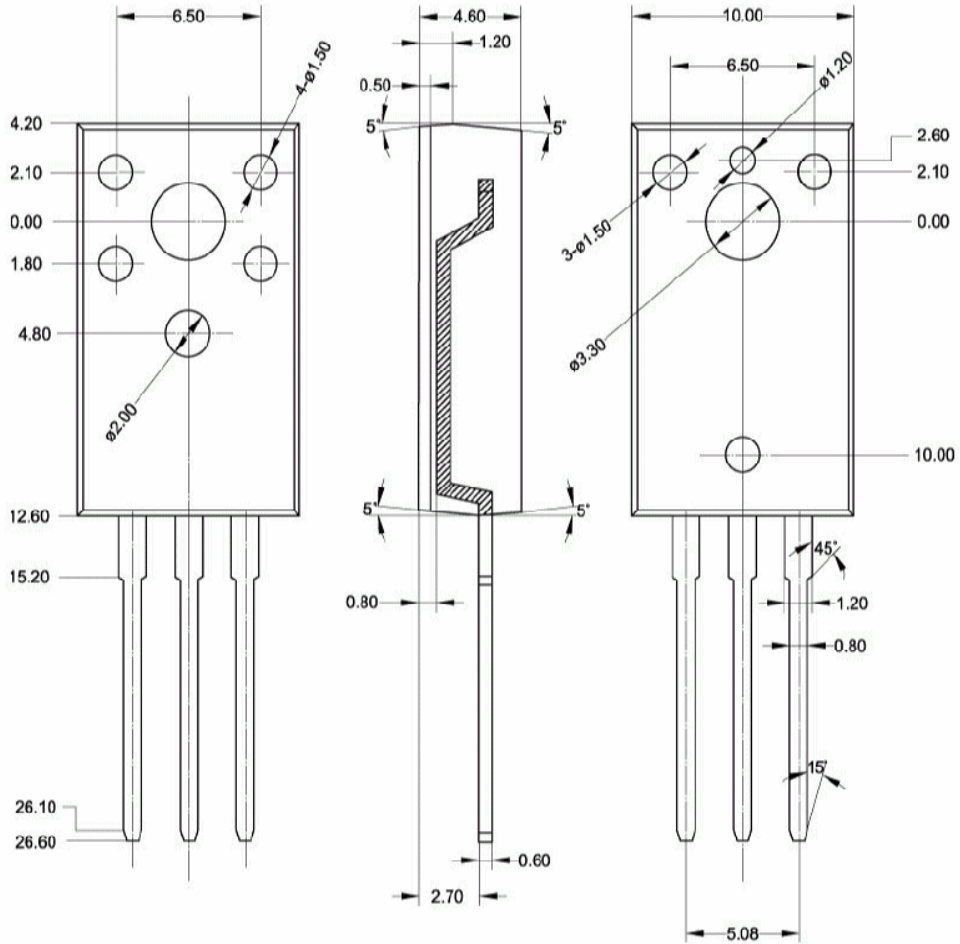


Fig.2 Outline dimensions (unindicated tolerance: ± 0.20 mm)