

TECHNICAL DESCRIPTION

- 2.0 - 2.3 GHz
- LOWEST LOSS
- HIGHEST ISOLATION
- EXCELLENT PHASE/AMPLITUDE BALANCE
- SURFACE MOUNT
- TAPE & REEL



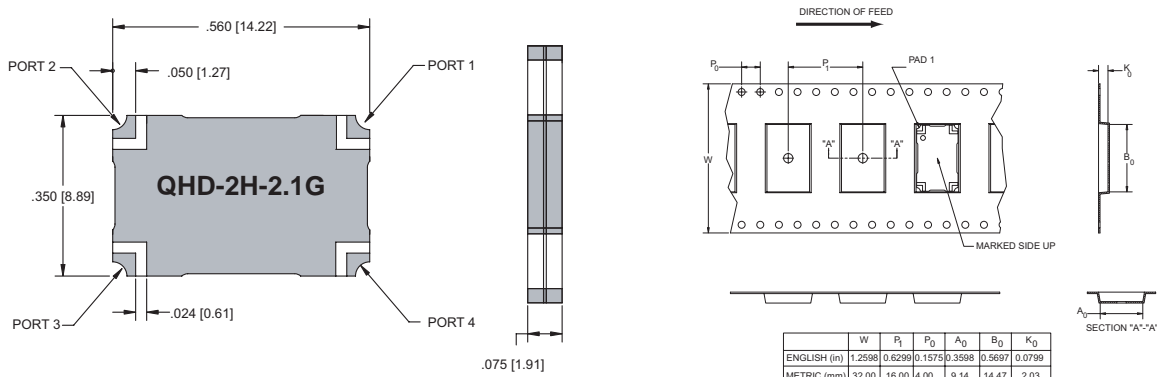
The Multi-Mix[®] QHD series provides a 3 dB coupler with low insertion loss, low VSWR, and high isolation. Accurate phase and amplitude balance make them ideal for applications involving IQ networks, power amplifiers, signal distribution and processing.

QHD quad hybrids are fusion bonded multilayer stripline assemblies. The fusion bonding process yields a homogeneous monolithic dielectric structure with reliability, ruggedness, and electrical performance that is superior to conventional adhesive bonding techniques.

GENERAL SPECIFICATIONS

FREQUENCY RANGE MHz		INSERTION LOSS (dB MAX)	AMPLITUDE BALANCE (dB MAX)	PHASE BALANCE	ISOLATION (dB MIN)
2000 - 2300		0.15	± 0.30	90 ± 2°	23
2110 - 2170		0.12			26
VSWR (ALL PORTS)	INPUT POWER (CW @ 1.2:1 OUTPUT VSWR)	SIZE (INCHES)	WEIGHT (OZ./GRAMS)	RF INTERFACE	OPERATING TEMPERATURE
1.15:1 1.12:1	100 W	0.56 x 0.35 x 0.075	0.03 / 0.8	Surface Mount	-55° - +85° C

PACKAGE OUTLINE / TAPE & REEL ORIENTATION

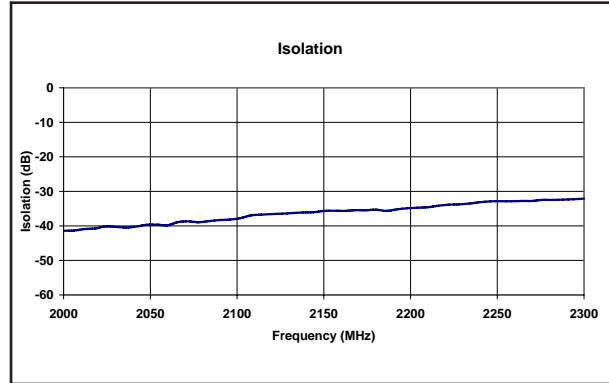
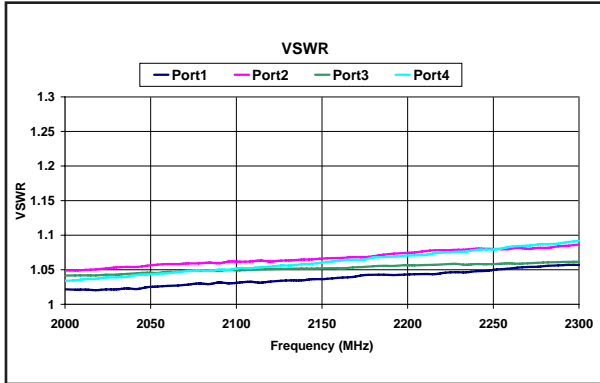
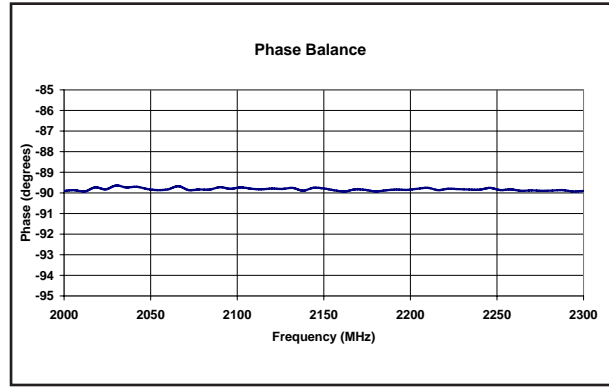
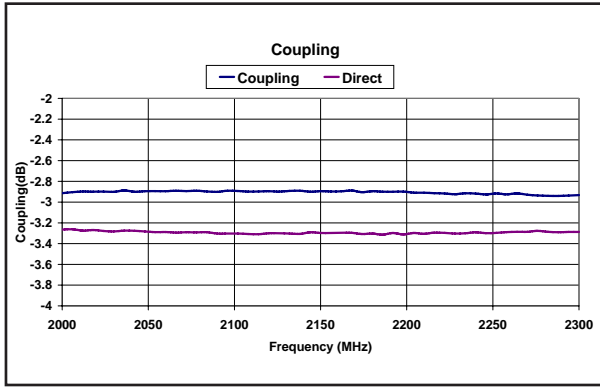


THE MULTI-MIX MICROTECHNOLOGY[®] GROUP IS ISO 9001:2000 REGISTERED

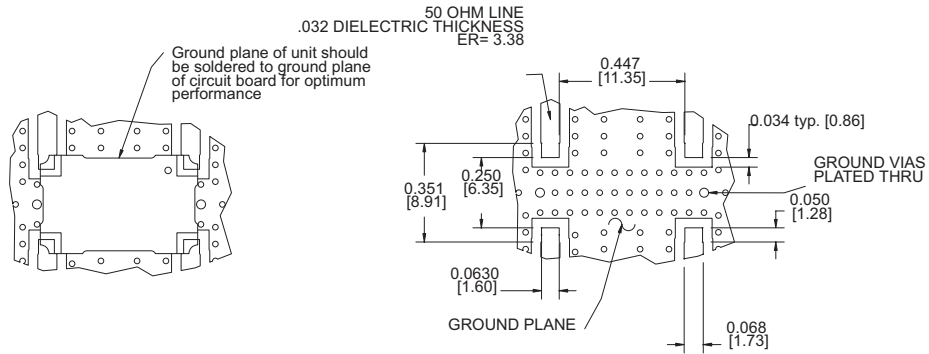


U.S. patent 6,099,677 and other patents pending.

TYPICAL PERFORMANCE



MOUNTING CONFIGURATION



TRUTH TABLE

	1	2	3	4
1	Input	Iso	-90°	0°
2	Iso	Input	0°	-90°
3	-90°	0°	Input	Iso
4	0°	-90°	Iso	Input