

March 1991  
Edition 2.0

FUJITSU

DATA SHEET

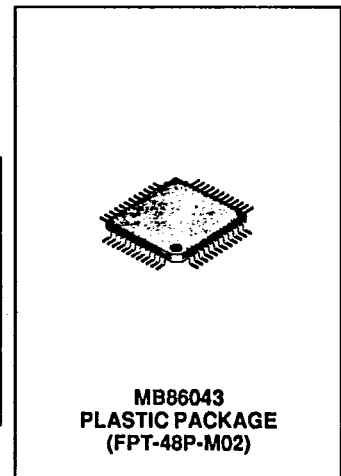
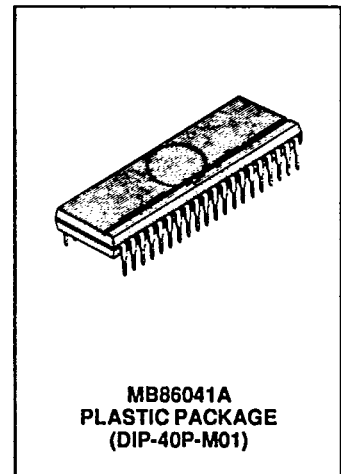
## MB86041A/MB86043

### CMOS PIPELINED DIVIDER WITH 10-BIT DIVIDEND, 8-BIT DIVISOR, AND 10-BIT QUOTIENT

The MB86041A and MB86043 are high-speed CMOS pipe-lined divider featuring integer division or decimal division operating modes and 10-bit dividend, 8-bit divisor, and 10-bit quotient. The remainder is omitted. External divide by zero and overflow signals are provided.

The devices operate at up to 20 MHz for high-speed image signal processing. The MB86041A is housed in an 40-pin plastic dual in-line package and MB86043 is housed in 48-pin quad flat package.

- Functions
  - 5-stage, pipelined, high-speed divider
  - Operation speed : 20 MHz (Maximum)
- Operation Modes
  - (1) Integer division
  - (2) Decimal division
- Data Format
  - Dividend : 10 bits (TTL Level)
  - Divisor : 8 bits (TTL Level)
  - Quotient : 10 bits (TTL Level)
  - (Note that the remainder is omitted.)
- Detection Function
  - (1) Divide by 0 error detection function
  - (2) Overflow error detection function



#### ABSOLUTE MAXIMUM RATINGS (See NOTE)

$V_{SS} = 0\text{ V}$

Ratings	Symbol	Conditions	Value	Unit
Supply voltage	$V_{DD}$	—	$V_{SS}-0.5$ to $+6.0$	V
Input voltage	$V_I$	—	$V_{SS}-0.5$ to $V_{DD}+0.5$	V
Output voltage	$V_O$	—	$V_{SS}-0.5$ to $V_{DD}+0.5$	V
Operating temperature	$T_A$	—	$-25$ to $+85$	°C
Storage temperature	$T_{STG}$	—	$-40$ to $+125$	°C
Output current *1)	$I_O$	$V_O = V_{DD}$	+40 (Maximum)	mA
		$V_O = 0\text{ V}$	-40 (Maximum)	

NOTE \*1) This is the output current per pin for  $V_{DD} = 5\text{ V}$  and for a maximum of 1 second.

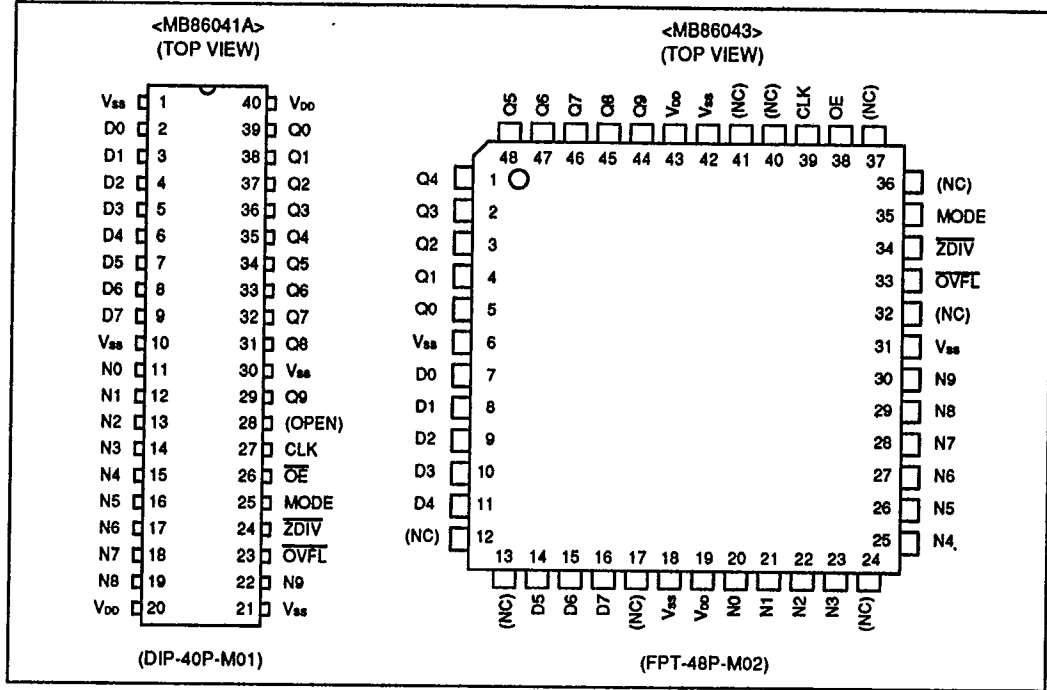
Permanent device damage may occur if the above **Absolute Maximum Ratings** are exceeded. Functional operation should be restricted to the conditions as detailed in the operational sections of this data sheet. Exposure to absolute maximum rating conditions for extended periods may affect device reliability.

This device contains circuitry to protect the inputs against damage due to high static voltages or electric fields. However, it is advised that normal precautions be taken to avoid application of any voltage higher than maximum rated voltages to this high impedance circuit.

T-45-23-21

MB86041A  
MB86043

**PIN ASSIGNMENT**



**PIN DESCRIPTIONS**

Pin NO.		Symbol	I/O	Function Description
MB86041A	MB86043			
1	6	V <sub>ss</sub> *1	-	Ground pin (0 V)
2	7	D0	I	Divisor input pin (LSB)
3	8	D1	I	Divisor input pin
4	9	D2	I	Divisor input pin
5	10	D3	I	Divisor input pin
6	11	D4	I	Divisor input pin
-	12, 13	(NC)	-	No connection
7	14	D5	I	Divisor input pin
8	15	D6	I	Divisor input pin
9	16	D7	I	Divisor input pin (MSB)

T-45-23-21

MB86041A  
MB86043

Pin NO.		Symbol	I/O	Function Description
MB86041A	MB86043			
-	17	(NC)	-	No connection
10	18	V <sub>ss</sub> *1	-	Ground pin (0 V)
-	19	V <sub>DD</sub> *2	-	Supply voltage input pin (+5 V)
11	20	N0	I	Dividend input pin (LSB)
12	21	N1	I	Dividend input pin
13	22	N2	I	Dividend input pin
14	23	N3	I	Dividend input pin
-	24	(NC)	-	No connection
15	25	N4	I	Dividend input pin
16	26	N5	I	Dividend input pin
17	27	N6	I	Dividend input pin
18	28	N7	I	Dividend input pin
19	29	N8	I	Dividend input pin
20	-	V <sub>DD</sub> *2	-	Supply voltage input pin (+5 V)
21	31	V <sub>ss</sub> *1	-	Ground pin (0 V)
22	30	N9	I	Dividend input pin (MSB)
-	32	(NC)	-	No connection
23	33	$\overline{\text{OVFL}}$	O	Overflow error flag output pin Goes low on detection of an overflow in the decimal operation mode.
24	34	$\overline{\text{ZDIV}}$	O	Divide by zero error flag output pin Goes low on detection of divide by zero.
25	35	MODE	I	Operation mode selection pin • MODE = L level : integer operation mode • MODE = H level : decimal operation mode Data is latched on the rising edge of clock.
26	38	$\overline{\text{OE}}$	I	Output (Q0 to Q9 pins) enable input pin • $\overline{\text{OE}}$ = L level : Q0 to Q9 output enabled • $\overline{\text{OE}}$ = H level : Q0 to Q9 set to high impedance
-	37, 36	(NC)	-	No connection

\*1 : V<sub>ss</sub> pins : Connect all V<sub>ss</sub> pins to network ground.

\*2 : V<sub>DD</sub> pins : Connect all V<sub>DD</sub> pins to the power supply line.

T-45-23-21

**MB86041A**  
**MB86043**

Pin NO.		Symbol	I/O	Function Description
MB86041A	MB86043			
27	39	CLK	I	Clock input for the pipeline registers Data is latched on the rising edge of clock.
28	40, 41	(NC)	-	No connection
29	44	Q9	O	Three-state quotient output pin (MSB)
30	42	V <sub>ss</sub> *1	-	Ground pin (0 V)
-	43	V <sub>DD</sub> *2	-	Supply voltage input pin (+5 V)
31	45	Q8	O	Three-state quotient output pin
32	46	Q7	O	Three-state quotient output pin
33	47	Q6	O	Three-state quotient output pin
34	48	Q5	O	Three-state quotient output pin
35	1	Q4	O	Three-state quotient output pin
36	2	Q3	O	Three-state quotient output pin
37	3	Q2	O	Three-state quotient output pin
38	4	Q1	O	Three-state quotient output pin
39	5	Q0	O	Three-state quotient output pin (LSB)
40	-	V <sub>DD</sub> *2	-	Supply voltage input pin (+5 V)

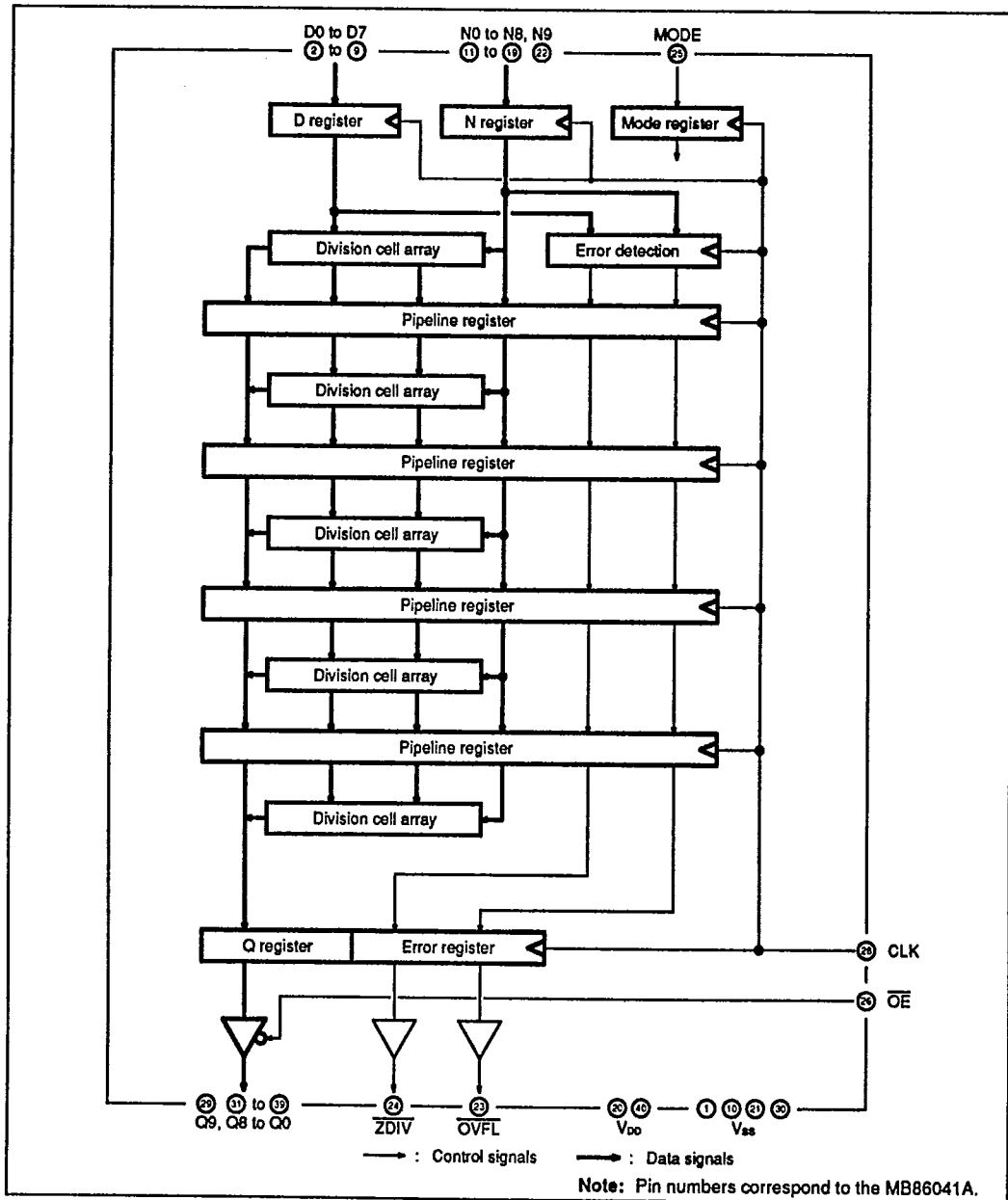
\*1 : V<sub>ss</sub> pins : Connect all V<sub>ss</sub> pins to network ground.

\*2 : V<sub>DD</sub> pins : Connect all V<sub>DD</sub> pins to the power supply line.

T-45-23-21

MB86041A  
MB86043

**BLOCK DIAGRAM**



T-45-23-21

MB86041A  
MB86043

## OPERATION DESCRIPTION

Integer division mode or decimal division mode is selected using the MODE pin.

In the integer division mode, the dividend, divisor, and quotient are operated on as positive integers. In this case, the remainder is omitted.

In the decimal division mode, the decimal point is assumed to be at the left of the MSB. The dividend, divisor, and quotient are operated on as positive fixed-point decimal numbers smaller than 1. Remainder is also omitted in this mode.

The dividend is 10 bits, the divisor 8 bits, and the quotient 10 bits.

Data output status is controlled by the  $\overline{OE}$  pin.

Division by zero and overflow detection functions are provided for detection of operational errors.

This device operates at a maximum speed of 20 MHz with a 5-stage pipeline. The output delayed 6 cycles after input. The minimum output delay is 50 ns. (See Figure 1.)

All outputs are unstable for a period of 5 clocks after the device is powered up.

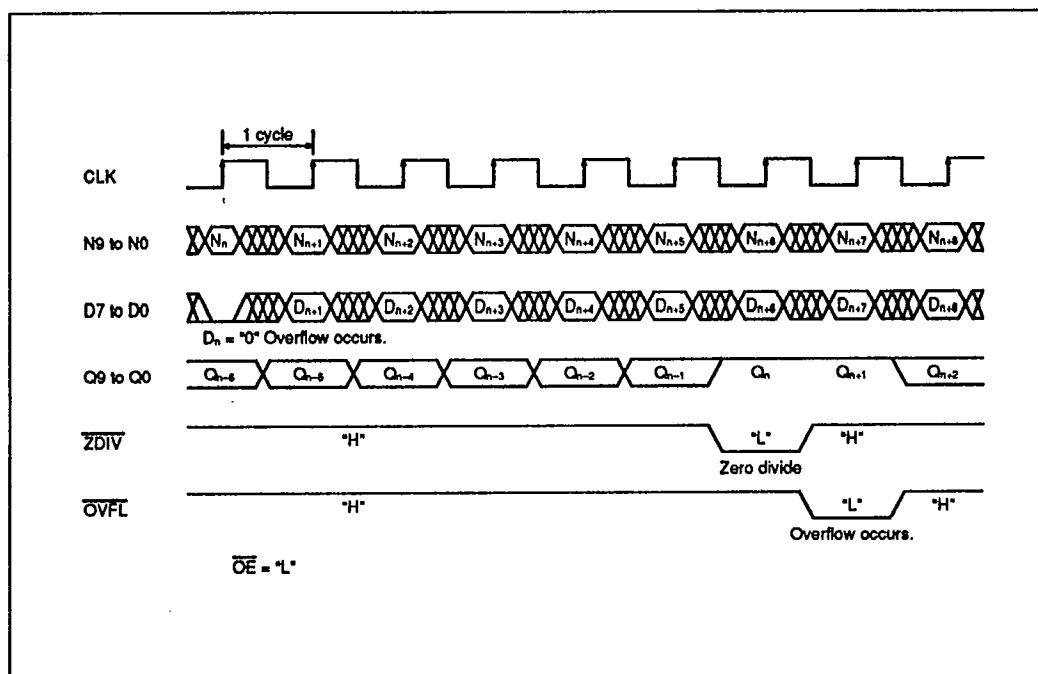


Figure 1 Timing chart

T-45-23-21

MB86041A  
MB86043

## SETTING OF CONTROL PINS

### 1. Selection

#### ① Operation mode selection

MODE pin	Operation mode	Type of input data
H-level	Decimal division mode	Data is a positive decimal smaller than 1.
L-level	Integer division mode	Data is a positive integer greater than or equal to 1.

#### ② Data output selection

$\overline{OE}$ pin	Output status of pins Q0 to Q9
H-level	High impedance status
L-level	The quotient is output. The remainder is omitted.

### 2. Precautions

#### ① Error detection display

- When a divide by zero error is detected:  
All bits of the quotient = 1  
 $\overline{ZDIV}$  pin = L-level (for one cycle)
- When an overflow error is detected during decimal operation:  
All bits of the quotient = 1  
OVFL pin = L-level (for one cycle)

#### ② Precautions for decimal operation

Values smaller than 1 are used for the dividend (N), divisor (D), and quotient (Q). Therefore, if operation is performed under a condition other than  $N < D$ , the result is  $Q \geq 1$ , causing an overflow error.

T-45-23-21

MB86041A  
MB86043

## DATA FORMAT

The dividend is placed on pins N0 to N9 and the divisor on pins D0 to D7 in positive fixed-point format. The quotient is output on pins Q0 to Q9. Remainders are omitted.

### 1. Integer division mode data format

Dividend (N)	N9	N8	N7	N6	N5	N4	N3	N2	N1	N0	•
	$2^9$	$2^8$	$2^7$	$2^6$	$2^5$	$2^4$	$2^3$	$2^2$	$2^1$	$2^0$	

(Decimal point)

Divisor (D)	D7	D6	D5	D4	D3	D2	D1	D0	•
	$2^7$	$2^6$	$2^5$	$2^4$	$2^3$	$2^2$	$2^1$	$2^0$	

Quotient (Q)	Q9	Q8	Q7	Q6	Q5	Q4	Q3	Q2	Q1	Q0	•
	$2^9$	$2^8$	$2^7$	$2^6$	$2^5$	$2^4$	$2^3$	$2^2$	$2^1$	$2^0$	

### 2. Decimal division mode data format

Dividend (N)	N9	N8	N7	N6	N5	N4	N3	N2	N1	N0	•
	$2^{-1}$	$2^{-2}$	$2^{-3}$	$2^{-4}$	$2^{-5}$	$2^{-6}$	$2^{-7}$	$2^{-8}$	$2^{-9}$	$2^{-10}$	

(Decimal point)

Divisor (D)	D7	D6	D5	D4	D3	D2	D1	D0	•
	$2^{-1}$	$2^{-2}$	$2^{-3}$	$2^{-4}$	$2^{-5}$	$2^{-6}$	$2^{-7}$	$2^{-8}$	

Quotient (Q)	Q9	Q8	Q7	Q6	Q5	Q4	Q3	Q2	Q1	Q0	•
	$2^{-1}$	$2^{-2}$	$2^{-3}$	$2^{-4}$	$2^{-5}$	$2^{-6}$	$2^{-7}$	$2^{-8}$	$2^{-9}$	$2^{-10}$	

Description of format:

Q9	← Symbol
$2^9$	← Bit weight



T-45-23-21

MB86041A  
MB86043**RECOMMENDED OPERATING CONDITIONS** $V_{ss} = 0\text{ V}$ 

Parameter	Symbol	Conditions	Value			Unit
			Minimum	Typical	Maximum	
Supply voltage	$V_{DD}$	-	4.75	5.00	5.25	V
Input voltage	$V_i$	-	$V_{ss}$	-	$V_{DD}$	V
Operating temperature	$T_A$	-	0	-	70	°C
H-level output current	$I_{OH}$	-	-	-	-2	mA
L-level output current	$I_{OL}$	-	-	-	3.2	mA

**INPUT AND OUTPUT CAPACITANCE** $T_A = +25^\circ\text{C}$ 

Parameter	Symbol	Conditions	Value			Unit
			Minimum	Typical	Maximum	
Input pin	$C_i$	$f = 1\text{ MHz}, V_{DD} = V_i = 0\text{ V}$	-	-	16	pF
Output pin	$C_o$	$f = 1\text{ MHz}, V_{DD} = V_i = 0\text{ V}$	-	-	16	pF

T-45-23-21

MB86041A  
MB86043**ELECTRICAL CHARACTERISTICS**

## 1. DC Characteristics

 $V_{DD} = 5\text{ V} \pm 5\%$ ,  $V_{SS} = 0\text{ V}$ ,  $T_A = +25^\circ\text{C}$ 

Parameter	Symbol	Conditions	Value			Unit
			Minimum	Typical	Maximum	
Supply current	$I_{OBS}$	Static $V_{IN} = V_{DD}$ , $V_{IL} = V_{SS}$	-	-	0.1	mA
	$I_{OO}$	Operating	-	-	(TBD)	mA
H-level input voltage	$V_{IH}$	-	2.2	-	$V_{DD}$	V
L-level input voltage	$V_{IL}$	-	$V_{SS}$	-	0.8	V
H-level output voltage	$V_{OH}$	$I_{OH} = -2\text{ mA}$	4.0	-	$V_{DD}$	V
L-level output voltage	$V_{OL}$	$I_{OL} = 3.2\text{ mA}$	$V_{SS}$	-	0.4	V
Input leakage current	$I_{II}$	$V_I = 0\text{ V to } V_{DD}$	-10	-	10	$\mu\text{A}$
Output leakage current	$I_{IO}$	$V_I = 0\text{ V to } V_{DD}$	-10	-	10	$\mu\text{A}$

## 2. AC Characteristics

## 1) Timing requirements

 $V_{DD} = 5\text{ V} \pm 5\%$ ,  $V_{SS} = 0\text{ V}$ ,  $T_A = +25^\circ\text{C}$ 

Parameter	Symbol	Conditions	Value			Unit
			Minimum	Typical	Maximum	
Clock cycle	$t_{CK}$	-	50	-	-	ns
Clock pulse width	$t_{CW}$	-	15	-	-	ns
Clock rise time	$t_r$	-	-	-	5	ns
Clock fall time	$t_f$	-	-	-	5	ns
Set-up time	$t_{SU}$	Pins N0 to N9, D0 to D7	15	-	-	ns
Hold time	$t_{HI}$	Pins N0 to N9, D0 to D7	3	-	-	ns

T-45-23-21

MB86041A  
MB86043**ELECTRICAL CHARACTERISTICS**

## 2. AC Characteristics

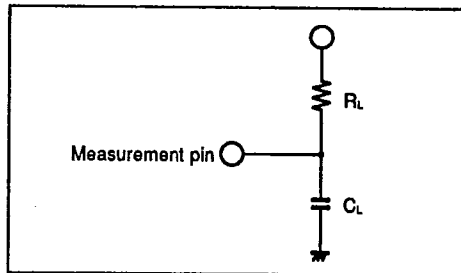
## 2) Switching characteristics

 $V_{DD} = 5V \pm 5\%$ ,  $V_{SS} = 0V$ ,  $T_A = +25^\circ C$ 

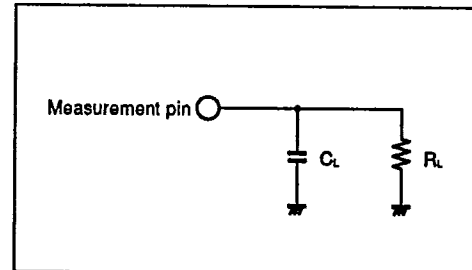
Parameter	Symbol	Conditions	Value			Unit
			Minimum	Typical	Maximum	
Valid status delay time	$t_{v1}$	Time from CLK to Q0 to Q9, $\overline{ZDIV}$ , and $\overline{OVFL}$	-	-	35	ns
	$t_{v2}$	Time from $\overline{OE}$ to Q0 to Q9	-	-	30	ns
Float status delay time	$t_{fz}$	Time from $\overline{OE}$ to Q0 to Q9	-	-	30	ns

**LOAD CIRCUIT**

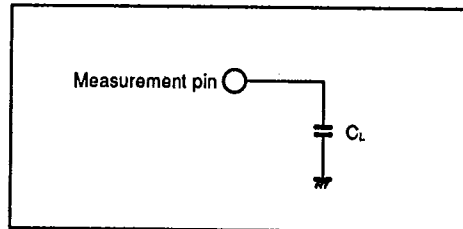
1. Low-level to high impedance transition delay  
High impedance to low-level transition delay



2. High-level to high impedance transition delay  
High impedance to High-level transition delay



3. Low- to High-level transition delay  
High- to Low-level transition delay



Load conditions:

 $R_L = 2\text{ k}\Omega$  $C_L = 60\text{ pF}$  (Pins  $\overline{ZDIV}$  and  $\overline{OVFL}$ )

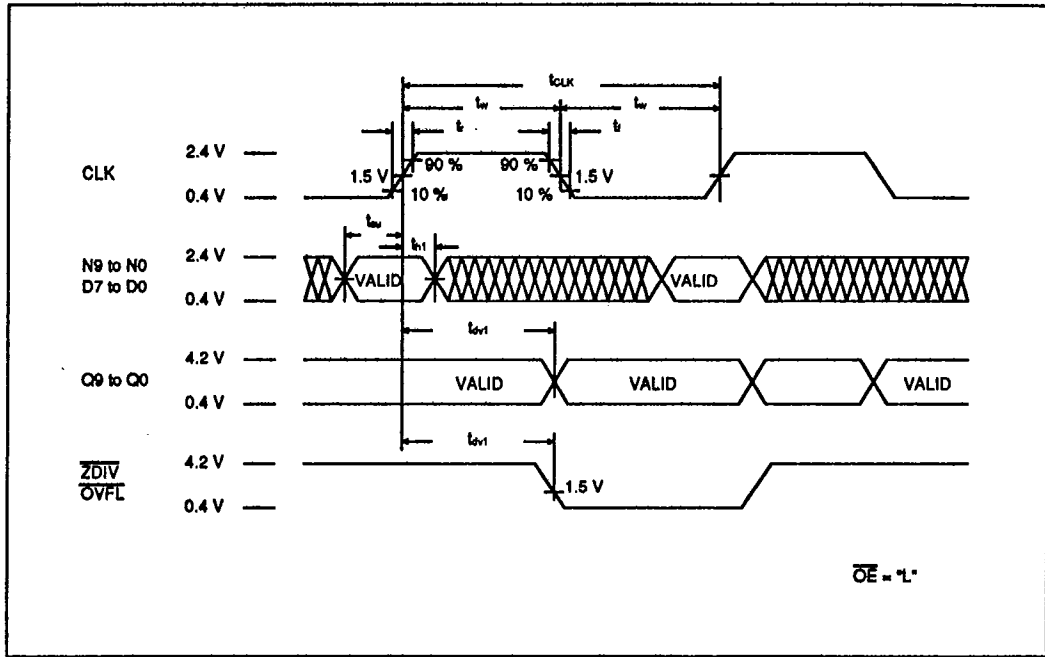
65 pF (Pins Q0 to Q9)

T-45-23-21

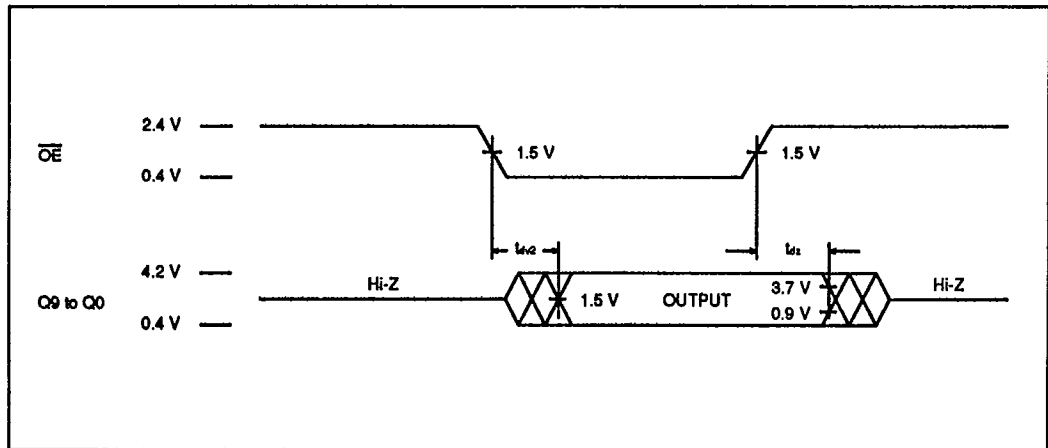
MB86041A  
MB86043

**TIMING CHART**

1. AC characteristics (1)



2. AC characteristics (2)



T-45-23-21

MB86041A  
MB86043

PACKAGE DIMENSIONS

