

PLEASE CHECK WWW.MOLEX.COM FOR LATEST PART INFORMATION

Part Number: [0554470670](#)
Status: **Active**
Description: 1.25mm (.049") Pitch Mi II™ System Wire-to-Board Header, Single Row, Vertical, with Positive Lock, Lead-free, 6 Circuits

Documents:

[3D Model](#) [Product Specification PS-54596-018 \(PDF\)](#)
[Drawing \(PDF\)](#) [RoHS Certificate of Compliance \(PDF\)](#)

General

Product Family PCB Headers
 Series [55447](#)
 Application Wire-to-Board
 Product Name Mini Mi II™

Physical

Breakaway No
 Circuits (Loaded) 6
 Circuits (maximum) 6
 Color - Resin Natural
 Durability (mating cycles max) 30
 First Mate / Last Break No
 Glow-Wire Compliant No
 Guide to Mating Part No
 Keying to Mating Part None
 Lock to Mating Part Yes
 Material - Plating Mating Tin
 Material - Plating Termination Tin
 Material - Resin Nylon
 Number of Rows 1
 Orientation Vertical
 PC Tail Length (in) 0.118 In
 PC Tail Length (mm) 3.00 mm
 PCB Locator Yes
 PCB Retention Yes
 PCB Thickness Recommended (in) 0.062 In
 PCB Thickness Recommended (mm) 1.60 mm
 Packaging Type Tray
 Pitch - Mating Interface (in) 0.049 In
 Pitch - Mating Interface (mm) 1.25 mm
 Polarized to Mating Part Yes
 Shrouded Fully
 Stackable No
 Surface Mount Compatible (SMC) No
 Temperature Range - Operating -40°C to +105°C
 Termination Interface: Style Through Hole

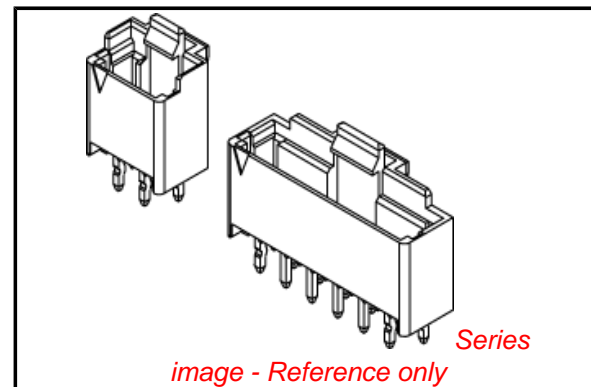
Electrical

Current - Maximum per Contact 1.5A
 Voltage - Maximum 100V

Material Info

Reference - Drawing Numbers

Product Specification PS-54596-018, RPS-54596-024
 Sales Drawing SD-55447-010



EU RoHS

**ELV and RoHS
 Compliant**
REACH SVHC
 Not Reviewed
**Halogen-Free
 Status**

China RoHS



**Need more information on product
 environmental compliance?**

Email productcompliance@molex.com
 For a multiple part number RoHS Certificate of Compliance, [click here](#)

Please visit the [Contact Us](#) section for any non-product compliance questions.

Search Parts in this Series

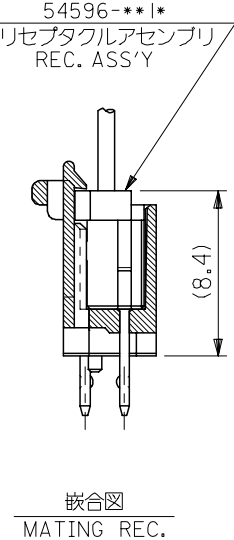
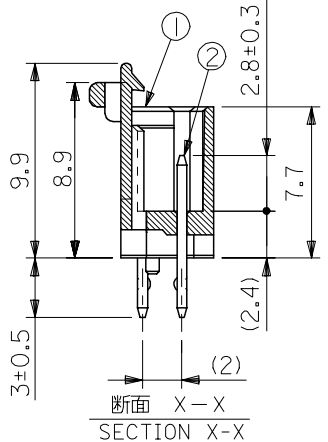
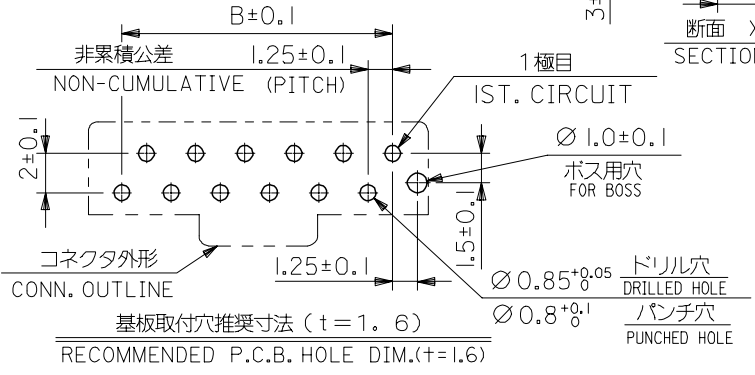
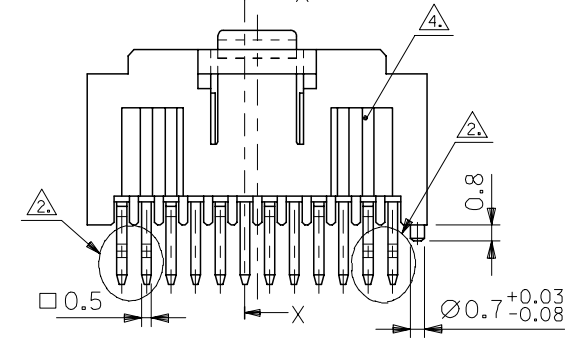
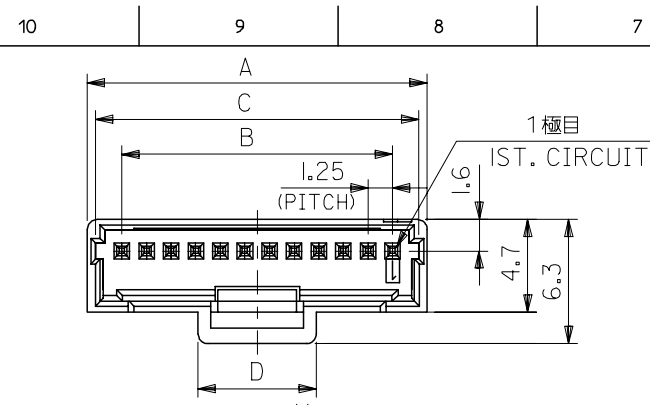
[55447Series](#)

Mates With

[51336](#) PBT Polyester, Glass-filled Housing.
[54596](#) PA Polyamide Housing

This document was generated on 04/16/2010

PLEASE CHECK WWW.MOLEX.COM FOR LATEST PART INFORMATION



番号 NO.	名称 NAME	原料 MATERIAL	数量 QTY	仕上げ FINISH
①	ウエハー WEFAR	ナイロン NYLON	1	UL94V-0
②	ピン PIN	黄銅 BRASS	N	全体鍍メッキ PRE-TINNED

注)NOTES 1.原料および仕上げ:表参照
 MATERIAL AND FINISH : SEE CHART
 △キンは、両サイド4ピンに適用。(4極品までは、全極に適用) TO BE APPLICABLE 4 PIN OF BOTH SIDE.
 △製品番号 MATERIAL NO. 55447-***7*
 極数CIRCUIT SIZE (02 ~ 20)
 メッキ仕様:無鉛 PLATING:LEAD FREE
 色 COLOR 0:自然色 NATURAL
 2:赤 RED, 3:黄 YELLOW

△4) 側面の溝は、10極以上に適用。
 SIDE DITCHES MUST BE APPLICABLE OVER 10 CIRCUIT SIZE.

6	26.4	23.75	27.25	20	55447-207*
	25.15	22.5	26	19	-197*
	23.9	21.25	24.75	18	-187*
	22.65	20	23.5	17	-177*
	21.4	18.75	22.25	16	-167*
	20.15	17.5	21	15	-157*
	18.9	16.25	19.75	14	-147*
	17.65	15	18.5	13	-137*
	16.4	13.75	17.25	12	-127*
	15.15	12.5	16	11	-117*
4.75	13.9	11.25	14.75	10	-107*
	12.65	10	13.5	9	-097*
	11.4	8.75	12.25	8	-087*
	10.15	7.5	11	7	-077*
	8.9	6.25	9.75	6	-067*
	7.65	5	8.5	5	-057*
	6.4	3.75	7.25	4	-047*
D	5.15	2.5	6	3	-037*
	3.9	1.25	4.75	2	55447-027*

REVISED		GENERAL TOLERANCES (UNLESS SPECIFIED)		DIMENSION STYLE		SCALE	DESIGN UNITS	THIRD ANGLE PROJECTION	
EC NO: J2006-0438	2005/08/08	10 UNDER ±0.2		MM ONLY		4:1	METRIC	MINI M12 1-ROW WAFER ASS'Y (SN) -LEAD FREE-	
DRW:MNABEI	2005/08/09	10 OVER 30 UNDER ±0.25		DRAWN BY DATE		TITLE		MOLEX MOLEX INCORPORATED	
CHK:KATOYODA	2005/08/09	30 OVER ±0.3		CHECKED BY DATE		MATERIAL NO.		DOCUMENT NO. SHEET NO.	
APP:NUKITA	2005/08/19	ANGULAR ±3 °		APPROVED BY DATE		SEE CHART		SD-55447-010 1 OF 2	
A		DRAFT WHERE APPLICABLE MUST REMAIN WITHIN DIMENSIONS		SIZE		THIS DRAWING CONTAINS INFORMATION THAT IS PROPRIETARY TO MOLEX INCORPORATED AND SHOULD NOT BE USED WITHOUT WRITTEN PERMISSION			

10 9 8 7 6 5 4 3 2 1

F

E

D

C

B

A

F

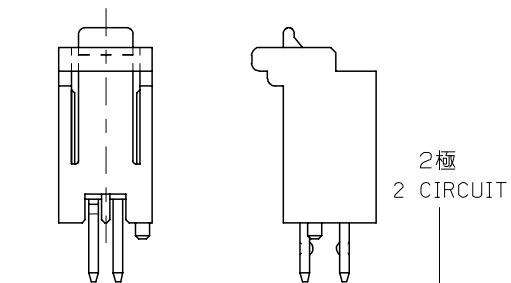
E

D

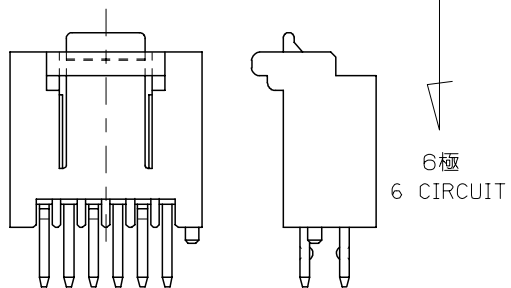
C

B

A

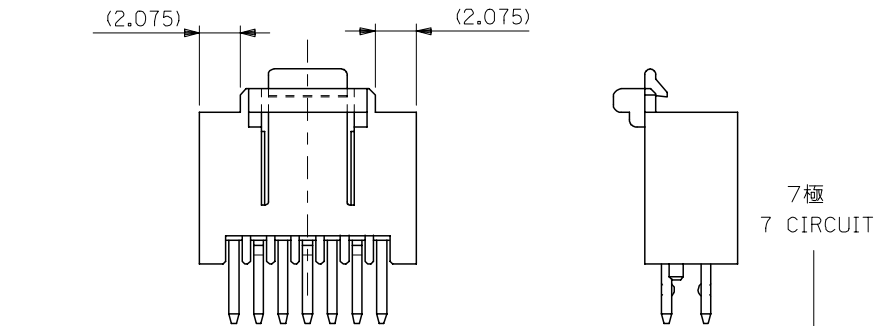


2極
2 CIRCUIT

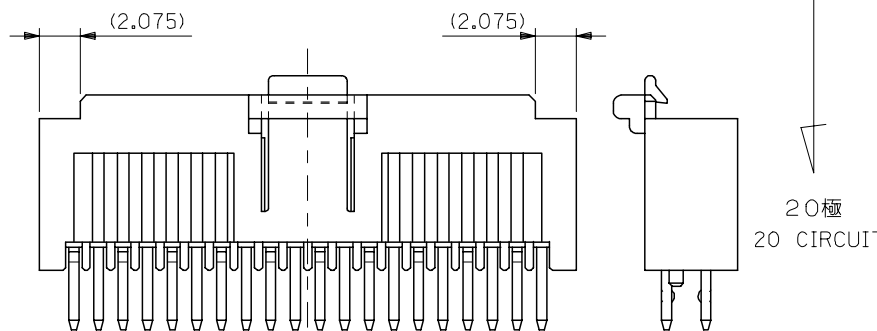


6極
6 CIRCUIT

2極~6極のハウジング形状
SHAPE OF HS'G FROM 2 TO 6 CIRCUIT



7極
7 CIRCUIT



20極
20 CIRCUIT

7極~20極のハウジング形状
SHAPE OF HS'G FROM 7 TO 20 CIRCUIT

REVISED EC NO: J2006-0438 DRW: NABEI 2005/08/08 CHK: KTOYODA 2005/08/09 APPR: NUKITA 2005/08/19	GENERAL TOLERANCES (UNLESS SPECIFIED)		DIMENSION STYLE MM ONLY		SCALE 4:1	DESIGN UNITS METRIC	THIRD ANGLE PROJECTION	
	10 UNDER	±0.2	DRAWN BY N. YOSHIDA	DATE '03/02/07	TITLE MINI M12 1-ROW WAFER ASS'Y (SN) -LEAD FREE-			
	10 OVER 30 UNDER	±0.25	CHECKED BY M. YAGI	DATE '03/02/07				
	30 OVER	±0.3	APPROVED BY Y. ITO	DATE '03/02/07	MOLEX INCORPORATED DOCUMENT NO. SD-55447-010 SHEET NO. 2 OF 2			
	ANGULAR	±3 °	MATERIAL NO. SEE CHART					
DRAFT WHERE APPLICABLE MUST REMAIN WITHIN DIMENSIONS		SIZE A3		THIS DRAWING CONTAINS INFORMATION THAT IS PROPRIETARY TO MOLEX INCORPORATED AND SHOULD NOT BE USED WITHOUT WRITTEN PERMISSION				

9

8

7

6

5

4

3

2