

Subminiature PC Board Sockets

Material

Shell and Center Contact — Brass per MIL-C-50 and QQ-B-626

Dielectric — Polypropylene, or polymethylpentene, general purpose

Finish

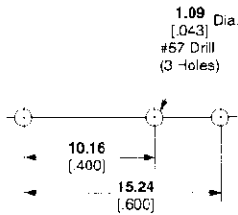
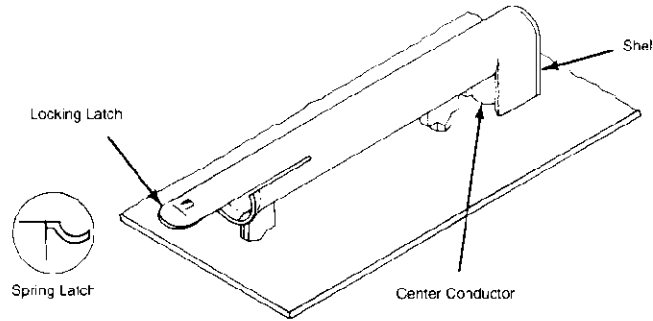
Center Contact — 0.00076(.000030) gold per MIL-G-45204 over copper per M L-C-14550

Shell — Gold

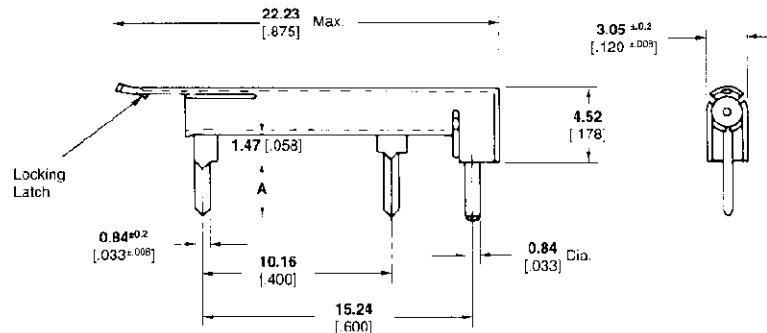
Performance Characteristics

Dielectric Withstanding Voltage — 600 volts, rms

Operating Temperature Range — -55°C to +85°C



Recommended Mounting Hole Layout

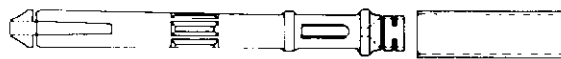


Type	PC Board Thickness	Dim. L	Part No.
Spring Latch	1.57 .062	2.54 .100	226023-1
Locking Latch	1.57 .062	2.54 .100	226060-1

Mating Subminiature COAXICON Pins

These short Subminiature COAXICON Pins are recommended for use with any of the sockets listed above.

Note: Alignment springs are not required for this application and are not included with the pin assemblies.



RG/U Cable	Ferrule No.	Integral Die Hand Tool	Die Insert for Tools: Hand Tool 59710-1 Pneu. 69365-2, 69365-3	Part No.
178, 173A, 176B 196, 196A	1-332057-0	69656-2	69690-2	51563-9
1/4 316, 188, 188A	1-332056-0	69656	69690	51563-8
179, 179A, 179B 187, 187A	1-332056-0	69656-1	69690-1	51563-8
161	1-332056-0	69656-5	—	51563-8