

Features

- IEC input connector.
- Depth narrow type.
- Leak current lower than 0.5mA (250V_{AC}, 60Hz).

Applications

- Medical equipments, PCs, Word processors, Printers and Measuring devices

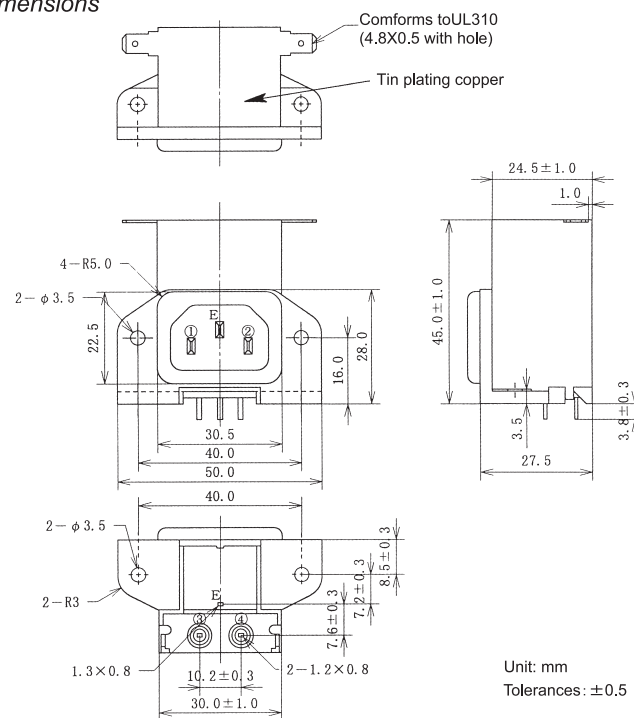


Safety Agency	Standard	File No.
UL	: UL-1283	E78644
C-UL	: C22.2, No.8-M1986	E78644
SEMKO	: EN133200	SE/0142-26

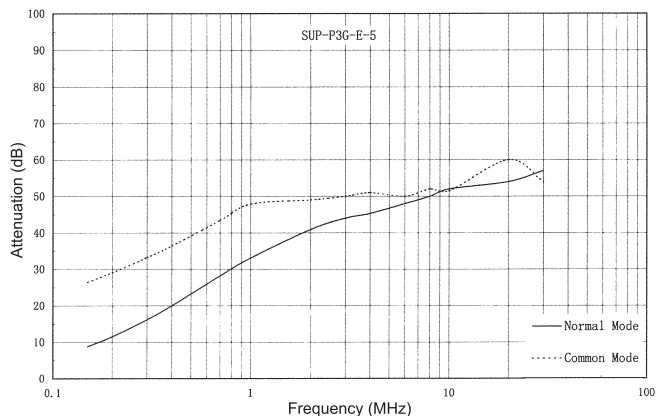
The "ENCE" mark is a common European product certification mark based on testing to harmonised European safety standard.



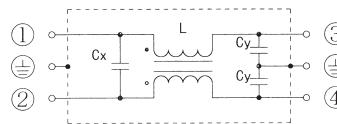
Dimensions



Static characteristics



Circuit



Recommended torque tightness less than 0.6N · m.

Electrical Specifications

Rated Voltage **250VAC**

Safety Agency	Model Number	Rated Current (A)	Test Voltage	Insulation Resistance	Leakage Current (max)	Voltage Drop (max)	Temperature Rise (max)	Operating Temperature (°C)	Insertion losses	
									Normal Mode (MHz)	Common Mode (MHz)
	SUP-P3G-E-5	3	L to L 1000Vrms 50/60Hz 60sec Line to Ground 2000Vrms 50/60Hz 60sec	Line to Ground 6000MΩmin (at 500V _{DC})	0.5mA (at 250Vrms 60Hz)	0.6Vrms	35deg	-25 ~ +50	*1 3.0 ~ 30	*2 2.0 ~ 30
	SUP-P6G-E-5	6							*1 3.0 ~ 30	*2 2.0 ~ 30

Guaranteed attenuation is more than 25dB of *1 and more than 35dB of *2.