

STK3041,3061 3081,3101

thick film hybrid IC

VOLTAGE AMP. FOR 30 to 100W
AF POWER AMP.

Features

- Load short detection

- Built-in muting transistor

MAXIMUM RATINGS / $T_a=25^\circ\text{C}$

	STK 3041	STK 3061	STK 3081	STK 3101	unit
Maximum Supply Voltage	± 55	± 59	± 65	± 75	V
Operating Case Temperature	\rightarrow	\rightarrow	\rightarrow	115	$^\circ\text{C}$
Storage Temperature	\rightarrow	\rightarrow	\rightarrow	-30 to +115	$^\circ\text{C}$

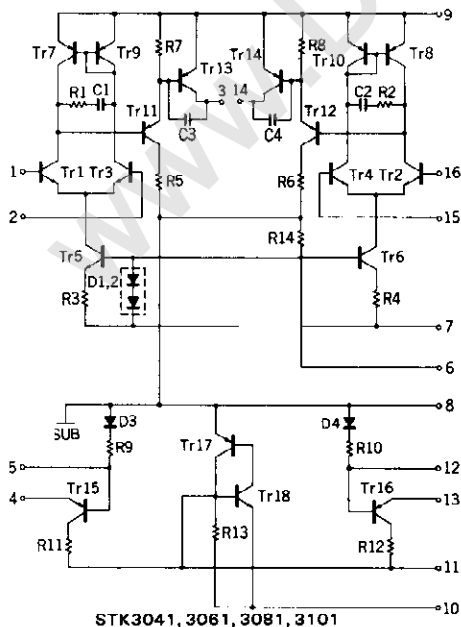
RECOMMENDED OPERATING CONDITIONS / $T_a=25^\circ\text{C}$

	STK 3041	STK 3061	STK 3081	STK 3101	unit
Recommended Supply Voltage	± 36	± 41	± 47	± 50	V
Load Resistance	\rightarrow	\rightarrow	\rightarrow	∞	ohm

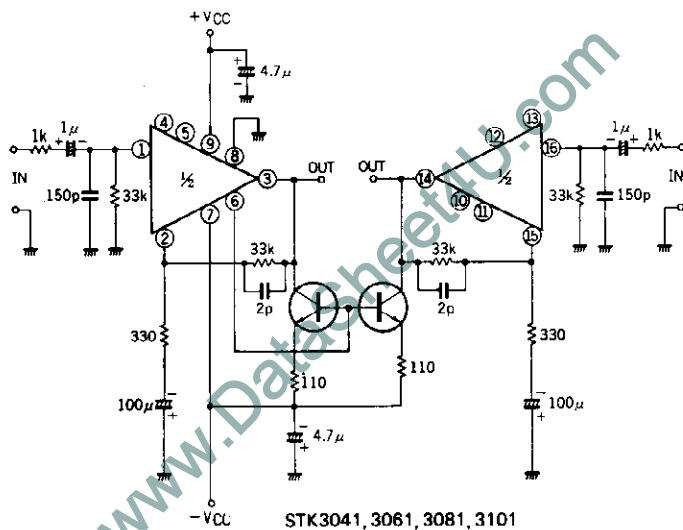
OPERATING CHARACTERISTICS / $T_a=25^\circ\text{C}$, $V_G=40\text{dB}$

	STK 3041	STK 3061	STK 3081	STK 3101	unit
Current Dissipation	30	35	40	40	mA max
Middle Point Voltage	\rightarrow	\rightarrow	\rightarrow	-70 to +70	mV
Output Noise Voltage	\rightarrow	\rightarrow	\rightarrow	1.0	mV max
Input Impedance	\rightarrow	\rightarrow	\rightarrow	33k	ohm
Total Harmonic Distortion	\rightarrow	\rightarrow	\rightarrow	0.01	% max

EQUIVALENT CIRCUIT



APPLICATION



TENTATIVE

Notice: Some specifications are subject to change.