

www.DataSheet4U.com

- **RATED 2-6W OUTPUT**
- **HIGH POWER DENSITY**
- **24PIN DIP PACKAGE**
- **SINGLE OUTPUT**
- **D:DIP 24 PACKAGE**
- **INDUSTRIAL STANDARD PIN-OUT**
- **NO HEAT SINK REQUIRED**
- **1KVDC ISOLATION**
- **WIDE INPUT(2:1)**
- **REGULATED OUTPUT**
- **PCB MOUNTING**
- **SHORT CIRCUIT PROTECT**



ELECTRICAL SPECIFICATIONS

All specifications tested typically @ 25°C, humidity<75%, nominal input and rated output unless otherwise noted.

OUTPUT SPECIFICATIONS

Items:	Testing condition	Min	Typ	Max
Output accuracy:	At full load and nominal Vin			±2%
Line regulation:	Input voltage from low to full load			+/-0.5%
Load regulation:	From 20% to full load			+/-0.5%
Ripple and noise:	20MhzBandwidth			60 mV p-p
Temperature drift:				±0.02 %/°C
Minimum load				10%
Switching frequency			250KHz	
Over load protection	% of FL at nominal input		120	
Short circuit protection	Continuous And Automatic Recovery>30sec			

INPUT SPECIFICATIONS

Items:	Testing condition	Min	Typ	Max
Input voltage range	5VDC input		4.5~9VDC	
	12VDC input		9-18VDC	
	24VDC input		18-36VDC	
	48VDC input		36-72VDC	
Input filter		Pi		
Start-up time	Nominal Vin and certain load		100mS	

COMMON SPECIFICATIONS

Items		Min	Typ.	Max
Operating temperature range		-40°C		+65°C
Storage temperature range		-55°C		+125°C
Humidity				<90%
Cooling	Free Air Convection			
Isolation voltage (VDC)	Input to Output		1,000	
Isolation resistance (ohms)			10 ⁹	

www.DataSheet4U.com

Isolation capacitance (pF)				60
Efficiency (%)	See Product List	70		85
Case material	Non-conductive black plastic			
Potting material	Epoxy Resin UL94-V0			
Packing material	Tube			
Dimension (mm)	30.8x20.3x10.14			
Weight (g)	14.5			
MTBF (Hrs)	>1,000,000			

PRODUCT LIST

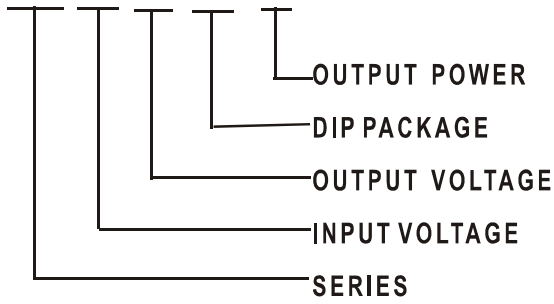
Part Number	Input Voltage (VDC)			Output		Efficiency (%, Typ.)	Package
	Range	Nominal	Max.	Current (mA)max	Voltage (VDC)		
WRB0505D-2W	4.5~9.0	5	9	400	5	70	DIP
WRB1205D-3W	9.0-18.0	12	18	600	5	75	DIP
WRB1212D-2W	9.0-18.0	12	18	167	12	80	DIP
WRB1212D-3W	9.0-18.0	12	18	250	12	81	DIP
WRB1212D-4W	9.0-18.0	12	18	334	12	82	DIP
WRB1212D-5W	9.0-18.0	12	18	420	12	82	DIP
WRB243R3D-5W	18.0-36.0	24	36	1200	3.3	72	DIP
WRB2405D-3W	18.0-36.0	24	36	600	5	75	DIP
WRB2405D-4W	18.0-36.0	24	36	800	5	76	DIP
WRB2405D-5W	18.0-36.0	24	36	1000	5	76	DIP
WRB2412D-2W	18.0-36.0	24	36	167	12	79	DIP
WRB2412D-3W	18.0-36.0	24	36	250	12	80	DIP
WRB2412D-4W	18.0-36.0	24	36	334	12	81	DIP
WRB2412D-5W	18.0-36.0	24	36	420	12	81	DIP
WRB2415D-2W	18.0-36.0	24	36	134	15	80	DIP
WRB4805D-2W	36.0-72.0	48	75	400	5	75	DIP
WRB4805D-4W	36.0-72.0	48	75	800	5	76	DIP
WRB4805D-4W	36.0-72.0	48	75	800	5	77	DIP
WRB4805D-5W	36.0-72.0	48	75	1000	5	78	DIP
WRB4812D-2W	36.0-72.0	48	75	167	12	79	DIP
WRB4812D-4W	36.0-72.0	48	75	334	12	80	DIP
WRB4812D-5W	36.0-72.0	48	75	420	12	82	DIP
WRB4812D-6W	36.0-72.0	48	75	470	12	82	DIP
WRB2424D-6W	18~36	24	36	250	24	80	DIP

If you need other modules, please tell details.

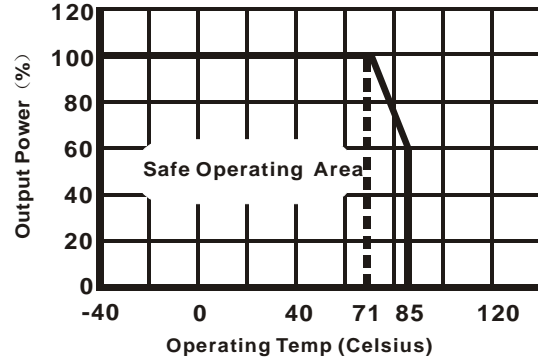
www.DataSheet4U.com

NOMENCLATURE

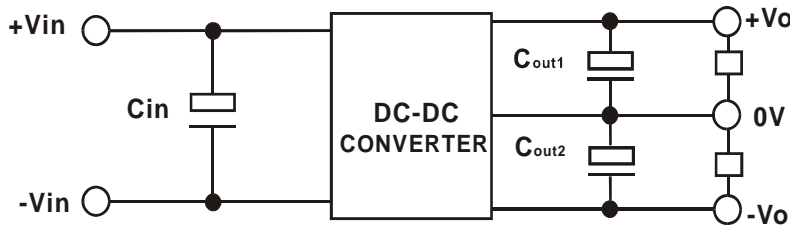
WRB 12 05 D - 2W



TEMPERATURE DERATING GRAPH

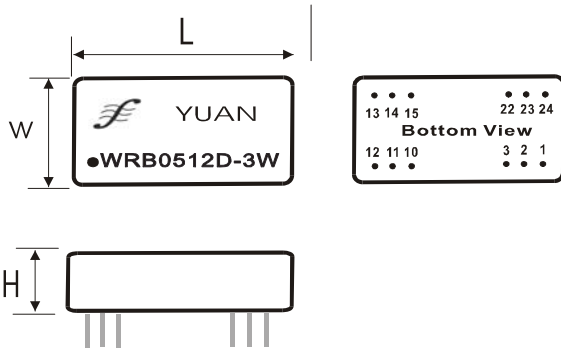


TYPICAL CONNECTION



OUTLINE DIMENSION

Power	SIP(LxWxH)	DIP(LxWxH)
5W	—	30.8x20.3x10.14



Package	Vin	GND	-VO	0V	+VO
WRB	1,24	12,13	—	10,15	11,14

PINS DESCRIPTION

Pin	Connection	
1, 24	+Vin	Input
12,13	GND	Input
11, 14	+Vo	Output
10,15	0V	Output
2,3,22,23	NC	

SHENZHEN SUNYUAN TECHNOLOGY CO., LTD.

3F, 3Bldg, Duoli Industrial Zone,
 Meihua Rd. Futian District,
 Shenzhen 518049, China
 Tel: +86-755-83100080
 Fax: +86-755-83116652