



TAI-SAW TECHNOLOGY CO., LTD.

No. 3, Industrial 2nd Rd., Ping-Chen Industrial District,
Taoyuan, 324, Taiwan, R.O.C.

TEL: 886-3-4690038 FAX: 886-3-4697532

E-mail: tstsales@mail.taisaw.com Web: www.taisaw.com

Approval Sheet For Product Specification

Issued Date:

Product Name: SAW Resonator 435.72 MHz SMD 5X5 mm

TST Parts No.: TC0250A

Customer Parts No.: _____

Company: _____
Division: _____
Approved by : _____
Date: _____

Checked by: Louis Chien

Approval by: Francis Chen

Date: 2004/05/28



TAI-SAW TECHNOLOGY CO., LTD.

No. 3, Industrial 2nd Rd., Ping-Chen Industrial District,
Taoyuan, 324, Taiwan, R.O.C.

TEL: 886-3-4690038 FAX: 886-3-4697532

E-mail: tstsales@mail.taisaw.com Web: www.taisaw.com

SAW Resonator 435.72 MHz

MODEL NO.: TC0250A

REV. NO.:1

A. FEATURES:

1. 1-Port Resonator.

B. MAXIMUM RATING:

1. Input Power Level: 0 dBm
2. DC voltage: 12 V
3. Operating Temperature: -40°C to +85°C
4. Storage Temperature: -40°C to +85°C

C. ELECTRICAL CHARACTERISTICS:

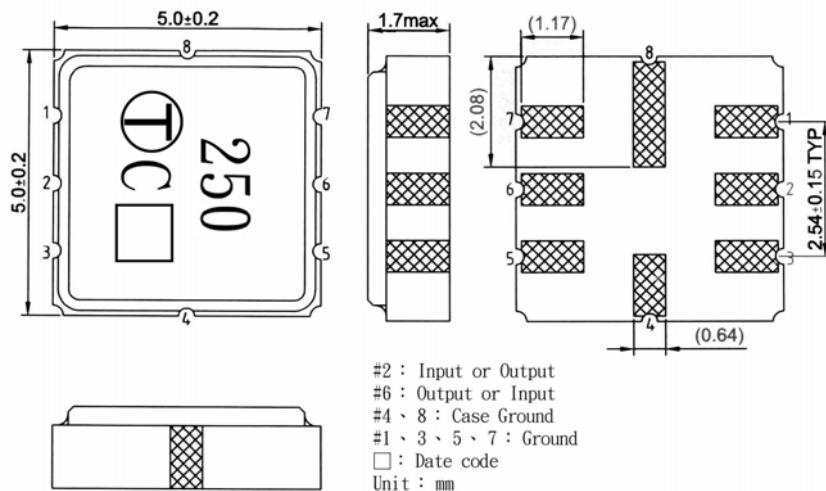
Reference Temperature $T_A=25^\circ\text{C}$

Characteristic	Units	Minimum	Typical	Maximum
Center frequency F_c	MHz	435.645	435.72	435.795
Insertion Loss IL	dB	-	1.2	2.0
Unload quality factor Q_U		6000	11000	-
Ageing of f _c	ppm/yr	-	-	±10
Motional capacitance C1	fF	-	1.68	-
Motional inductance L1	μH	-	85.4	-
Motional resistance R1	Ohm	-	17.8	-
Parallel capacitance C_o	pF	-	3.08	-
Frequency Temperature coefficient (TC _f)	ppm/c*2	-	0.032	-
Turnover To	deg.C	10	25	40
Package size	SMD 5X5X1.4mm			

RoHS Compliant
Lead free
Lead-free soldering

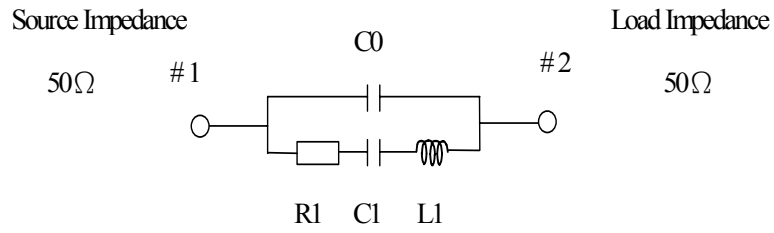
Temperature dependence of f_c: $f_c(T_A)=f_c(T_O)(1+TC_f(T_A-T_O)^2)$

D. OUTLINE DRAWING:

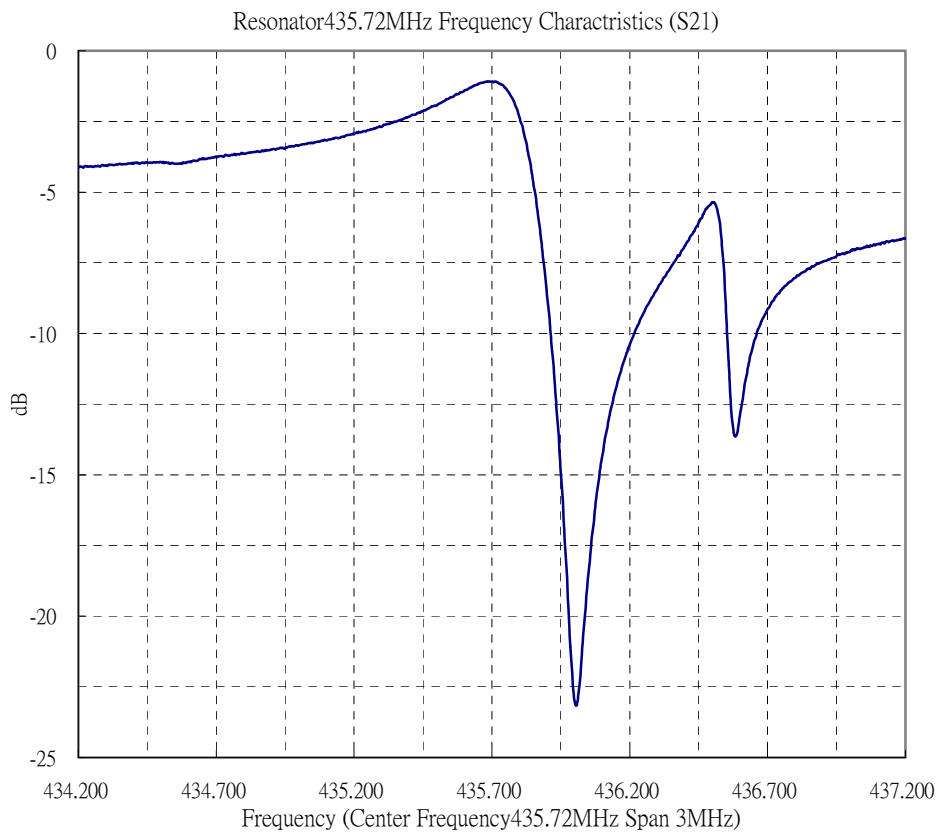


E. EQUIVALENT CIRCUIT:

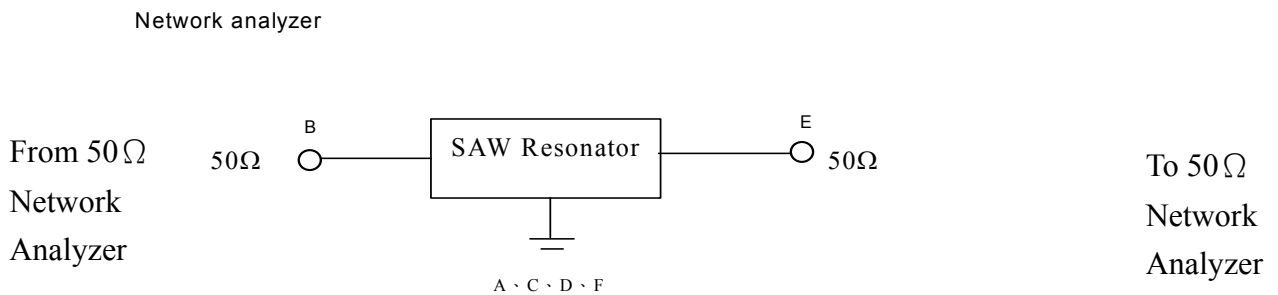
One-Port Resonator:



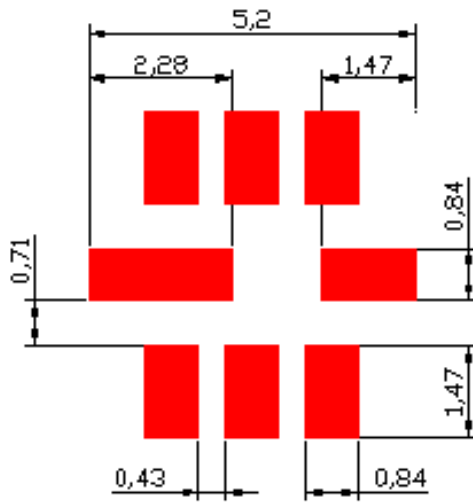
F. FREQUENCY CHARACTERISTICS:



G. TEST CIRCUIT:

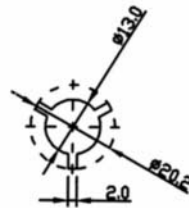
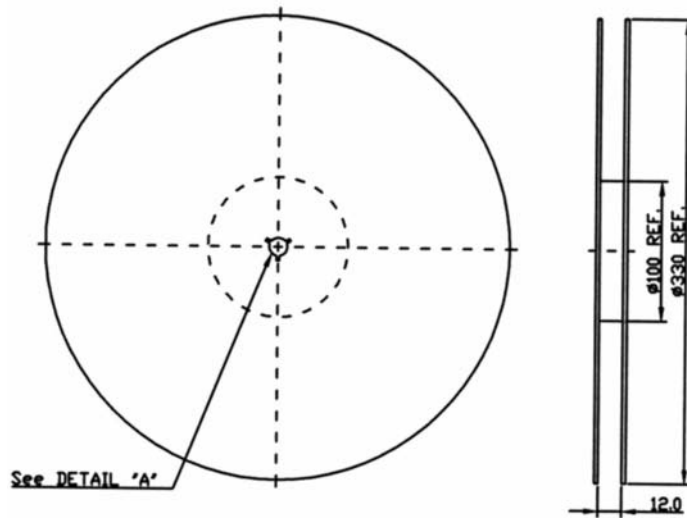


H. PCB Foot Print:



H. PACKING:

1. REEL DIMENSION



2.TAPE DIMENSION

