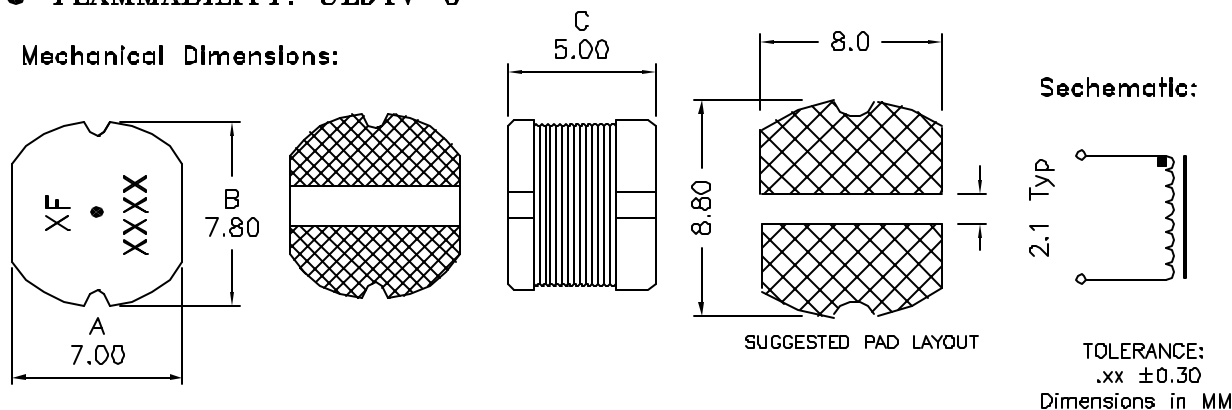


XFSDR75 SERIES INDUCTORS

- LOW PROFILE SMD TYPE FOR HIGH CURRENT APPLICATION
- TAPE AND REEL PACKAGING FOR HIGH VOLUME MANUFACTURING
1000 PCS PER 13" REEL
- FOR DC/DC CONVERTERS, DC/AC INVERTERS, VRM APPLICATION
- TEMP. RISE: 30°C TYPICAL ABOVE 60°C AMBIENT
- OPERATING TEMP.: -40°C TO +130°C
- FLAMMABILITY: UL94V-0

Mechanical Dimensions:



Part Number	INDUCTANCE μH ±20%	TEST FREQ. KHz	RDC Ohms Max	IDC A Max
XFSDR75-100 □	10.00	100	0.070	2.30
XFSDR75-120 □	12.00	100	0.080	2.00
XFSDR75-150 □	15.00	100	0.090	1.80
XFSDR75-180 □	18.00	100	0.100	1.60
XFSDR75-220 □	22.00	100	0.110	1.50
XFSDR75-270 □	27.00	100	0.120	1.30
XFSDR75-330 □	33.00	100	0.130	1.20
XFSDR75-390 □	39.00	100	0.160	1.10
XFSDR75-470 □	47.00	100	0.180	1.10
XFSDR75-560 □	56.00	100	0.240	0.94
XFSDR75-680 □	68.00	100	0.280	0.85
XFSDR75-820 □	82.00	100	0.370	0.78
XFSDR75-101 □	100.00	100	0.430	0.72
XFSDR75-121 □	120.00	100	0.470	0.66
XFSDR75-151 □	150.00	100	0.640	0.58
XFSDR75-181 □	180.00	100	0.710	0.51
XFSDR75-221 □	220.00	100	0.960	0.49
XFSDR75-271 □	270.00	100	1.110	0.42
XFSDR75-331 □	330.00	100	1.260	0.40
XFSDR75-391 □	390.00	100	1.770	0.36
XFSDR75-471 □	470.00	100	1.960	0.34

1. INDUCTANCE TEST CONDITIONS: 100KHz 100mV
2. □ Please specify inductance tolerance (K±10%,L±15%,M±20%,J±5%), and need to stamp the tolerance □ end of the P/N in the marking except tolerance M.