

PLEASE CHECK WWW.MOLEX.COM FOR LATEST PART INFORMATION

Part Number: [1200905074](#)
Status: **Active**
Overview: [nanochange 40m841 products](#)
Description: Nano-Change® (M8) Receptacle, M8 x 0.5 Mounting Threads, Straight Male, Male Length 0.50m (1.64') Length, with 4 Poles on Mating Side

Documents:

[Drawing \(PDF\)](#) [RoHS Certificate of Compliance \(PDF\)](#)

Agency Certification

UL E152210

General

Product Family Industrial Receptacles
 Series [120090](#)
 IP Rating IP67
 NEMA Rating NEMA 6
 Overview [nanochange 40m841 products](#)
 Product Name Nano-Change® (M8)
 Type Single Ended (pigtail)

Physical

Coupling Type External Thread
 Gender Male
 Keyway None
 Length 0.20m (7.87")
 Material - Component Nickel-plated Brass
 Mounting Thread Size M8 x 0.5
 Orientation Straight
 Panel Mount Back, Front
 Poles 4
 Temperature Range - Operating -25°C to +90°C
 Wire Size AWG 24
 Wire/Cable Type Leads

Electrical

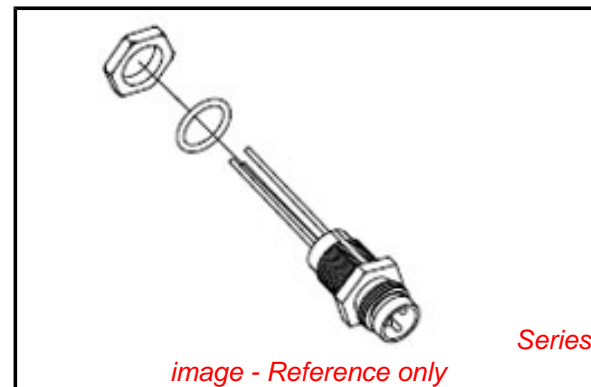
Current - Maximum per Contact 4A
 Voltage - Maximum 60V AC / 75V DC

Material Info

Old Part Number 4R4F06E02C200

Reference - Drawing Numbers

Sales Drawing SD-120090-003



EU RoHS

**ELV and RoHS
 Compliant
 REACH SVHC
 Not Reviewed
 Halogen-Free
 Status
 Not Reviewed**

China RoHS



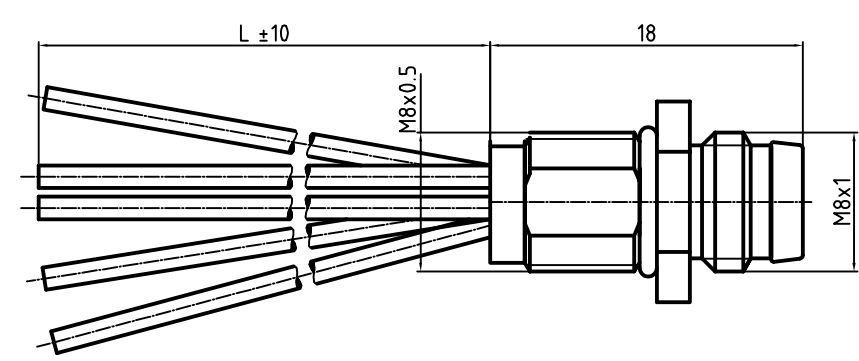
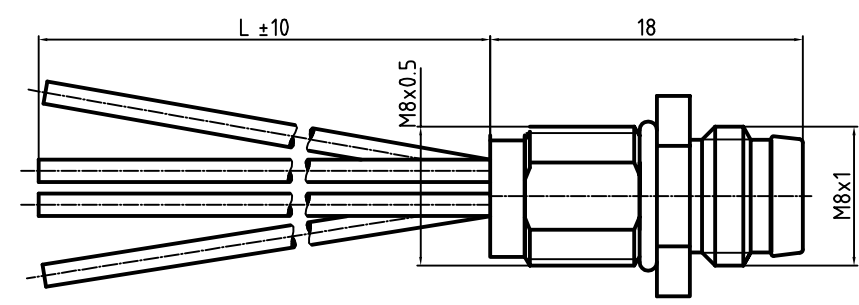
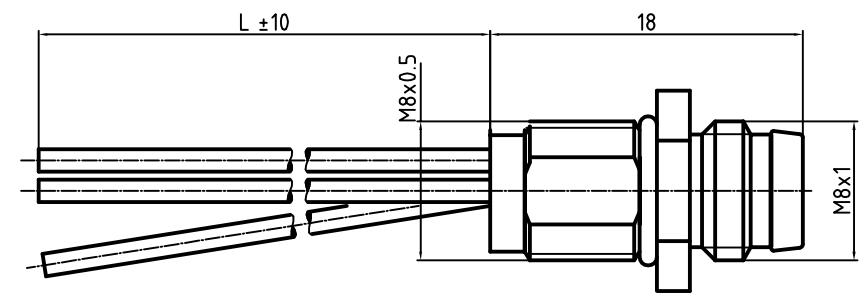
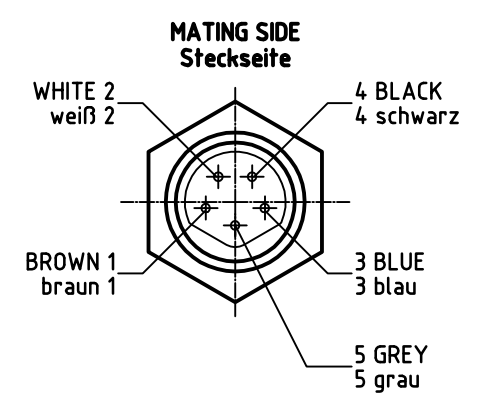
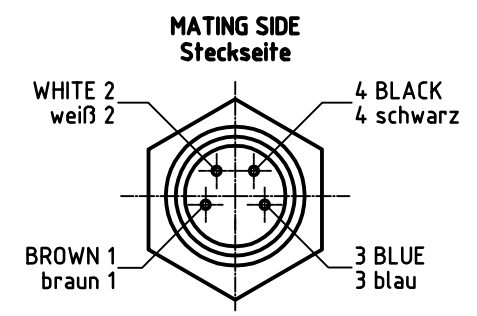
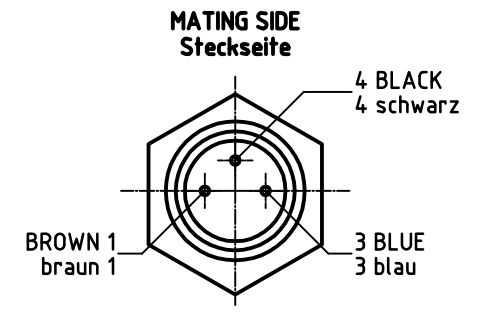
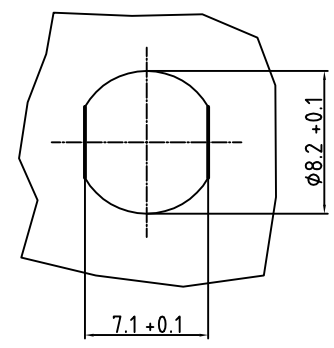
Need more information on product environmental compliance?

Email productcompliance@molex.com
 For a multiple part number RoHS Certificate of Compliance, [click here](#)

Please visit the [Contact Us](#) section for any non-product compliance questions.

Search Parts in this Series
[120090Series](#)

MOUNTING HOLE
Montageausschnitt



NOTES / Bemerkung:

1	CRIMP CONTACT Crimp Kontakt	WN-00003
2	CABLE LENGTH TOLERANCE Kabellängentoleranz	WN-00004
3	POTTING Verguss	ES-120000-019
4	PACKAGING FOR RECEPTACLE Verpackung für Gerätestecker	PK-120000-018
5	PIN-ASSIGNMENT Pin-Belegung	IEC 61076-2-104
6	WINDING SPECIFICATION Wickelvorschrift	ES-120000-020

SAP-NUMBER SAP-Nummer	OLD MATERIAL-NO. alte Artikel-Nr.	LENGTH Länge	REPLACED Ersatz für
1200905069	4R3F06E02C200	0.2 M	0908 031GM 09000
1200905074	4R4F06E02C200	0.2 M	0908 041GM 09000
1200905075	4R4F06E02C500	0.5 M	0908 041GM 09003
1200905079	4R5F06E02C200	0.2 M	0908 051GM 09000

DESCRIPTION EC NO.: WEU2009-0457 DRWN: BBRAUCH CH'KD: --- APPR: JKOLB	6/24/09 2009/09/15	QUALITY SYMBOLS ▽ = 0 ∇ = 0
---	-----------------------	-----------------------------------

GENERAL TOLERANCES (UNLESS SPECIFIED)	
	mm INCH
4 PLACES	±--- ±---
3 PLACES	±--- ±---
2 PLACES	±0.05 ±---
1 PLACE	±0.1 ±---
ANGULAR ± ---- °	
DRAFT WHERE APPLICABLE MUST REMAIN WITHIN DIMENSIONS	

DIMENSION STYLE	
MM	
DRAWN BY	DATE
BB	2009/06/24
CHECKED BY	DATE
JKO	2009/08/05
APPROVED BY	DATE
FP	2009/08/05
MATERIAL NO.	
see table	
SIZE	A3

SCALE	2:1	DESIGN UNITS	METRIC	FIRST ANGLE PROJECTION
M8 MALE RECEPTACLES-XM M8 GERÄTESTECKER-PVC-XM				
MOLEX INCORPORATED				
DOCUMENT NO.			SD-120090-003	SHEET NO.
				1 OF 1
THIS DRAWING CONTAINS INFORMATION THAT IS PROPRIETARY TO MOLEX INCORPORATED AND SHOULD NOT BE USED WITHOUT WRITTEN PERMISSION				