

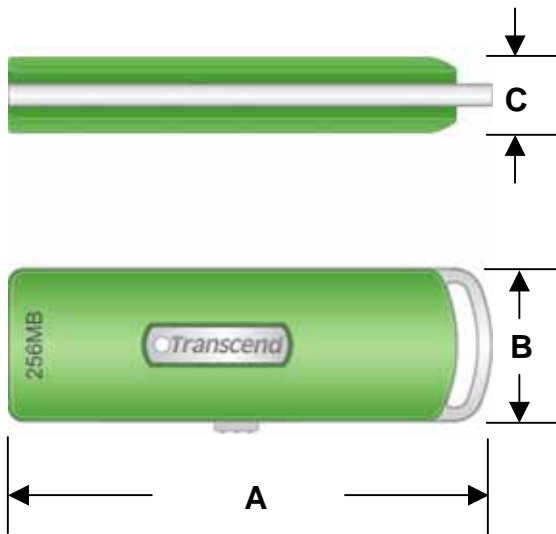
# TS256MJF110

256MB USB2.0 JetFlash™

## Description

TS256MJF110 is a 256MB USB Flash Drive with 1 pcs of 256Mx8 Flash Memory assembled on a printed circuit board.

## Outline



## Features

- Color: Green
- Elegant design with sliding USB connector
- USB 2.0 compatible, true Plug and Play
- Powered directly via the USB port. No external power or battery needed
- LED indicates the usage status of JetFlash110
- JetFlash elite software pack includes (Windows Me/2000/XP/Vista only):
  - Favorites Function: store all your favorite website addresses on the JetFlash™
  - AutoLogin Function: automatically login to websites where you have a password
  - Secret-Zip Function: compress and/or password protect saved files using AES encryption
  - PC-Lock Function: makes JetFlash™ a key to your computer
  - E-Mail Function: use your JetFlash™ to securely send, receive and save e-mails
  - DataBackup Function: backup, restore and synchronize your data

## System Requirement

- Hardware: Desktop or notebook computer with USB port
- Operating System: Windows® 98SE, Windows® Me, Windows® 2000, Windows® XP, Windows® Vista and Mac™ OS 9.0 or later, Linux™ Kernel 2.4.2 or later

## Dimensions

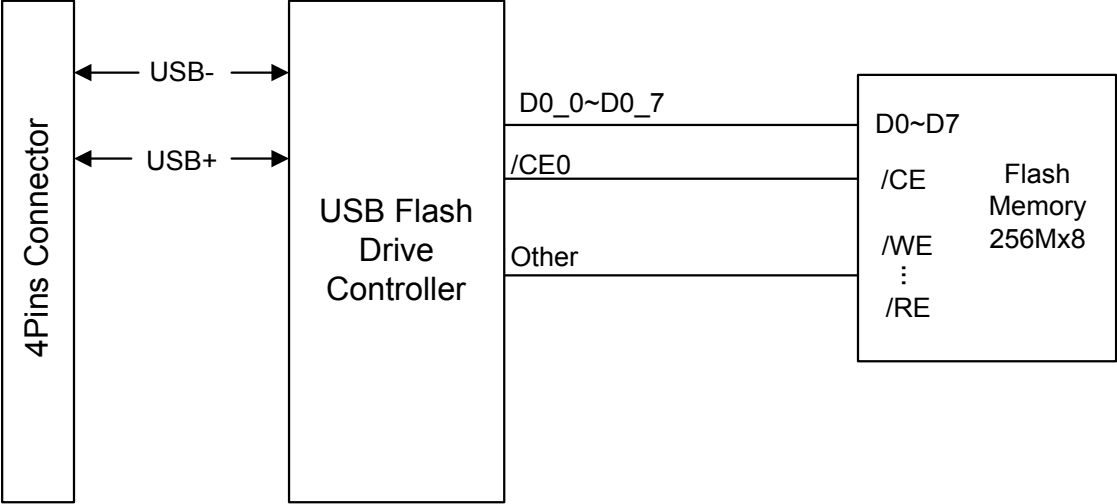
| Side | Millimeters | Inches      |
|------|-------------|-------------|
| A    | 64 ± 1.00   | 2.52 ± 0.04 |
| B    | 21 ± 1.00   | 0.83 ± 0.04 |
| C    | 10 ± 1.00   | 0.40 ± 0.04 |

# TS256MJF110

256MB USB2.0 JetFlash™

## Block Diagram

- With 1 pcs of 256Mx8 Flash Memory



# TS256MJF110

256MB USB2.0 JetFlash™

## Pinouts

| Pin No. | Pin Name |
|---------|----------|
| 01      | VCC      |
| 02      | USB-     |
| 03      | USB+     |
| 04      | VSS      |

## Pin Identification

| Symbol | Function  |
|--------|---|
| USB-   | USB differential signal:                            |
| USB+   | The pairs are used to transmit Data/Address/Command |
| VSS    | Ground  |
| VCC    | USB power input                                     |

## Specifications

| Environment          |               |                  |
|----------------------|---------------|------------------|
| Capacity             |               | 256MB            |
| Temperature          | Operating     | 0 °C to 70 °C    |
|                      | Non-Operating | -40 °C to 85 °C  |
| System Performance   | Read          | 12 MB/sec (Max.) |
|                      | Write         | 8 MB/sec (Max.)  |
| Power Requirement    | Voltage       | DC 5V ± 10%      |
| Data Retention       |               | 10 years         |
| Connector Durability |               | 10,000 times     |
| Erase Cycles         |               | >100,000 times   |
| Certificates         |               | CE, FCC, BSMI    |

# TS256MJF110

256MB USB2.0 JetFlash™

## Absolute Maximum Ratings

| Symbol            | Parameter             | Rating                       | Unit |
|-------------------|-----------------------|------------------------------|------|
| V <sub>CC33</sub> | Power Supply          | -0.3 to 4.0                  | V    |
| V <sub>IN</sub>   | Input Voltage         | -0.3 to V <sub>CC</sub> +0.3 | V    |
| V <sub>OUT</sub>  | Output Voltage        | -0.3 to V <sub>CC</sub> +0.3 | V    |
| V <sub>CC25</sub> | Internal Power Supply | -0.3 to 3.0                  | V    |

**DC Characteristics:** TOPR=0°C~70°C ; V<sub>CC33</sub>=3.0V~3.6V ; V<sub>CC25</sub>=2.25V~2.75V

| Symbol           | Parameter  | Min. | Typ. | Max. | Units |
|------------------|--|------|------|------|-------|
| I <sub>IL</sub>  | Input Leakage Current<br>(No pull-up or pull-down)   | -10  |      | 10   | μA    |
| I <sub>OZ</sub>  | Tri-State Leakage Current  | -10  |      | 10   | μA    |
| V <sub>IL</sub>  | Input Low Voltage  |      |      | 0.8  | V     |
| V <sub>IH</sub>  | Input High Voltage   | 2.0  |      |      | V     |
| V <sub>OL</sub>  | Output Low Voltage (I <sub>OL</sub> =4mA)  |      |      | 0.4  | V     |
| V <sub>OH</sub>  | Output High Voltage (I <sub>OH</sub> =4mA)   | 2.4  |      |      | V     |
| R <sub>t</sub>   | Input pull-up/down resistance<br>(V <sub>IL</sub> =0V or V <sub>IH</sub> = V <sub>CC</sub> ) | 40   | 75   | 190  | KΩ    |
| I <sub>ACT</sub> | Active Current   |      |      | 73   | mA    |
| I <sub>SLP</sub> | Sleep Current  |      |      | 120  | μA    |

## Recommended Operating Conditions

| Symbol            | Parameter             | Min. | Typ.            | Max.                 | Units |
|-------------------|-----------------------|------|-----------------|----------------------|-------|
| V <sub>CC33</sub> | Power Supply Voltage  | 3.0  | 3.3             | 3.6                  | V     |
| V <sub>IN</sub>   | Input Voltage         | 0    | V <sub>CC</sub> | V <sub>CC</sub> +0.3 | V     |
| V <sub>CC25</sub> | Internal Power Supply | 2.25 | 2.5             | 2.75                 | V     |

Above technical information is based on industry standard data and tested to be reliable. However, Transcend makes no warranty, either expressed or implied, as to its accuracy and assumes no liability in connection with the use of this product. Transcend reserves the right to make changes in specifications at any time without prior notice.