

**PLEASE CHECK WWW.MOLEX.COM FOR LATEST PART INFORMATION**

**Part Number:** [0433753001](#)  
**Status:** **Active**  
**Overview:** [sabre](#)  
**Description:** Sabre™ Crimp Terminal, Female, with Tin (Sn) Plated Brass Contact, Double 18-20 AWG, 4.57mm (.180") Max. Insulation Diameter, Reel Packaged

**Documents:**

[Drawing \(PDF\)](#) [RoHS Certificate of Compliance \(PDF\)](#)

**General**

Product Family	Crimp Terminals
Series	<a href="#">43375</a>
Crimp Quality Equipment	Yes
Overview	<a href="#">sabre</a>
Product Literature Order No	USA-113
Product Name	Sabre™

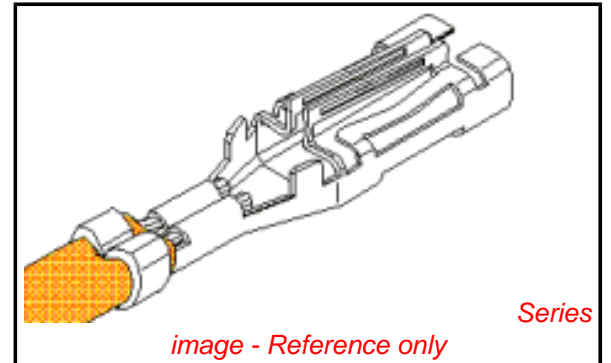
**Physical**

Durability (mating cycles max)	25
Gender	Female
Material - Metal	Brass
Material - Plating Mating	Tin
Material - Plating Termination	Tin
Packaging Type	Reel
Plating min: Mating (µin)	20
Plating min: Mating (µm)	0.50
Plating min: Termination (µin)	20
Plating min: Termination (µm)	0.50
Termination Interface: Style	Crimp or Compression
Wire Insulation Diameter	3.30mm (.130") max.
Wire Size AWG	18, 20
Wire Size mm²	N/A

**Material Info**

**Reference - Drawing Numbers**

Sales Drawing [SD-43375-311](#)



**EU RoHS**

**ELV and RoHS  
Compliant**  
**REACH SVHC  
Contains SVHC: No**  
**Halogen-Free  
Status**

**China RoHS**



**Not Reviewed**

**Need more information on product  
environmental compliance?**

Email [productcompliance@molex.com](mailto:productcompliance@molex.com)  
 For a multiple part number RoHS Certificate of Compliance, [click here](#)

Please visit the [Contact Us](#) section for any non-product compliance questions.

**Search Parts in this Series**

[43375Series](#)

**Mates With**

[43178](#) Male Crimp Terminals

**Use With**

[44441](#) Receptacle Housings

**Application Tooling | FAQ**

*Tooling specifications and manuals are found by selecting the products below. Crimp Height Specifications are then contained in the Application Tooling Specification document.*

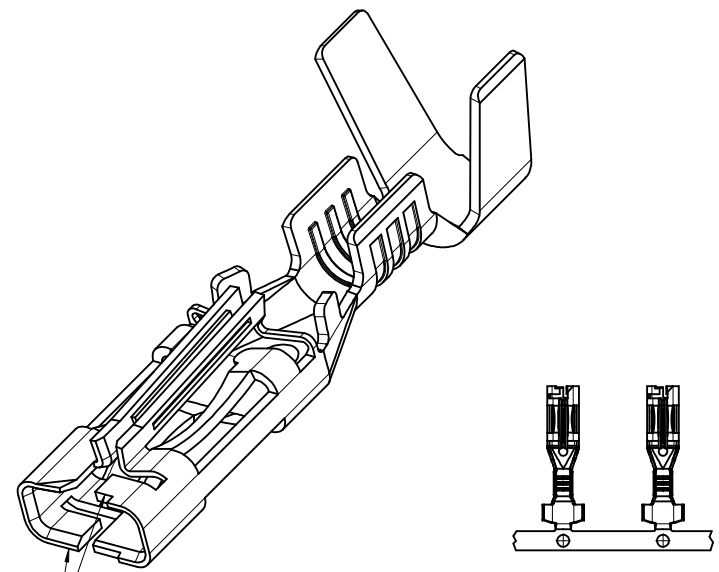
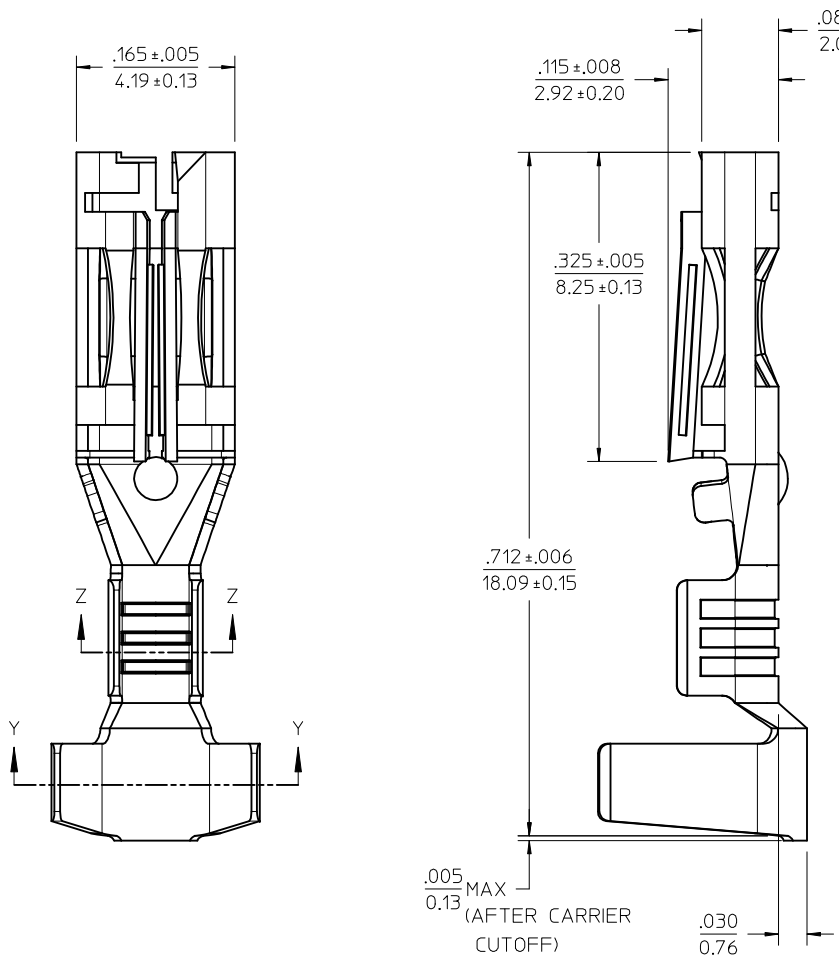
**Global**

Description	Product #
FineAdjust™ Applicator for Sabre™ Flat Blade Crimp Terminal, 18-20 AWG, UL 1015 wires	<a href="#">0639012700</a>
FineAdjust™ Applicator for	<a href="#">0639012800</a>

Sabre™ Flat Blade  
Crimp Terminal,  
18-20 AWG, UL1056  
and SPT 3-wires  
T2 Terminator for 0639112700  
Sabre™ Flat Blade  
Crimp Terminals,  
18-20 AWG, UL1015  
wires  
T2 Terminator for 0639112800  
Sabre™ Flat Blade  
Crimp Terminals,  
18-20 AWG, UL1056  
and SPT-3 wires

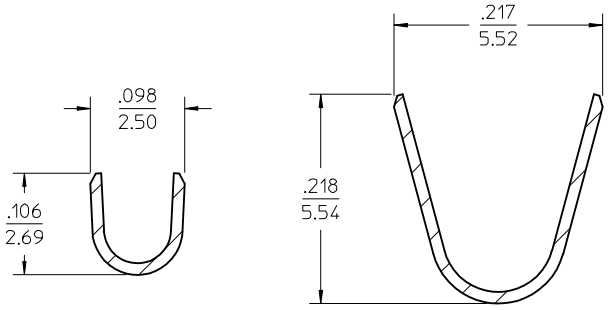
This document was generated on 05/19/2010

**PLEASE CHECK [WWW.MOLEX.COM](http://WWW.MOLEX.COM) FOR LATEST PART INFORMATION**



CARRIER STRIP PROGRESSION  
SCALE 2:1

- NOTES:
1. MATERIAL: BRASS
  2. FINISH: 20 MICROINCH / (0.5 MICROMETER) MIN. HOT TIN DIP OVERALL.
  3. PRODUCT SPECIFICATION: PS-44441-001.
  4. PACKAGING: TERMINALS WOUND ON 24" REELS WITH PAPER INTERLEAF.
  5. THIS TERMINAL FOR USE WITH 18-20 AWG STRANDED WIRE, UL STYLE 1015, 1056 OR SPT-3 WIRE, .180/4.57 MAXIMUM INSULATION DIAMETER.
  6. TERMINAL MATES TO .125/3.18 WIDE X .020/0.51 THICK FLAT BLADE TERMINALS. MATING CRIMP TERMINAL: 43178 SERIES.
  7. TERMINAL HAS TPA (TOTAL POSITIONING ASSURANCE) OPTIONAL ACTIVATION FEATURE THAT WHEN ACTIVATED AND USED WITH MOLEX "SABRE" SERIES RECEPTACLE HOUSINGS, PROVIDES SECONDARY LOCK SYSTEM WHICH ENSURES AGAINST TERMINAL BACKOUTS.



SECTION Z-Z  
CONDUCTOR CRIMP

SECTION Y-Y  
INSULATION CRIMP

<b>ENTER DESCRIPTION</b> EC NO: UCP2009-1607 DRWN: BWIRKUS 2009/04/20 CHKD: BWIRKUS 2009/04/21 APPR: BWIRKUS 2009/04/22	<b>QUALITY SYMBOLS</b> ▽=0 ▽=0	GENERAL TOLERANCES (UNLESS SPECIFIED)		DIMENSION STYLE IN/MM	SCALE 10:1	DESIGN UNITS INCH	THIRD ANGLE PROJECTION	
		4 PLACES ± --- ± ---	3 PLACES ± --- ± .010	DRAWN BY BWIRKUS	DATE 4-17-2009	TITLE TERMINAL, FEM, 18-20 AWG .125/(3.18) WIDE, W/TPA UL 1015, 1056 OR SPT-3		
		2 PLACES ± 0.25 ± .014	1 PLACE ± 0.35 ± ---	CHECKED BY BWIRKUS	DATE 4-17-2009	MOLEX MOLEX INCORPORATED		
		ANGULAR ± 1/2°		APPROVED BY APATEL	DATE 4-20-2009	MATERIAL NO. 433753001		
DRAFT WHERE APPLICABLE MUST REMAIN WITHIN DIMENSIONS		SIZE C		DOCUMENT NO. SD-43375-311		SHEET NO. 1 OF 1		
THIS DRAWING CONTAINS INFORMATION THAT IS PROPRIETARY TO MOLEX INCORPORATED AND SHOULD NOT BE USED WITHOUT WRITTEN PERMISSION								