

**PLEASE CHECK WWW.MOLEX.COM FOR LATEST PART INFORMATION**

**Part Number:** [0505437226](#)  
**Status:** **Active**  
**Description:** Ring Tongue Terminal for 4/0 AWG, Closed Uninsulated Brazed Barrel, Stud Size M24, Oxygen-Free Copper, Length 69.00mm (2.717")

**Documents:**

[Drawing \(PDF\)](#) [RoHS Certificate of Compliance \(PDF\)](#)  
[Product Specification PS-50541-002 \(PDF\)](#)

**General**

Product Family	Ring and Spade Terminals
Series	<a href="#">50543</a>
Crimp Quality Equipment	Yes
Mil-Spec	N/A
Product Name	R (Ring)
Type	Ring

**Physical**

Barrel Type	Closed - Brazed
Insulation	None
Material - Plating Mating	Tin
Packaging Type	Bag
Stud Size	M24
Wire Size AWG	4/0
Wire Size mm <sup>2</sup>	96.3 - 117.2

**Material Info**

**Reference - Drawing Numbers**

Product Specification	PS-50541-002
Sales Drawing	SD-50543-001



Series

image - Reference only

**EU RoHS**

**ELV and RoHS Compliant**  
**REACH SVHC**  
 Not Reviewed  
**Halogen-Free Status**  
 Not Reviewed

**China RoHS**



**Need more information on product environmental compliance?**

Email [productcompliance@molex.com](mailto:productcompliance@molex.com)  
 For a multiple part number RoHS Certificate of Compliance, [click here](#)

Please visit the [Contact Us](#) section for any non-product compliance questions.

**Search Parts in this Series**

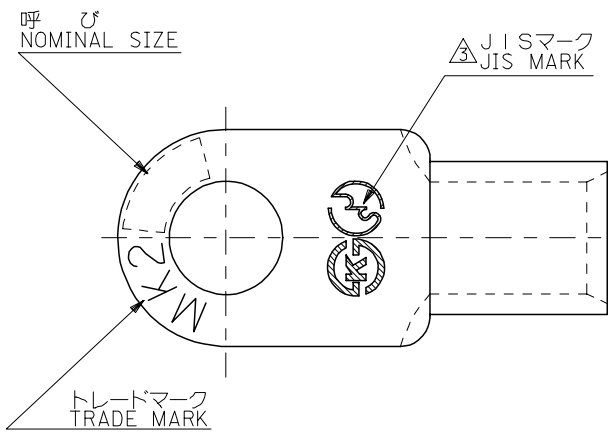
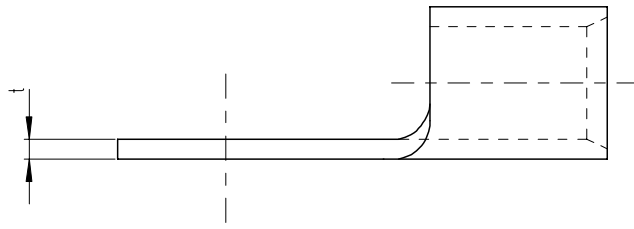
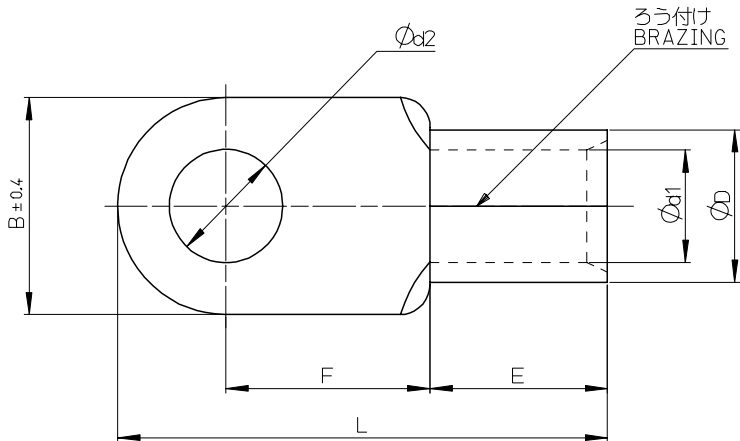
[50543Series](#)

**Application Tooling | [FAQ](#)**

*Tooling specifications and manuals are found by selecting the products below. Crimp Height Specifications are then contained in the Application Tooling Specification document.*

**Japan**

Description	Product #
Tool Kit For 57343-9012	<a href="#">0573439001</a>
Battery Type Hand Crimper For JIS Terminal	<a href="#">0573439004</a>



注記 NOTES

- 1 材質 MATERIAL  
 端子：無酸素銅、錫めっき  
 TERMINAL: OXYGEN-FREE COPPER, TIN PLATING  
 ろう付け部：銀ろう  
 PART OF BRAZING : SILVER SOLDER
- 2 適用電線 APPLICABLE WIRE RANGE

単線 SOLID WIRE	撚線 STRANDED WIRE
10.41-11.68 mm	96.3-117.2 mm <sup>2</sup>

⚠ JIS認定品にのみ刻印。  
 DIE STAMPED MARK IS ALLOWED ONLY  
 FOR JIS FILED PRODUCTS.

	2.65 <sup>+0.22</sup> <sub>-0.1</sub>	25 <sup>+0.4</sup> <sub>-0.1</sub>	69 <sup>+0.4</sup> <sub>-0.8</sub>	32 <sup>+0.8</sup>	21 <sup>+0.8</sup>	16.4 <sup>+0.6</sup> <sub>-0.5</sub>	22.3 <sup>+0.7</sup> <sub>-0.6</sub>	32	100	24	50543-7226
		21 <sup>+0.4</sup> <sub>0</sub>	70 MAX	26 MIN	18.5 MIN	16.4 ±0.5	22.3 <sup>+0.7</sup> <sub>-0.5</sub>			20	50543-7126
JIS	2.6 MN	19 <sup>+0.4</sup> <sub>0</sub>		23.5 MIN						18	50543-7026
		17 <sup>+0.4</sup> <sub>0</sub>		21.5 MIN						16	50543-7925
		15 <sup>+0.4</sup> <sub>0</sub>	20 MIN	14	50543-7825						
	2.65 <sup>+0.22</sup> <sub>-0.1</sub>	13 <sup>+0.4</sup> <sub>-0.1</sub>	69 <sup>+0.4</sup> <sub>-0.8</sub>	32 ±0.8	21 ±0.8	16.4 <sup>+0.6</sup> <sub>-0.5</sub>	22.3 <sup>+0.7</sup> <sub>-0.6</sub>	28.5	100	L12	50543-7725
		10.5 <sup>+0.4</sup> <sub>-0.1</sub>	32 ±0.8	21 ±0.8	16.4 ±0.5	22.3 <sup>+0.7</sup> <sub>-0.5</sub>	L10			50543-7625	
JIS	2.6 MN	8.4 <sup>+0.4</sup> <sub>-0.1</sub>	18.5 MIN	18.5 MIN	16.4 ±0.5	22.3 <sup>+0.7</sup> <sub>-0.5</sub>	L8			50543-7525	
	2.65 <sup>+0.22</sup> <sub>-0.1</sub>	11.5 <sup>+0.4</sup> <sub>-0.1</sub>	55.6 <sup>+0.4</sup> <sub>-0.8</sub>	20.4 ±0.8	21 ±0.8	16.4 <sup>+0.6</sup> <sub>-0.5</sub>	22.3 <sup>+0.7</sup> <sub>-0.6</sub>	28.5	100	12	50543-7425
JIS	2.6 MN	10.5 <sup>+0.4</sup> <sub>0</sub>	56 MAX	15.5 MIN	18.5 MIN	16.4 ±0.5	22.3 <sup>+0.7</sup> <sub>-0.5</sub>			11	50543-7325
		8.4 <sup>+0.4</sup> <sub>-0.1</sub>	55.6 <sup>+0.4</sup> <sub>-0.8</sub>	20.4 ±0.8	21 ±0.8	16.4 <sup>+0.6</sup> <sub>-0.5</sub>	22.3 <sup>+0.7</sup> <sub>-0.6</sub>			10	50543-7225
	2.65 <sup>+0.22</sup> <sub>-0.1</sub>	8.4 <sup>+0.4</sup> <sub>-0.1</sub>	55.6 <sup>+0.4</sup> <sub>-0.8</sub>	20.4 ±0.8	21 ±0.8	16.4 <sup>+0.6</sup> <sub>-0.5</sub>	22.3 <sup>+0.7</sup> <sub>-0.6</sub>	28.5	100	8	50543-7125
		6.4 <sup>+0.4</sup> <sub>-0.1</sub>	55.6 <sup>+0.4</sup> <sub>-0.8</sub>	20.4 ±0.8	21 ±0.8	16.4 <sup>+0.6</sup> <sub>-0.5</sub>	22.3 <sup>+0.7</sup> <sub>-0.6</sub>			6	50543-7025
⚠	t	Ød2	L	F	E	Ød1	ØD	B	呼び NOMINAL SIZE	呼び NOMINAL SIZE	ENG. NO.

RELEASED EC NO: J2007-0312 DR: W. H. YAJIMA 2007/05/17 CHK: K. KASAHARA 2007/05/18 APPR: N. UKITA 2007/05/18	GENERAL TOLERANCES (UNLESS SPECIFIED)		DIMENSION STYLE MM ONLY		SCALE ---	DESIGN UNITS METRIC	THIRD ANGLE PROJECTION			
	10 UNDER	± ---	DRAWN BY DATE H. YAJIMA '06/08/22		TITLE RING TERMINAL					
	10 OVER 30 UNDER	± ---	CHECKED BY DATE K. KASAHARA '06/08/22		APPROVED BY DATE N. UKITA '06/08/22					
	30 OVER	± ---	MATERIAL NO.		DOCUMENT NO.		SHEET NO.			
	ANGULAR ± --- °		SEE CHART		SD-50543-001		1 OF 1			
0	DRAFT WHERE APPLICABLE MUST REMAIN WITHIN DIMENSIONS		SIZE A3		THIS DRAWING CONTAINS INFORMATION THAT IS PROPRIETARY TO MOLEX INCORPORATED AND SHOULD NOT BE USED WITHOUT WRITTEN PERMISSION					