

**PLEASE CHECK WWW.MOLEX.COM FOR LATEST PART INFORMATION**

**Part Number:** [0554471670](#)  
**Status:** **Active**  
**Description:** 1.25mm (.049") Pitch Mi II™ System Wire-to-Board Header, Single Row, Vertical, with Positive Lock, Lead-free, 16 Circuits

**Documents:**

[3D Model](#) [Product Specification PS-54596-018 \(PDF\)](#)  
[Drawing \(PDF\)](#) [RoHS Certificate of Compliance \(PDF\)](#)

**General**

Product Family PCB Headers  
 Series [55447](#)  
 Application Wire-to-Board  
 Product Name Mini Mi II™

**Physical**

Breakaway No  
 Circuits (Loaded) 16  
 Circuits (maximum) 16  
 Color - Resin Natural  
 Durability (mating cycles max) 30  
 First Mate / Last Break No  
 Glow-Wire Compliant No  
 Guide to Mating Part No  
 Keying to Mating Part None  
 Lock to Mating Part Yes  
 Material - Plating Mating Tin  
 Material - Plating Termination Tin  
 Material - Resin Nylon  
 Number of Rows 1  
 Orientation Vertical  
 PC Tail Length (in) 0.118 In  
 PC Tail Length (mm) 3.00 mm  
 PCB Locator Yes  
 PCB Retention Yes  
 PCB Thickness Recommended (in) 0.062 In  
 PCB Thickness Recommended (mm) 1.60 mm  
 Packaging Type Tray  
 Pitch - Mating Interface (in) 0.049 In  
 Pitch - Mating Interface (mm) 1.25 mm  
 Polarized to Mating Part Yes  
 Shrouded Fully  
 Stackable No  
 Surface Mount Compatible (SMC) No  
 Temperature Range - Operating -40°C to +105°C  
 Termination Interface: Style Through Hole

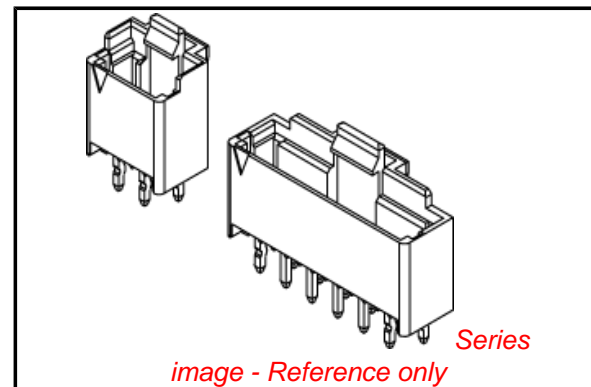
**Electrical**

Current - Maximum per Contact 1.5A  
 Voltage - Maximum 100V

**Material Info**

**Reference - Drawing Numbers**

Product Specification PS-54596-018, RPS-54596-024  
 Sales Drawing SD-55447-010



**EU RoHS**

**ELV and RoHS  
 Compliant**  
**REACH SVHC**  
 Not Reviewed  
**Halogen-Free  
 Status**  
**Not Reviewed**

**China RoHS**



**Need more information on product  
 environmental compliance?**

Email [productcompliance@molex.com](mailto:productcompliance@molex.com)  
 For a multiple part number RoHS Certificate of Compliance, [click here](#)

Please visit the [Contact Us](#) section for any non-product compliance questions.

**Search Parts in this Series**

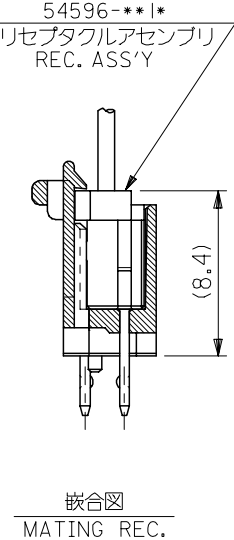
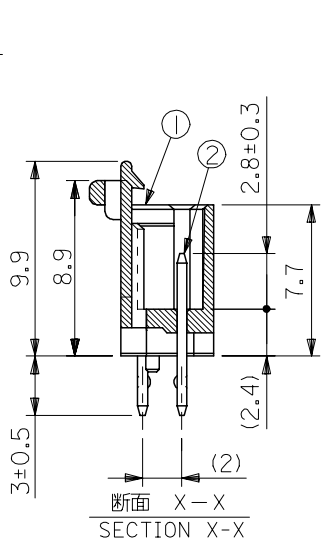
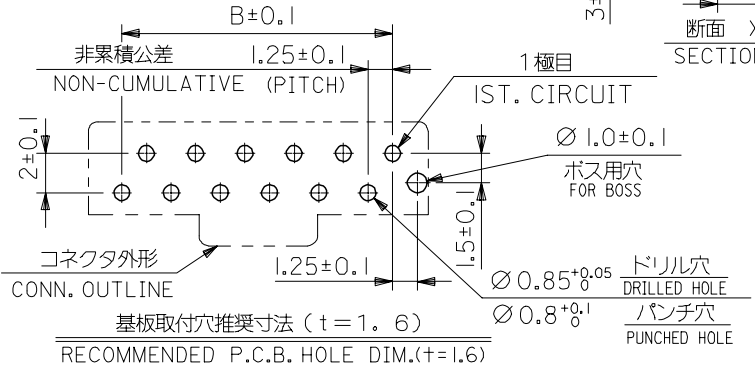
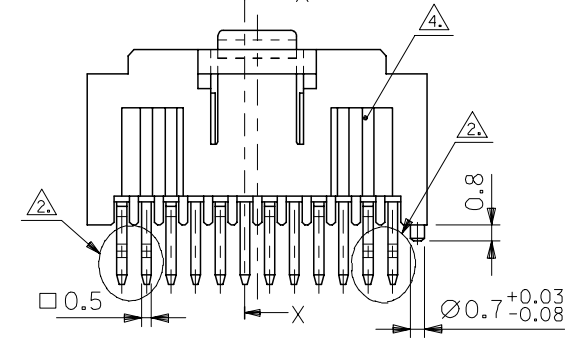
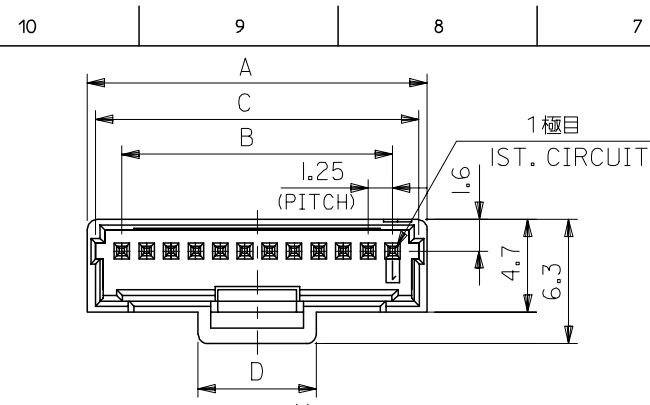
[55447Series](#)

**Mates With**

[51336](#) PBT Polyester, Glass-filled Housing.  
[54596](#) PA Polyamide Housing

This document was generated on 04/16/2010

**PLEASE CHECK [WWW.MOLEX.COM](http://WWW.MOLEX.COM) FOR LATEST PART INFORMATION**



番号 NO.	名称 NAME	原料 MATERIAL	数量 QTY	仕上げ FINISH
①	ウエハー WEFAR	ナイロン NYLON	1	UL94V-0
②	ピン PIN	黄銅 BRASS	N	全体鍍メッキ PRE-TINNED

注) NOTES 1. 原料および仕上げ: 表参照  
 MATERIAL AND FINISH: SEE CHART  
 △ キングは、両サイド4ピンに適用。(4極品までは、全極に適用) TO BE APPLICABLE 4 PIN OF BOTH SIDE.  
 △ 製品番号 MATERIAL NO. 55447-\*\*\*7\*  
 極数 CIRCUIT SIZE (02 ~ 20)  
 メッキ仕様: 無鉛 PLATING: LEAD FREE  
 色 COLOR 0: 自然色 NATURAL 2: 赤 RED, 3: 黄 YELLOW

△ 側面の溝は、10極以上に適用。  
 SIDE DITCHES MUST BE APPLICABLE OVER 10 CIRCUIT SIZE.

6	26.4	23.75	27.25	20	55447-207*
	25.15	22.5	26	19	-197*
	23.9	21.25	24.75	18	-187*
	22.65	20	23.5	17	-177*
	21.4	18.75	22.25	16	-167*
	20.15	17.5	21	15	-157*
	18.9	16.25	19.75	14	-147*
	17.65	15	18.5	13	-137*
	16.4	13.75	17.25	12	-127*
	15.15	12.5	16	11	-117*
4.75	13.9	11.25	14.75	10	-107*
	12.65	10	13.5	9	-097*
	11.4	8.75	12.25	8	-087*
	10.15	7.5	11	7	-077*
	8.9	6.25	9.75	6	-067*
	7.65	5	8.5	5	-057*
	6.4	3.75	7.25	4	-047*
D	5.15	2.5	6	3	-037*
	3.9	1.25	4.75	2	55447-027*

REVISED		GENERAL TOLERANCES (UNLESS SPECIFIED)		DIMENSION STYLE		SCALE	DESIGN UNITS	THIRD ANGLE PROJECTION	
EC NO: J2006-0438	2005/08/08	10 UNDER ±0.2		MM ONLY		4:1	METRIC	MINI M12 1-ROW WAFER ASS'Y (SN) -LEAD FREE-	
DRW: NABEI	2005/08/09	10 OVER 30 UNDER ±0.25		DRAWN BY DATE		TITLE		MOLEX MOLEX INCORPORATED	
CHK: KATOYODA	2005/08/09	30 OVER ±0.3		CHECKED BY DATE		MATERIAL NO.			
APP: NUKITA	2005/08/19	ANGULAR ±3 °		DRAWN BY DATE		DOCUMENT NO.		SHEET NO.	
A		DRAFT WHERE APPLICABLE MUST REMAIN WITHIN DIMENSIONS		APPROVED BY DATE		SEE CHART		1 OF 2	
				Y. ITO '03/02/07		SD-55447-010			
				MATERIAL NO.		THIS DRAWING CONTAINS INFORMATION THAT IS PROPRIETARY TO MOLEX INCORPORATED AND SHOULD NOT BE USED WITHOUT WRITTEN PERMISSION			

10 9 8 7 6 5 4 3 2 1

F

E

D

C

B

A

F

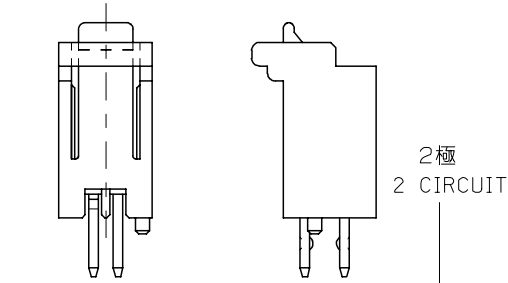
E

D

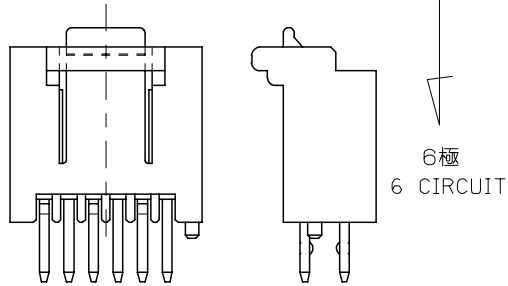
C

B

A

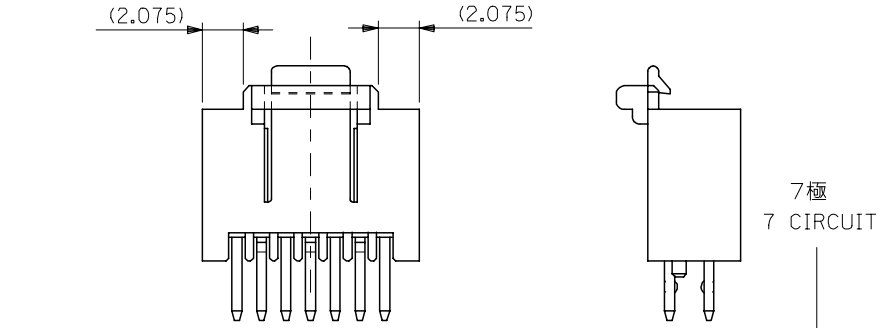


2極  
2 CIRCUIT

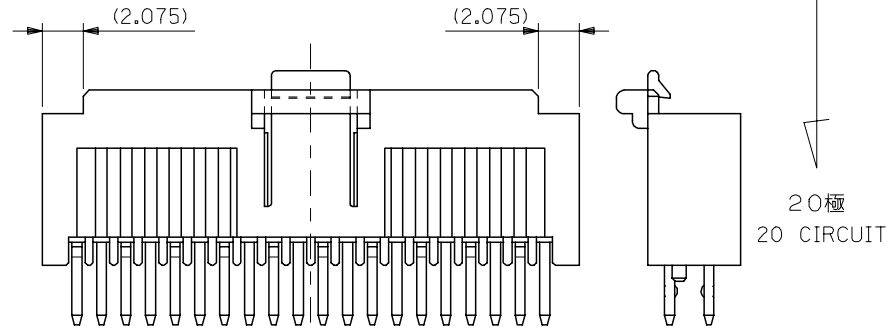


6極  
6 CIRCUIT

2極~6極のハウジング形状  
SHAPE OF HS'G FROM 2 TO 6 CIRCUIT



7極  
7 CIRCUIT



20極  
20 CIRCUIT

7極~20極のハウジング形状  
SHAPE OF HS'G FROM 7 TO 20 CIRCUIT

REVISED EC NO: J2006-0438 DRWN: NABEI CHKDK: TOYODA APPR: NUKITA	GENERAL TOLERANCES (UNLESS SPECIFIED)		DIMENSION STYLE MM ONLY		SCALE 4:1	DESIGN UNITS METRIC	THIRD ANGLE PROJECTION	
	10 UNDER	±0.2	DRAWN BY N. YOSHIDA	DATE '03/02/07	TITLE MINI M12 1-ROW WAFER ASS'Y (SN) -LEAD FREE-			
	10 OVER 30 UNDER	±0.25	CHECKED BY M. YAGI	DATE '03/02/07				
	30 OVER	±0.3	APPROVED BY Y. ITO	DATE '03/02/07	MOLEX INCORPORATED			
	ANGULAR	±3 °	MATERIAL NO. SEE CHART					
DRAFT WHERE APPLICABLE MUST REMAIN WITHIN DIMENSIONS		SIZE A3		THIS DRAWING CONTAINS INFORMATION THAT IS PROPRIETARY TO MOLEX INCORPORATED AND SHOULD NOT BE USED WITHOUT WRITTEN PERMISSION				

9

8

7

6

5

4

3

2