

PLEASE CHECK WWW.MOLEX.COM FOR LATEST PART INFORMATION

Part Number: [0389690003](#)
Status: **Active**
Description: 12.70mm (.250") Pitch, Single Row Tri-Barrier Terminal Strip, without Mounting Ends, 3 Circuits

Documents:

[3D Model](#)
[Drawing \(PDF\)](#)

[RoHS Certificate of Compliance \(PDF\)](#)

General

Product Family	Terminal Blocks
Series	38969
Application	Wire-to-Board
Component Type	One Piece
Product Name	TSE
Type	Barrier Strip

Physical

Circuits (Loaded)	3
Circuits (maximum)	3
Entry Angle	90° Angle
Lock to Mating Part	None
Number of Rows	1
Orientation	Vertical
PC Tail Length (in)	0.157 In
PC Tail Length (mm)	4.00 mm
PCB Retention	None
PCB Thickness Recommended (in)	0.062 In
PCB Thickness Recommended (mm)	1.57 mm
Panel Mount	No
Pitch - Mating Interface (in)	0.500 In
Pitch - Mating Interface (mm)	12.70 mm
Pitch - Term. Interface (in)	0.500 In
Pitch - Term. Interface (mm)	12.70 mm
Polarized to Mating Part	Yes
Shrouded	Tri-Barrier
Stackable	No
Surface Mount Compatible (SMC)	No
Temperature Range - Operating	-40°C to +120°C
Wire Size AWG	10, 12, 14, 16, 18, 20, 8

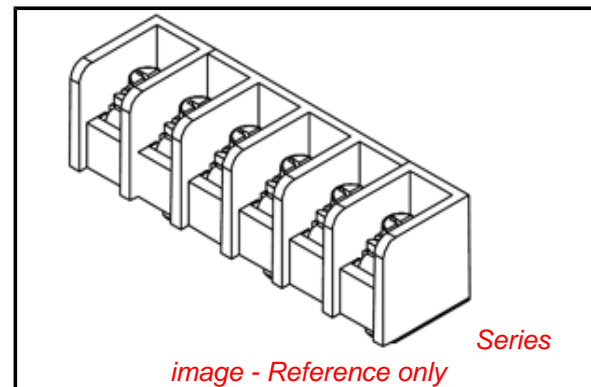
Electrical

Current - Maximum per Contact	50A
Voltage - Maximum	600V

Material Info

Reference - Drawing Numbers

Sales Drawing	SD-38969-001
---------------	--------------



EU RoHS

ELV and RoHS Compliant
REACH SVHC Contains SVHC: No
Halogen-Free Status
Not Reviewed

China RoHS



Need more information on product environmental compliance?

Email productcompliance@molex.com
 For a multiple part number RoHS Certificate of Compliance, [click here](#)

Please visit the [Contact Us](#) section for any non-product compliance questions.

Search Parts in this Series

[38969Series](#)

Mates With

N/A

MATERIAL NUMBER LEGEND

389 XX X XX

INSULATOR STYLE

69 - NO MOUNTING ENDS

OF CIRCUITS

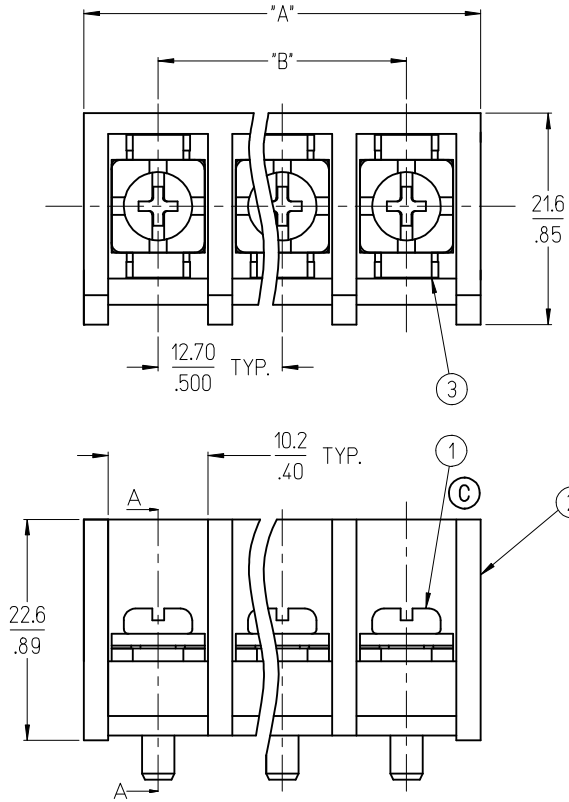
(02 - 15)

TERMINAL STYLE

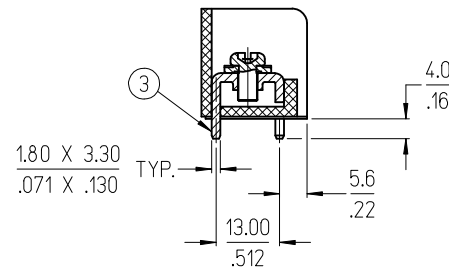
0 - PC TAILS

SCREW STYLE

0 - M4 WITH SQUARE WASHER, STEEL, ZINC PLATED



TERM. STYLE 0 - PC TAILS

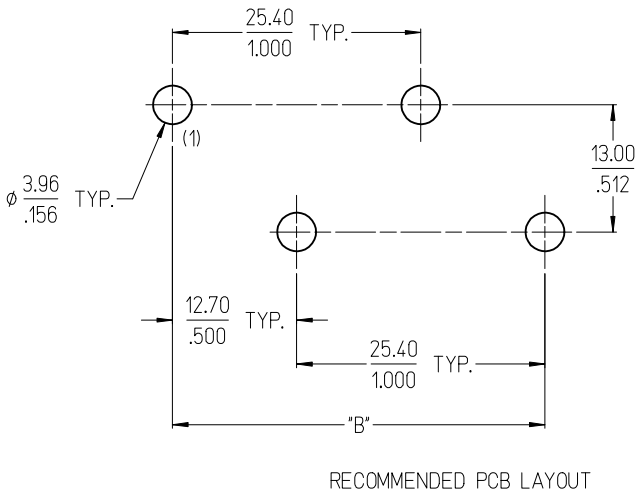


NOTES:

1. MATERIAL:
 - (1). SCREW: SEE LEGEND.
 - (2). INSULATOR: PBT, UL94V-0
 - (3). TERMINAL: BRASS, TIN PLATED
2. WIRE SIZE: 20-8 AWG.
3. RATING: 600V, 50A
4. MAX. TORQUE: 16 IN-LB.
5. OPERATING TEMPERATURE: -40°C TO +120°C
6. NUMBER OF CIRCUIT POSITIONS AVAILABLE = 2 THROUGH 15.
7. ASSEMBLY IS ROHS COMPLIANT.

CHANGE SCREW WASHER EC NO: WNA2009-0750 DRW:ACL YORK 2009/05/26 CHKD:RDEROSS 2009/06/03 APPR:RDEROSS 2009/06/03	QUALITY SYMBOLS ▽=0 ▽=0	GENERAL TOLERANCES (UNLESS SPECIFIED)		DIMENSION STYLE MM/IN		SCALE 2:1	DESIGN UNITS INCH	THIRD ANGLE PROJECTION			
		4 PLACES ± --- ± ---	3 PLACES ± --- ± .005	DRAWN BY C. YORK	DATE 2006/11/20	TITLE 12.70MM [.500] SINGLE ROW TRI-BARRIER TERMINAL STRIP					
		2 PLACES ± 0.13 ± .01	1 PLACE ± 0.3 ± ---	CHECKED BY J. MACNEIL	DATE 2006/11/20	MOLEX INCORPORATED					
		ANGULAR ± 2 °		APPROVED BY J. MACNEIL	DATE 2006/11/20	MATERIAL NO. SEE LEGEND		DOCUMENT NO. SD-38969-001	SHEET NO. 1 OF 2		
DRAFT WHERE APPLICABLE MUST REMAIN WITHIN DIMENSIONS				THIS DRAWING CONTAINS INFORMATION THAT IS PROPRIETARY TO MOLEX INCORPORATED AND SHOULD NOT BE USED WITHOUT WRITTEN PERMISSION							

QUANTITY OF CIRCUITS	DIM. "A"		DIM. "B"	
	mm	in	mm	in
02	27.9	1.10	12.70	.500
03	40.6	1.60	25.40	1.000
04	53.3	2.10	38.10	1.500
05	66.0	2.60	50.80	2.000
06	78.7	3.10	63.50	2.500
07	91.4	3.60	76.20	3.000
08	104.1	4.10	88.90	3.500
09	116.8	4.60	101.60	4.000
10	129.5	5.10	114.30	4.500
11	142.2	5.60	127.00	5.000
12	154.9	6.10	139.70	5.500
13	167.6	6.60	152.40	6.000
14	180.3	7.10	165.10	6.500
15	193.0	7.60	177.80	7.000



SEE SHEET 1 EC NO: WNA2009-0750 DRAWN BY: C. YORK 2009/05/26 CHKD: R. ROSS 2009/06/03 APPR: R. ROSS 2009/06/03	QUALITY SYMBOLS ▽=0 ▽=0	GENERAL TOLERANCES (UNLESS SPECIFIED) <table border="1"> <thead> <tr> <th></th> <th>mm</th> <th>INCH</th> </tr> </thead> <tbody> <tr><td>4 PLACES</td><td>± ---</td><td>± ---</td></tr> <tr><td>3 PLACES</td><td>± ---</td><td>± .005</td></tr> <tr><td>2 PLACES</td><td>± 0.13</td><td>± .01</td></tr> <tr><td>1 PLACE</td><td>± 0.3</td><td>± ---</td></tr> </tbody> </table> ANGULAR ± 2 °		mm	INCH	4 PLACES	± ---	± ---	3 PLACES	± ---	± .005	2 PLACES	± 0.13	± .01	1 PLACE	± 0.3	± ---	DIMENSION STYLE MM/IN DRAWN BY: C. YORK DATE: 2006/11/20 CHECKED BY: J. MACNEIL DATE: 2006/11/20 APPROVED BY: J. MACNEIL DATE: 2006/11/20	SCALE: 2:1 DESIGN UNITS: INCH THIRD ANGLE PROJECTION	TITLE: 12.70MM [.500] SINGLE ROW TRI-BARRIER TERMINAL STRIP
		mm	INCH																	
	4 PLACES	± ---	± ---																	
	3 PLACES	± ---	± .005																	
2 PLACES	± 0.13	± .01																		
1 PLACE	± 0.3	± ---																		
DRAFT WHERE APPLICABLE MUST REMAIN WITHIN DIMENSIONS	MATERIAL NO.	MOLEX INCORPORATED	DOCUMENT NO. SD-38969-001	SHEET NO. 2 OF 2																
SEE LEGEND	THIS DRAWING CONTAINS INFORMATION THAT IS PROPRIETARY TO MOLEX INCORPORATED AND SHOULD NOT BE USED WITHOUT WRITTEN PERMISSION																			
SIZE B																				