

PLEASE CHECK WWW.MOLEX.COM FOR LATEST PART INFORMATION

Part Number: [0357450210](#)
Status: **Active**
Overview: [versablade](#)
Description: Crimp Terminal 35745, 16-18 AWG

Documents:

Drawing (PDF)	Product Specification PS-35180-003 (PDF)
Product Specification PS-35150-001 (PDF)	Product Specification PS-35524-001 (PDF)
Product Specification PS-35180-002 (PDF)	RoHS Certificate of Compliance (PDF)

General

Product Family	Crimp Terminals
Series	35745
Crimp Quality Equipment	Yes
Overview	versablade
Product Name	VersaBlade™

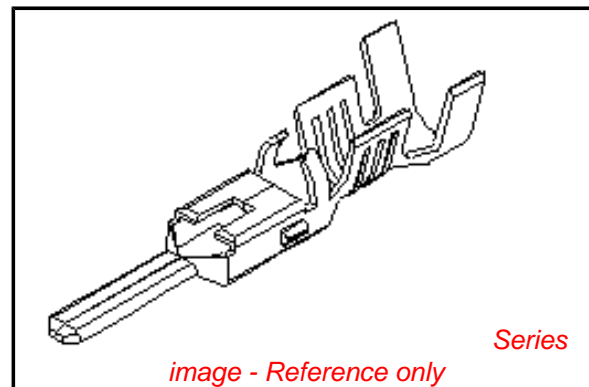
Physical

Gender	Male
Material - Metal	Brass
Material - Plating Mating	Tin
Material - Plating Termination	Tin
Packaging Type	Reel
Plating min: Mating (µin)	32.00
Plating min: Mating (µm)	0.800
Plating min: Termination (µin)	32.00
Plating min: Termination (µm)	0.80
Termination Interface: Style	Crimp or Compression
Wire Insulation Diameter	3.40mm (.134") max.
Wire Size AWG	16, 18
Wire Size mm²	N/A

Material Info

Reference - Drawing Numbers

Product Specification	PS-35150-001, PS-35180-002, PS-35180-003, PS-35524-001
Sales Drawing	SD-35745-001



EU RoHS

**ELV and RoHS
Compliant**
**REACH SVHC
Contains SVHC: No**
**Halogen-Free
Status**

China RoHS



**Need more information on product
environmental compliance?**

Email productcompliance@molex.com
 For a multiple part number RoHS Certificate of
 Compliance, [click here](#)

Please visit the [Contact Us](#) section for any
 non-product compliance questions.

Search Parts in this Series

[35745Series](#)

Mates With

[35748](#) Crimp Terminal

Use With

[35150](#) VersaBlade™ Hybrid Receptacle
 Housing. [35151](#) VersaBlade™ Hybrid Plug
 Housing

Application Tooling | FAQ

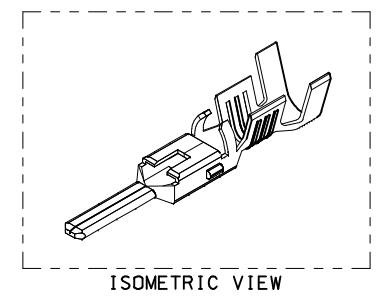
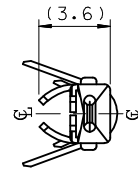
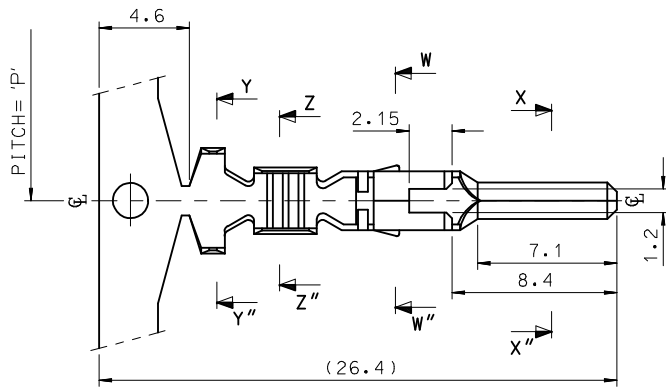
*Tooling specifications and manuals are
 found by selecting the products below.
 Crimp Height Specifications are then
 contained in the Application Tooling
 Specification document.*

Global

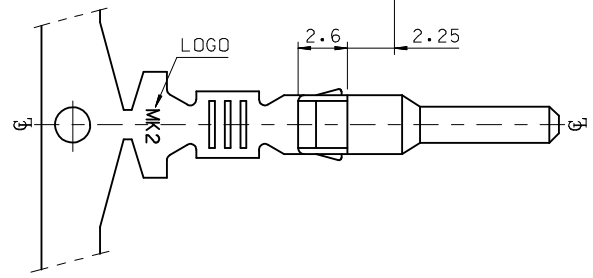
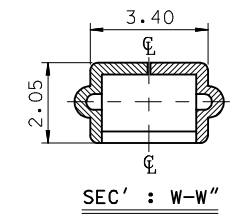
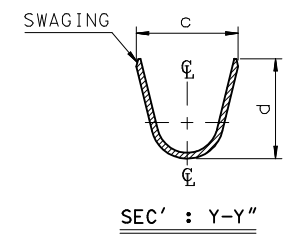
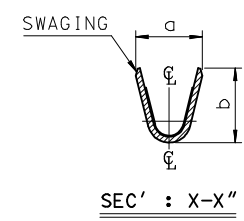
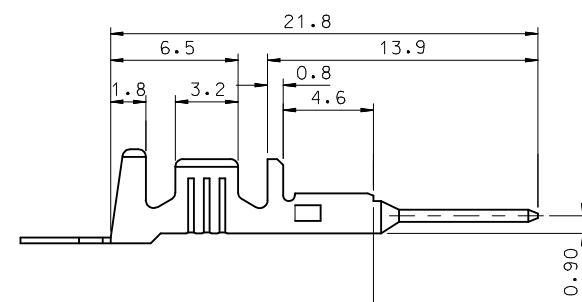
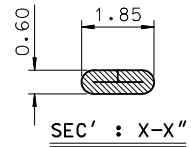
Description	Product #
Hand Crimp Tool	0638190600
T2 Terminator Die	0638529100
FineAdjust™ Applicator	0638629100

This document was generated on 05/27/2010

PLEASE CHECK WWW.MOLEX.COM FOR LATEST PART INFORMATION



- NOTES.
1. MATERIAL : Ⓢ BRASS, PRE-TIN PLATED
 2. FINISH : 0.8~1.8 μ m, Tin(Sn) plating overall
0.3~0.8 μ m, Copper(Cu) plating
 3. PRODUCT SPECIFICATION : PS-35150-001, PS-35180-002
PS-35180-003, PS-35524-001
 4. CRIMPING SPECIFICATION : CS-35745-001
 5. RECOMMENDED LENGTH OF WIRE STRIP IS 4.0~4.8mm



MATERIAL NO	ENG. No.	AWG	a	b	c	d	PITCH 'P'
357450210	35745-0210	#18-#14	3.4	3.8	5.2	4.8	12.0
357450110	35745-0110	#22-#20	2.85	2.8	4.2	4.0	10.6
357450410	35745-0410	#24	2.2	1.75	3.85	3.5	10.6

REVISED EC NO: KOR2009-0151 TDRWN: JHPARK01 2009/05/18 CHKD: WY. YANG 2009/06/18 APPR: YUNSIKKIM 2009/07/01	QUALITY SYMBOLS	GENERAL TOLERANCES (UNLESS SPECIFIED)	DIMENSION STYLE	SCALE	DESIGN UNITS	THIRD ANGLE PROJECTION															
	$\blacktriangledown=0$ $\text{C}=0$	<table border="1"> <thead> <tr> <th></th> <th>mm</th> <th>INCH</th> </tr> </thead> <tbody> <tr> <td>4 PLACES</td> <td>± ---</td> <td>± ---</td> </tr> <tr> <td>3 PLACES</td> <td>± ---</td> <td>± ---</td> </tr> <tr> <td>2 PLACES</td> <td>± 0.2</td> <td>± ---</td> </tr> <tr> <td>1 PLACE</td> <td>± 0.3</td> <td>± ---</td> </tr> </tbody> </table>		mm	INCH	4 PLACES	± ---	± ---	3 PLACES	± ---	± ---	2 PLACES	± 0.2	± ---	1 PLACE	± 0.3	± ---	MM ONLY	4:1	METRIC	
		mm	INCH																		
	4 PLACES	± ---	± ---																		
3 PLACES	± ---	± ---																			
2 PLACES	± 0.2	± ---																			
1 PLACE	± 0.3	± ---																			
DESCRIPTION	ANGULAR ± 1°	DRAWN BY JS.KANG CHECKED BY BK.CHOI APPROVED BY CW.LEE MATERIAL NO.	DATE 1998/01/19 DATE 1998/01/19 DATE 1998/01/19	TITLE																	
	DRAFT WHERE APPLICABLE MUST REMAIN WITHIN DIMENSIONS	SEE TABLE	MOLEX INCORPORATED DOCUMENT NO. SD-35745-001			SHEET NO. 1 OF 01															