

Customer Information Sheet

DRAWING No.: M22-302XX00

SHEET 2 OF 2

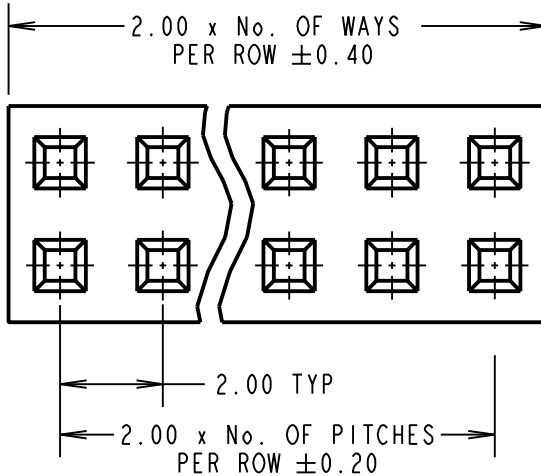
IF IN DOUBT - ASK



NOT TO SCALE

THIRD ANGLE PROJECTION

ALL DIMENSIONS IN mm



NOTES:

1. TO BE USED WITH CRIMP CONTACTS M22-30400XX (REELED) OR M22-30500XX (LOOSE).
2. ALL TOLERANCES ARE ± 0.10 UNLESS OTHERWISE STATED.

SPECIFICATION:

MATERIAL

MOULDING = NYLON 66 UL94V-2, BLACK

ELECTRICAL:

CURRENT RATING = 2A AC, DC

VOLTAGE RATING = 250V AC MAX

CONTACT RESISTANCE (INITIAL) = 10 MILLIOHMS MAX

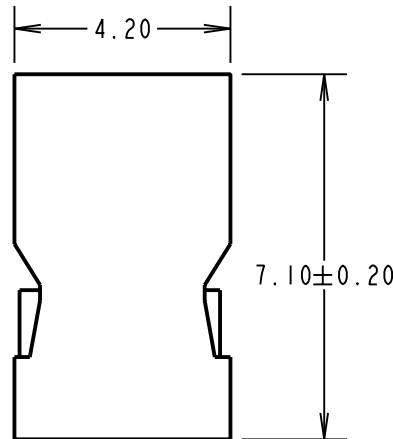
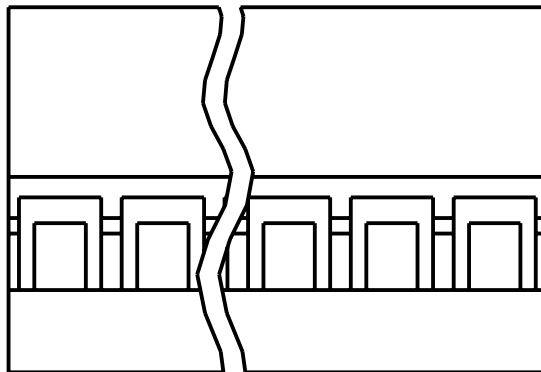
CONTACT RESISTANCE (AFTER CONDITIONING) = 20 MILLIOHMS MAX

DIELECTRIC WITHSTANDING VOLTAGE = 1500V AC FOR 1 MINUTE

INSULATION RESISTANCE = 5000 MEGOHMS MIN

ENVIRONMENTAL:

OPERATING TEMPERATURE = -40°C TO $+105^{\circ}\text{C}$



ORDER CODE:

M22-302XX00

No. OF WAYS PER ROW:
02 TO 40

JMB	9	16.09.05	8741
NAME	ISS.	DATE	C/NOTE
APPROVED:		R. ADDE	
CHECKED:		M.G. PLESTED	
DRAWN:		A. LIOTTA	
CUSTOMER REF.:			
ASSEMBLY DRG:			

HARWIN

HARWIN USA
TEL: 603 893 5376
FAX: 603 893 5396
mis@harwin.com

HARWIN Europe (UK)
TEL: 023 9231 4545
FAX: 023 9231 4590
mis@harwin.co.uk

HARWIN Asia
TEL: +65 6 779 4909
FAX: +65 6 779 3868
mis@harwin.com.sg

THIS DRAWING AND ANY INFORMATION OR DESCRIPTIVE MATTER SET OUT HEREON ARE CONFIDENTIAL AND COPYRIGHT PROPERTY OF THE HARWIN GROUP AND MUST NOT BE DISCLOSED, LOANED, COPIED OR USED FOR MANUFACTURING, TENDERING OR FOR ANY OTHER PURPOSE WITHOUT THEIR WRITTEN PERMISSION.

TOLERANCES
X = $\pm 1\text{mm}$
X.X = $\pm 0.25\text{mm}$
X.XX = $\pm 0.10\text{mm}$
X.XXX = $\pm 0.01\text{mm}$
ANGLES = $\pm 5^{\circ}$
UNLESS STATED

MATERIAL:

SEE ABOVE

FINISH: SEE ABOVE

S/AREA: mm²

TITLE:

2.00mm DIL CRIMP
SOCKET HOUSING

DRAWING NUMBER:

M22-302XX00

SHT
2 OF 2