

**PLEASE CHECK WWW.MOLEX.COM FOR LATEST PART INFORMATION**

**Part Number:** [0357490310](#)  
**Status:** **Active**  
**Description:** Spade Tongue Terminal for 26-30 AWG (0.05~0.13mm<sup>2</sup>), Stud Size 5-6 M3-3.5, Pre Tin Plated

**Documents:**

[Drawing \(PDF\)](#) [RoHS Certificate of Compliance \(PDF\)](#)

**General**

Product Family	Ring and Spade Terminals
Series	<a href="#">35749</a>
Crimp Quality Equipment	Yes
Mil-Spec	N/A
Product Name	N/A
Type	Spade

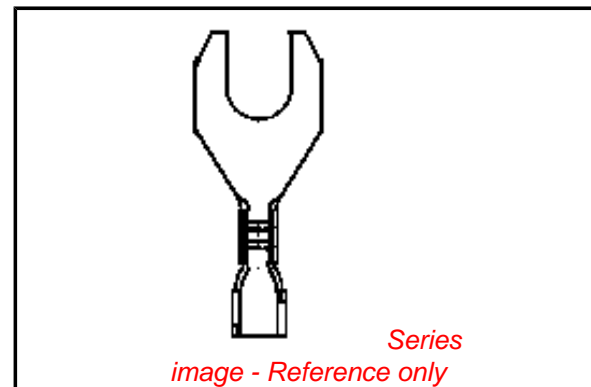
**Physical**

Barrel Type	Open
Insulation	None
Material - Plating Mating	Tin
Packaging Type	Reel
Stud Size	5-6 (M3-3.5)
Wire Insulation Diameter	1.20mm (.047") max.
Wire Size AWG	26, 28, 30
Wire Size mm <sup>2</sup>	0.05 - 0.13

**Material Info**

**Reference - Drawing Numbers**

Sales Drawing	SD-35749-0310
---------------	---------------



**EU RoHS**

**ELV and RoHS Compliant**  
**REACH SVHC**  
**Contains SVHC: No**  
**Halogen-Free Status**

**China RoHS**



**Need more information on product environmental compliance?**

Email [productcompliance@molex.com](mailto:productcompliance@molex.com)  
 For a multiple part number RoHS Certificate of Compliance, [click here](#)

Please visit the [Contact Us](#) section for any non-product compliance questions.

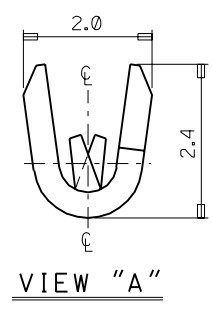
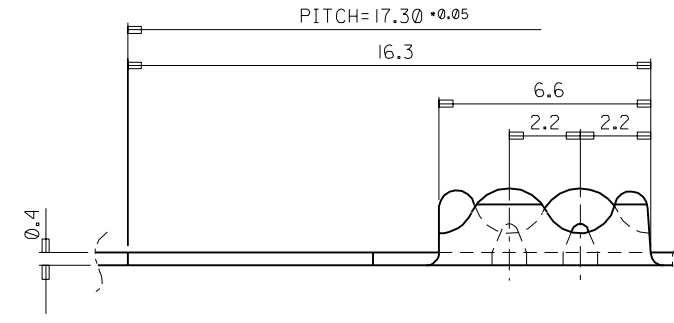
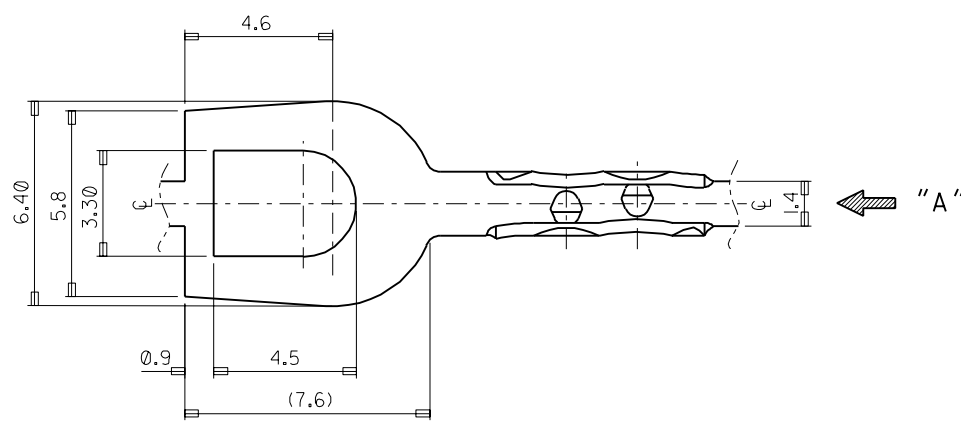
**Search Parts in this Series**  
[35749Series](#)

DO NOT SCALE DRAWING DIMENSION IN METRIC

PROJECT NO. SPADE TM'L (D/R)

SIMILAR ITEM

DWG. NO. SD 35749-0310



- NOTES
1. MATERIAL : BRASS , 0.4 mm THICKNESS
  2. FINISH : PRE-PLATED TIN
  3. APPLICABLE WIRE SIZE : AWG #30-#26 (0.05-0.13mm<sup>2</sup>)  
INSULATION DIA. : Ø1.2 MAX.

REVISED	EC NO. KOR1998-0009 DRWN: J.S.KANG CHK: B.K.CHOI APPR: C.W.LEE	DESCRIPTION	MAJOR =	CRITICAL C =	GENERAL TOLERANCES: (UNLESS SPECIFIED)		SCALE	DESIGN UNITS	THIRD ANGLE PROJECTION	DIMENSIONS:			1	B
					mm	INCH	7/1	<input checked="" type="checkbox"/> mm <input type="checkbox"/> INCH		<input type="checkbox"/> mm <input type="checkbox"/> INCH <input checked="" type="checkbox"/> mm ONLY	1	A		
REV	B A	REV			4 PLACES	±0.	±.	DRAWN BY & DATE J.S.KANG 98/01/16		TITLE: SPADE TERMINAL (D/R)				
					3 PLACES	±0.	±.	CHECKED BY & DATE						
					2 PLACES	±0.2	±.	APPROVED BY & DATE		MOLEX INCORPORATED KOREA				
					1 PLACE	±0.3	±.	CAD FILENAME		MATERIAL NO.	DRAWING NO.	SHEET NO.		
					ANGULAR: ± 1°			s7490310.dgn		SEE NOTES	SD 35749-0310	1 of 1		
					DRAFT WHERE APPLICABLE MUST REMAIN WITHIN DIMENSIONS			THIS DRAWING CONTAINS INFORMATION THAT IS PROPRIETARY TO MOLEX INCORPORATED AND SHOULD NOT BE USED WITHOUT WRITTEN PERMISSION.						
													SIZE B	MX-A3