

**PLEASE CHECK WWW.MOLEX.COM FOR LATEST PART INFORMATION**

**Part Number:** [0192160005](#)  
**Status:** **Active**  
**Description:** Multi-Lock Connector for 18-22 AWG Wire

**Documents:**

[Drawing \(PDF\)](#) [RoHS Certificate of Compliance \(PDF\)](#)

**Agency Certification**

UL E32244

**General**

Product Family Splices  
 Series [19216](#)  
 Comments .550" x .375" when closed  
 Crimp Quality Equipment Yes  
 Mil-Spec N/A  
 MolexKits Yes  
 Product Name Multi-Lock

**Physical**

Barrel Type Closed  
 Flammability 94V-0  
 Insulation Polypropylene  
 Packaging Type Bag  
 Temperature Range - Operating 105°C  
 Wire Insulation Diameter .13" (3.3mm)& .16" (4.1mm), tw  
 Wire Size AWG 18, 20, 22  
 Wire Size mm<sup>2</sup> N/A

**Electrical**

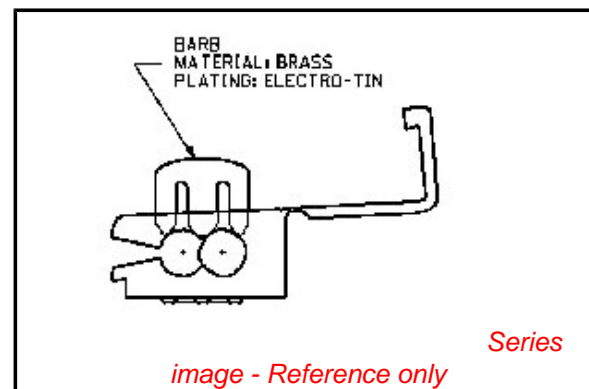
Voltage - Maximum 600V

**Material Info**

Old Part Number ML-2218

**Reference - Drawing Numbers**

Sales Drawing SD-19216-003



*image - Reference only*

**EU RoHS**

**ELV and RoHS Compliant**  
**REACH SVHC**  
 Not Reviewed  
**Halogen-Free Status**

**Not Reviewed**

**China RoHS**



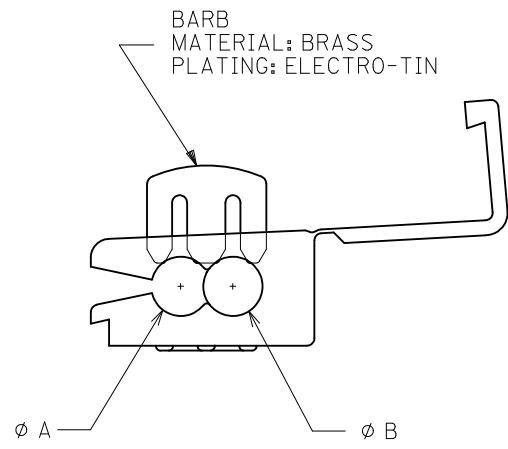
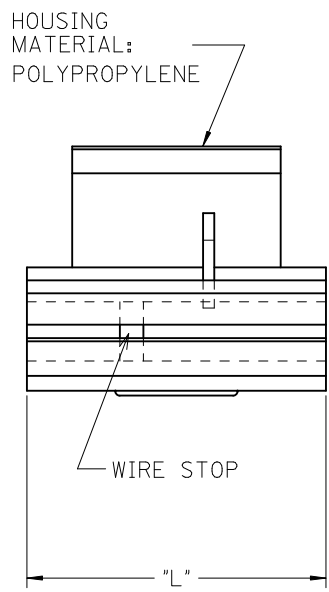
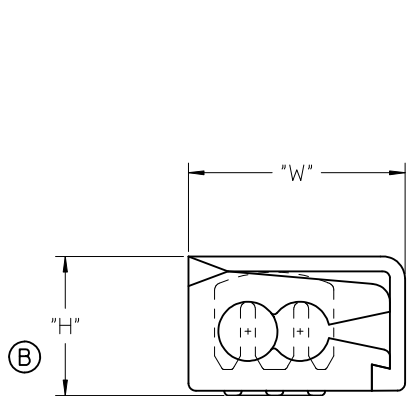
**Need more information on product environmental compliance?**

Email [productcompliance@molex.com](mailto:productcompliance@molex.com)  
 For a multiple part number RoHS Certificate of Compliance, [click here](#)

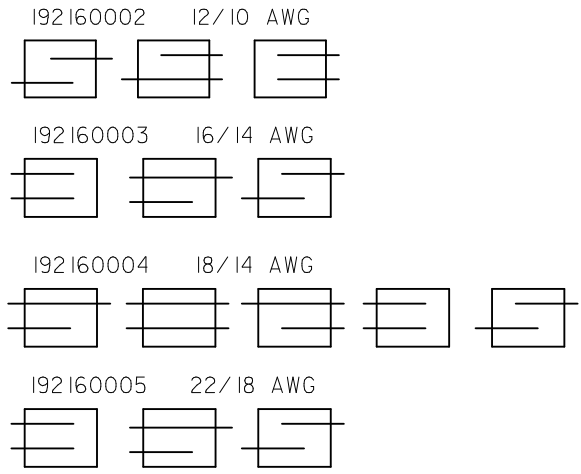
Please visit the [Contact Us](#) section for any non-product compliance questions.

**Search Parts in this Series**  
[19216Series](#)

MATERIAL NUMBER	ALTERNATE NUMBER	WIRE SIZE	WIRE STOP	COLOR	"H" MAX	"W" MAX	"L" MAX	ⓑ "A" MIN	ⓑ "B" MIN
192160002	ⓑ ML-1210	12-10	YES	YELLOW	.52/(13.2)	.74/(18.8)	.80/(20.3)	.160/(4.06)	.185/(4.70)
192160003	ML-1614	16-14	YES	BLUE	.42/(10.7)	.55/(13.8)	.79/(20.1)	.125/(3.17)	.130/(3.30)
192160004	ML-1814	18-14	NO	WHITE	.42/(10.7)	.55/(13.8)	.79/(20.1)	.125/(3.17)	.130/(3.30)
192160005	ML-2218	22-18	YES	RED	.42/(10.7)	.55/(13.8)	.79/(20.1)	.120/(3.04)	.120/(3.04)



POSSIBLE WIRE CONFIGURATIONS



NOTE:  
ⓑ PARTS ARE ROHS COMPLIANT.

CUSTOMER DRAWING

ADD 1210, FIX DIMS EC NO: WNA2010-0315 DR: WNETHRODAHL 2009/12/18 CHKD: JMACNEIL 2009/12/18 APPR: JMACNEIL 2009/12/18	QUALITY SYMBOLS	GENERAL TOLERANCES (UNLESS SPECIFIED)	DIMENSION STYLE	SCALE	DESIGN UNITS	THIRD ANGLE PROJECTION	
	▽=0 ▽7=0	mm INCH 4 PLACES ± --- ± --- 3 PLACES ± --- ± .005 2 PLACES ± 0.13 ± .01 1 PLACE ± 0.25 ± --- ANGULAR ± ---°	IN/MM	1:1	INCH	DRAWN BY DATE EDB 2000/11/22 CHECKED BY DATE HEB 2000/11/22 APPROVED BY DATE RWD 2000/11/22	TITLE MULTI LOCK CONNECTOR 22 THROUGH 10 AWG
	DRAFT WHERE APPLICABLE MUST REMAIN WITHIN DIMENSIONS	SEE CHART	MATERIAL NO.	DOCUMENT NO.	SHEET NO.	MOLEX INCORPORATED SD-19216-003 1 OF 1	
			THIS DRAWING CONTAINS INFORMATION THAT IS PROPRIETARY TO MOLEX INCORPORATED AND SHOULD NOT BE USED WITHOUT WRITTEN PERMISSION				