

PLEASE CHECK WWW.MOLEX.COM FOR LATEST PART INFORMATION

Part Number: **0016021109**
Status: **Active**
Overview: [cgrid_sl_products](#)
Description: SL™ Crimp Terminal, Series 71851, Female, with 0.38µm (15µ") Selective Gold (Au) Plated Contact, 24-30 AWG, Bag

Documents:

[Drawing \(PDF\)](#) [Product Specification PS-71851 \(PDF\)](#)
[Product Specification PS-70400 \(PDF\)](#) [RoHS Certificate of Compliance \(PDF\)](#)

General

Product Family Crimp Terminals
 Series [71851](#)
 Crimp Quality Equipment Yes
 Overview [cgrid_sl_products](#)
 Product Name SL™

Physical

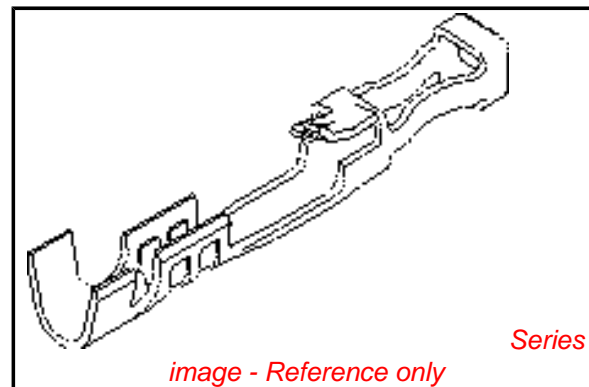
Gender Female
 Material - Metal Phosphor Bronze
 Material - Plating Mating Gold
 Material - Plating Termination Tin
 Packaging Type Bag
 Plating min: Mating (µin) 15
 Plating min: Mating (µm) 0.38
 Plating min: Termination (µin) 75
 Plating min: Termination (µm) 1.88
 Termination Interface: Style Crimp or Compression
 Wire Insulation Diameter 1.52mm (.060") max.
 Wire Size AWG 24, 26, 28, 30
 Wire Size mm² N/A

Material Info

Old Part Number 71851-0206

Reference - Drawing Numbers

Packaging Specification PK-70873-0822
 Product Specification PS-70400, PS-71851
 Sales Drawing SD-71851-0206



EU RoHS

ELV and RoHS Compliant
REACH SVHC
Contains SVHC: No
Halogen-Free Status

China RoHS



Need more information on product environmental compliance?

Email productcompliance@molex.com
 For a multiple part number RoHS Certificate of Compliance, [click here](#)

Please visit the [Contact Us](#) section for any non-product compliance questions.

Search Parts in this Series

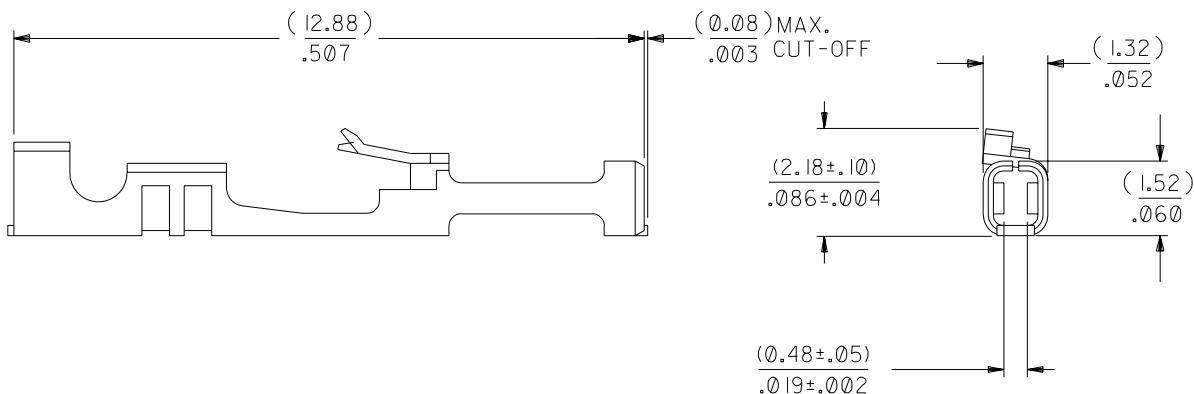
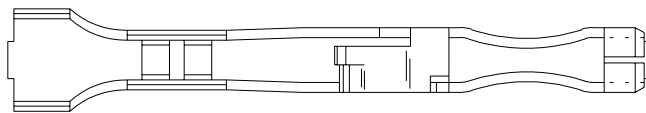
[71851Series](#)

Application Tooling | [FAQ](#)

Tooling specifications and manuals are found by selecting the products below. Crimp Height Specifications are then contained in the Application Tooling Specification document.

Global

| Description | Product # |
|----------------------------------------|----------------------------|
| Hand Crimp Tool, UL0638118800 Approved | |
| Insertion Tool | 0011020022 |



NOTES:

1. TERMINAL TO BE USED IN HOUSINGS 70066-**** AND 70450-****
2. REFER TO PRODUCT SPECIFICATION PS-71851
3. REFER TO MOLEX OPERATIONS AND SERVICE MANUAL FOR CRIMP DETAILS
4. TERMINAL TO BE USED WITH $(0.64)/.025$ SQUARE PINS
5. TERMINAL TO BE USED WITH 24-30 AWG STRANDED WIRE WITH $(1.52)/.060$ MAX. DIA. INSULATION
6. TERMINALS SUPPLIED LOOSE PER DRAWING PK-70873-0822

PLATING:

.000015 MINIMUM GOLD PLATE IN SELECT AREA WITH .000075 MINIMUM TIN PLATE IN SELECT AREA OVER NICKEL PLATE OVERALL

*THE PRIMARY SHIPPING CARTON WILL BE LABELED "COMPLIANT TO RoHS DIRECTIVE 2002/95/EC AND ELV ANNEX II OF DIRECTIVE 2000/53/EC". CARTONS WITHOUT THIS LABEL MAY CONTAIN PRODUCT WITH LEAD.

| | | |
|------|----------------------------------------------|------|
| C1 | REVISED PER ECR #U70928 MCGRATH 97/06/26 | |
| D | LEAD FREE UCP2004-1769 RWHITE 04/03/24 | C |
| C2 | REVISED ECR #U80270 MCGRATH 97/07/31 | B |
| LTR. | REVISIONS | LTR. |

| | |
|----------------------------------------------------------------|-----------------------|
| DIMENSIONS SHOWN (METRIC) INCH | |
| UNLESS OTHERWISE SPECIFIED TOLERANCES: ANGULAR $\pm 1/2^\circ$ | |
| 3 PLACE | $\pm .010$ --- |
| 2 PLACE | $\pm .014$ ± 0.25 |
| 1 PLACE | --- ± 0.35 |
| DRAFT WHERE APPLICABLE MUST REMAIN WITHIN DIMENSIONS | |
| DRWG. BY: MJM | CHK'D. BY: MJM |
| APP'D. BY: WAZ | SCALE: 10:1 |

| | | |
|------------------------------------------------|------------------------------------------------------------------------------------------------------------------------|---------------------------|
| $\nabla = 0$ | $\blacktriangledown = 0$ | REVISE ONLY ON CAD SYSTEM |
| TITLE: TERMINAL-BOX/CRIMP HIGH FORCE CONTACT | | |
| MOLEX INCORPORATED LISLE, ILL. 60532 U.S.A. | | SHEET NO. 1 DATE 03/25/88 |
| PART NO. 016-02-1109 | | DRWG. NO. SD-71851-0206 |
| FILE NAME: S71851X24 | THIS DRAWING CONTAINS INFORMATION THAT IS PROPRIETARY TO MOLEX INC. AND SHOULD NOT BE USED WITHOUT WRITTEN PERMISSION. | |
| DIV. DA | SIZE B | |