

PLEASE CHECK WWW.MOLEX.COM FOR LATEST PART INFORMATION

Part Number: [0016020119](#)
Status: **Active**
Overview: [cgrid_sl_products](#)
Description: SL™ Crimp Terminal, Series 71851, Female, with 0.38µm (15µ") Selective Gold (Au) Plated Contact, 24-30 AWG, Reel

Documents:

[Drawing \(PDF\)](#) [Product Specification PS-71851 \(PDF\)](#)
[Product Specification PS-70400 \(PDF\)](#) [RoHS Certificate of Compliance \(PDF\)](#)

General

Product Family Crimp Terminals
 Series [71851](#)
 Crimp Quality Equipment Yes
 Overview [cgrid_sl_products](#)
 Product Name SL™

Physical

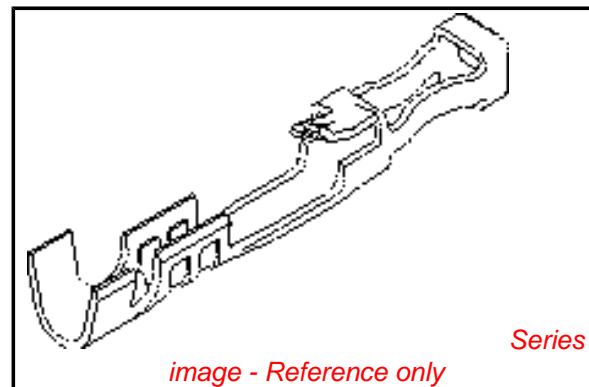
Gender Female
 Material - Metal Phosphor Bronze
 Material - Plating Mating Gold
 Material - Plating Termination Tin
 Packaging Type Reel
 Plating min: Mating (µin) 15
 Plating min: Mating (µm) 0.38
 Plating min: Termination (µin) 75
 Plating min: Termination (µm) 1.88
 Termination Interface: Style Crimp or Compression
 Wire Insulation Diameter 1.52mm (.060") max.
 Wire Size AWG 24, 26, 28, 30
 Wire Size mm² N/A

Material Info

Old Part Number 71851-0006

Reference - Drawing Numbers

Packaging Specification PK-70873-1300
 Product Specification PS-70400, PS-71851
 Sales Drawing SD-71851-0006



EU RoHS

ELV and RoHS Compliant
REACH SVHC
Contains SVHC: No
Halogen-Free Status

China RoHS



Need more information on product environmental compliance?

Email productcompliance@molex.com
 For a multiple part number RoHS Certificate of Compliance, [click here](#)

Please visit the [Contact Us](#) section for any non-product compliance questions.

Search Parts in this Series

[71851Series](#)

Application Tooling | [FAQ](#)

Tooling specifications and manuals are found by selecting the products below. Crimp Height Specifications are then contained in the Application Tooling Specification document.

Global

Description	Product #
FineAdjust™ Applicator	0639001500
Hand Crimp Tool, UL Approved	0638118800
FineAdjust™ Applicator for SL™ Female Crimp Terminal, 24-30 AWG	0639003100
T2 Terminator Tooling Die	0639103100
Insertion Tool	0011020022

This document was generated on 05/18/2010

PLEASE CHECK WWW.MOLEX.COM FOR LATEST PART INFORMATION

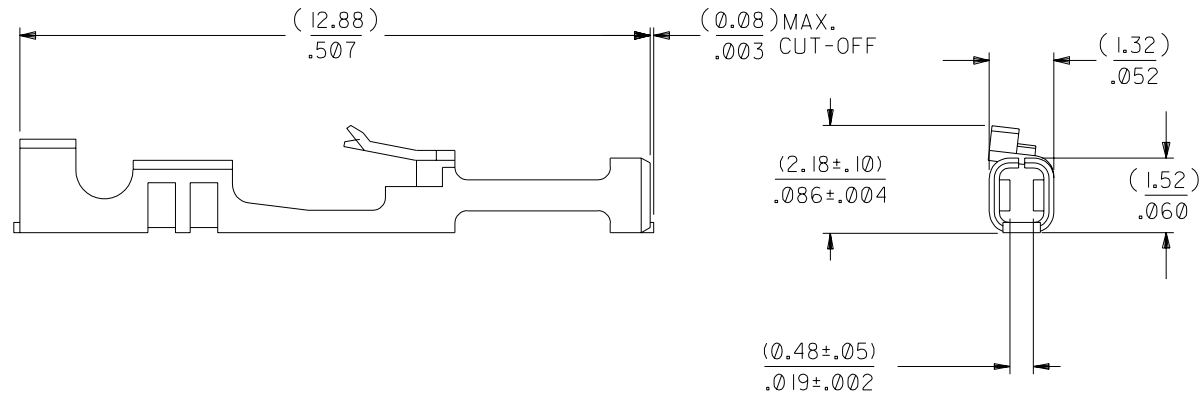
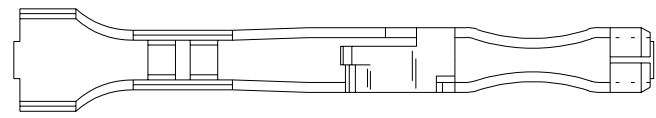
NOTES:

1. TERMINAL TO BE USED IN HOUSINGS 70066-**** AND 70450-****
2. REFER TO PRODUCT SPECIFICATION PS-71851
3. REFER TO MOLEX OPERATIONS AND SERVICE MANUAL FOR CRIMP DETAILS
4. TERMINAL TO BE USED WITH (0.64)/.025 SQUARE PINS
5. TERMINAL TO BE USED WITH 24-30 AWG STRANDED WIRE WITH (1.52)/.060 MAX. DIA. INSULATION
6. TERMINALS SUPPLIED IN REEL FORM

PLATING:

.000015 MINIMUM GOLD PLATE IN SELECT AREA WITH .000075 MINIMUM TIN PLATE IN SELECT AREA OVER NICKEL PLATE OVERALL

*THE PRIMARY SHIPPING CARTON WILL BE LABELED "COMPLIANT TO RoHS DIRECTIVE 2002/95/EC AND ELV ANNEX II OF DIRECTIVE 2000/53/EC". CARTONS WITHOUT THIS LABEL MAY CONTAIN PRODUCT WITH LEAD.



F
E
D
C
B
A

F
E
D
C
B
A

				C I		REVISED ECR #U80270 MCGRATH 97/07/31		DIMENSIONS SHOWN (METRIC) INCH UNLESS OTHERWISE SPECIFIED TOLERANCES: ANGULAR ± 1/2°		▽ = 0 ▼ = 0 REVISE ONLY ON CAD SYSTEM																	
				C		REVISE PER ECR# U82219 11-07-88 MJM/MGB		<table border="1"> <thead> <tr> <th></th> <th>INCH</th> <th>METRIC</th> </tr> </thead> <tbody> <tr> <td>3 PLACE</td> <td>± .010</td> <td>---</td> </tr> <tr> <td>2 PLACE</td> <td>± .014</td> <td>± 0.25</td> </tr> <tr> <td>1 PLACE</td> <td>---</td> <td>± 0.35</td> </tr> </tbody> </table>			INCH	METRIC	3 PLACE	± .010	---	2 PLACE	± .014	± 0.25	1 PLACE	---	± 0.35	TITLE TERMINAL-BOX/CRIMP HIGH FORCE CONTACT					
	INCH	METRIC																									
3 PLACE	± .010	---																									
2 PLACE	± .014	± 0.25																									
1 PLACE	---	± 0.35																									
D		LEAD FREE UCP2004-1769 RWHITE 04/03/24		B		REVISE PER ECR #U80064 3/25/88 MJM		DRAFT WHERE APPLICABLE MUST REMAIN WITHIN DIMENSIONS		<table border="1"> <tr> <td>moLEX</td> <td>MOLEX INCORPORATED</td> <td>SHEET NO.</td> <td>DATE</td> </tr> <tr> <td>LISLE,ILL.</td> <td>60532</td> <td>1</td> <td>03/25/88</td> </tr> <tr> <td colspan="2">PART NO.</td> <td colspan="2">DRWG. NO.</td> </tr> <tr> <td colspan="2">016-02-0119</td> <td colspan="2">SD-71851-0006</td> </tr> </table>		moLEX	MOLEX INCORPORATED	SHEET NO.	DATE	LISLE,ILL.	60532	1	03/25/88	PART NO.		DRWG. NO.		016-02-0119		SD-71851-0006	
moLEX	MOLEX INCORPORATED	SHEET NO.	DATE																								
LISLE,ILL.	60532	1	03/25/88																								
PART NO.		DRWG. NO.																									
016-02-0119		SD-71851-0006																									
LTR.		REVISIONS		LTR.		REVISIONS		<table border="1"> <tr> <td>DRWG. BY</td> <td>MJM</td> <td>CHK'D. BY</td> <td>MJM</td> </tr> <tr> <td>APP'D. BY</td> <td>WAZ</td> <td>SCALE</td> <td>10: 1</td> </tr> </table>		DRWG. BY	MJM	CHK'D. BY	MJM	APP'D. BY	WAZ	SCALE	10: 1	<table border="1"> <tr> <td>FILE NAME</td> <td>THIS DRAWING CONTAINS INFORMATION THAT IS PROPRIETARY TO MOLEX INC. AND SHOULD NOT BE USED WITHOUT WRITTEN PERMISSION.</td> <td>DIV.</td> <td>SIZE</td> </tr> <tr> <td>S71851X23</td> <td></td> <td>DA</td> <td>B</td> </tr> </table>		FILE NAME	THIS DRAWING CONTAINS INFORMATION THAT IS PROPRIETARY TO MOLEX INC. AND SHOULD NOT BE USED WITHOUT WRITTEN PERMISSION.	DIV.	SIZE	S71851X23		DA	B
DRWG. BY	MJM	CHK'D. BY	MJM																								
APP'D. BY	WAZ	SCALE	10: 1																								
FILE NAME	THIS DRAWING CONTAINS INFORMATION THAT IS PROPRIETARY TO MOLEX INC. AND SHOULD NOT BE USED WITHOUT WRITTEN PERMISSION.	DIV.	SIZE																								
S71851X23		DA	B																								