

PLEASE CHECK WWW.MOLEX.COM FOR LATEST PART INFORMATION

Part Number: **0357501410**
Status: **Active**
Description: Ring Tongue Terminal for 20-22 AWG (0.30~0.50mm²), Stud Size 5-6 (M3-3.5), Tin Plating

Documents:

[Drawing \(PDF\)](#) [RoHS Certificate of Compliance \(PDF\)](#)
[Product Specification PS-35750-002 \(PDF\)](#)

General

Product Family	Ring and Spade Terminals
Series	<u>35750</u>
Crimp Quality Equipment	Yes
Mil-Spec	N/A
Product Name	R (Ring)
Type	Ring

Physical

Barrel Type	Open
Insulation	None
Material - Plating Mating	Tin
Packaging Type	Reel
Plating min: Mating (µin)	40
Plating min: Mating (µm)	1
Plating min: Termination (µin)	40
Plating min: Termination (µm)	1
Stud Size	5-6 (M3-3.5)
Temperature Range - Operating	-40°C to +105°C
Termination Interface: Style	Crimp or Compression
Wire Insulation Diameter	3.50mm (.137") max.
Wire Size AWG	20, 22
Wire Size mm ²	0.37 - 0.50

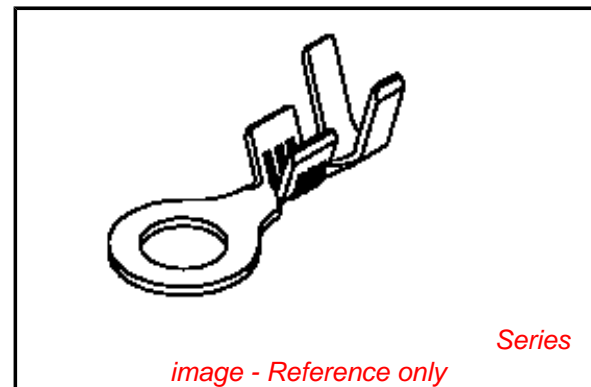
Electrical

Voltage - Maximum	300V DC
-------------------	---------

Material Info

Reference - Drawing Numbers

Product Specification	PS-35750-002
Sales Drawing	SD-35750-14*0



EU RoHS

ELV and RoHS Compliant
REACH SVHC
Contains SVHC: No
Halogen-Free Status

China RoHS



Need more information on product environmental compliance?

Email productcompliance@molex.com
 For a multiple part number RoHS Certificate of Compliance, [click here](#)

Please visit the [Contact Us](#) section for any non-product compliance questions.

Search Parts in this Series
 35750Series

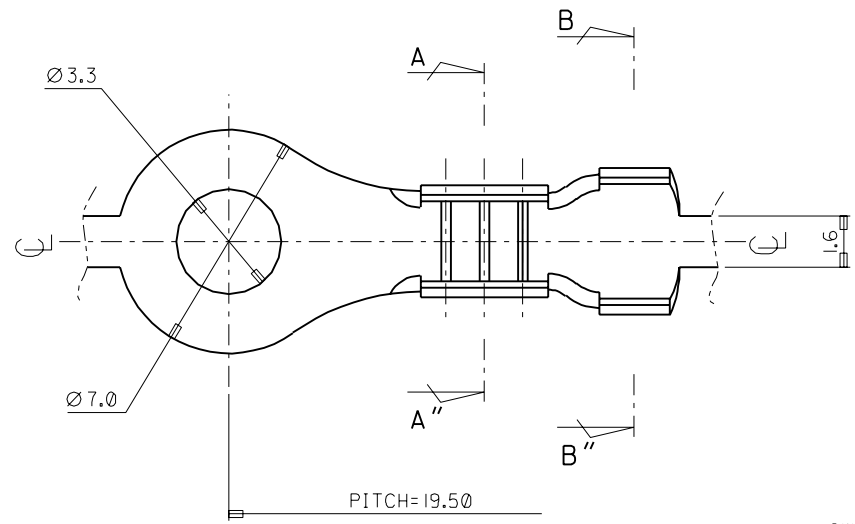
DO NOT SCALE DRAWING DIMENSION IN METRIC

PROJECT NO. Ø3.3 RING TM'L

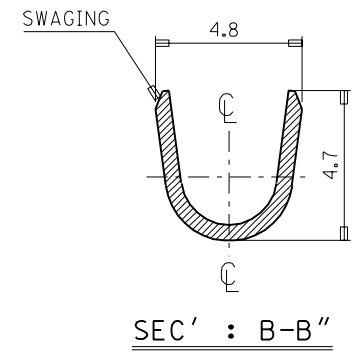
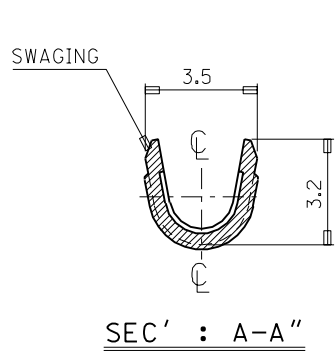
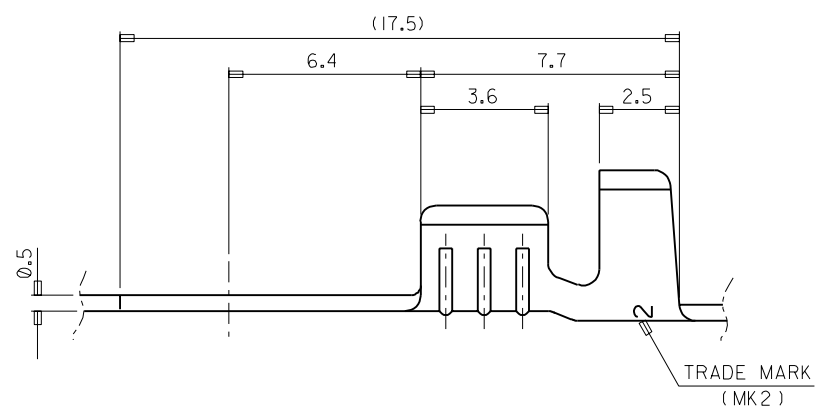
SIMILAR ITEM

EDP NO.

ENG. NO. SD 35750-14*0



- NOTES
1. MATERIAL : BRASS , 0.5mm THICKNESS
 2. FINISH : 35750-1400 : UNPLATED
35750-1410 : POST PLATED TIN
35750-1440 : POST PLATED TIN-LEAD
 3. RECOMMENDED LENGTH OF WIRE STRIP IS 4.9-5.9mm.



ASS'Y PART		QTY/REEL OR PACK	SURFACE AREA	MATERIAL	SEE NOTES	WIRE RANGE	GENERAL TOLERANCES	MOLEX MOLEX-KOREA CO.,LTD.				
DESCRIPTION	ENG.NO.	7,000 Q'TY /REEL	MM ²	DIMENSION CLASSIFICATION		AWG: #22-#20	DIM. : ±0.30					
C	REVISED	93-022	93 10.6		■ : CRITICAL	MM ² : 0.3-0.5	REVISION RANGE					
B	REVISED	93-019	93 8.17		□ : MINOR	INSULATION RANGE	TITLE: Ø 3.3 RING TM'L-21	1 of 1				
A	CAD REDRAWING	93-016	93 7.6		() : REFERENCE	∅ 2.2-3.5	ENG.NO.	SD 35750-14*0				
LTR	REVISION RECORD	ECN	DR/CHK	DATE	DIE FEED	APPL FEED	WBDW	IBDW	APP'D BY	SCALE	7/1	REV C
					19.50							