



TAI-SAW TECHNOLOGY CO., LTD.

No. 3, Industrial 2nd Rd., Ping-Chen Industrial District,
Taoyuan, 324, Taiwan, R.O.C.

TEL: 886-3-4690038 FAX: 886-3-4697532

E-mail: tstsales@mail.taisaw.com Web: www.taisaw.com

Approval Sheet For Product Specification

Issued Date: Jan, 8, 2007

Product Name: SAW Filter 1150 MHz SMD 3.0X3.0 mm

TST Parts No.: TA0620A

Customer Parts No.: _____

Company: _____
Division: _____
Approved by : _____
Date: _____

Checked by: _____ Bob Chau

Approval by: _____ Francis Chen

Date: _____ 1, 8, 2007



TAI-SAW TECHNOLOGY CO., LTD.

No. 3, Industrial 2nd Rd., Ping-Chen Industrial District,
Taoyuan, 324, Taiwan, R.O.C.

TEL: 886-3-4690038 FAX: 886-3-4697532

E-mail: tstsales@mail.taisaw.com Web: www.taisaw.com

SAW Filter 1150MHz

MODEL NO.:TA0620A

REV. NO.:1

A. MAXIMUM RATING:

1. Input Power Level: 10 dBm
2. DC Voltage : 3V
3. Operating Temperature: -20°C to +70°C
4. Storage Temperature: -30°C to +85°C

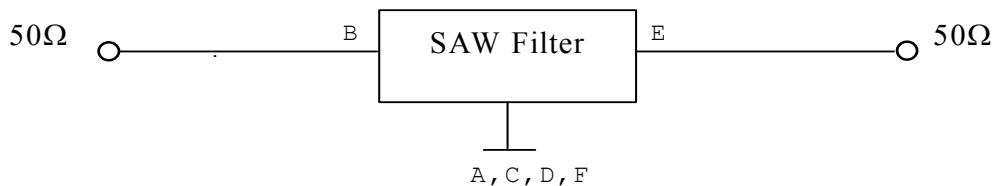
RoHS Compliant
Lead free
Lead-free soldering

B. ELECTRICAL CHARACTERISTICS:

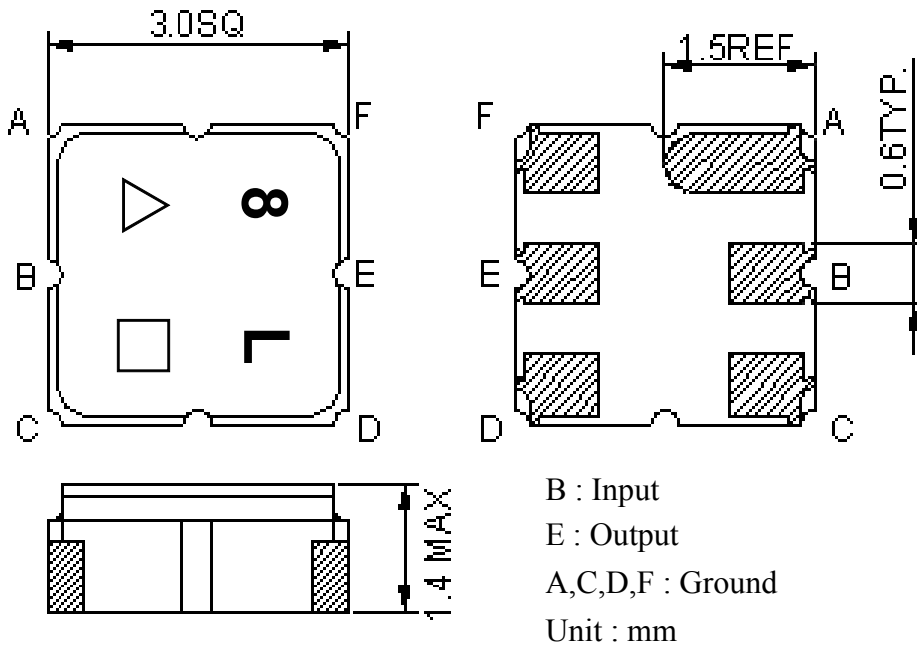
Item	Unit	Min.	Type.	Max.	Note
Center Frequency	Fc	MHz	-	1150	-
Min. Insertion loss	IL	dB	-	1.7	3
1 dB bandwidth	BW ₁	MHz	32	38	-
3 dB bandwidth	BW ₃	MHz	33.5	43	-
35 dB bandwidth	BW ₃₅	MHz	-	80	90
Ripple in 27 MHz BW		dB	-	0.4	0.8
Return Loss		dB	10	13	-
GDV in 27 MHz BW		ns	-	20	40
Temp tolerance		Ppm/c	-	36	-

C. MEASUREMENT CIRCUIT:

HP Network analyzer



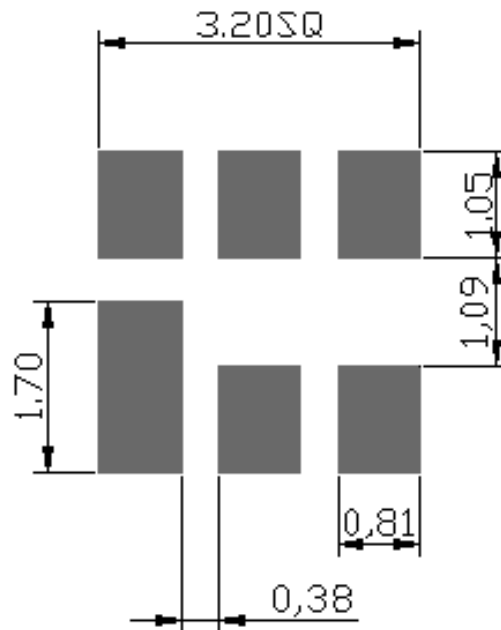
D.OUTLINE DRAWING:



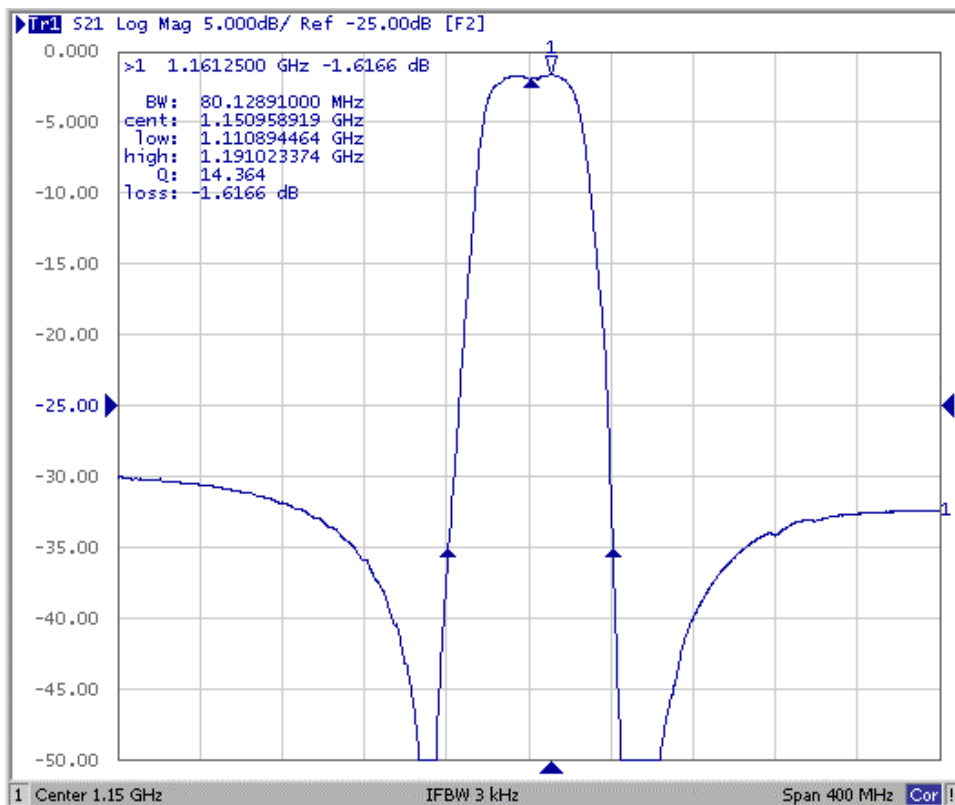
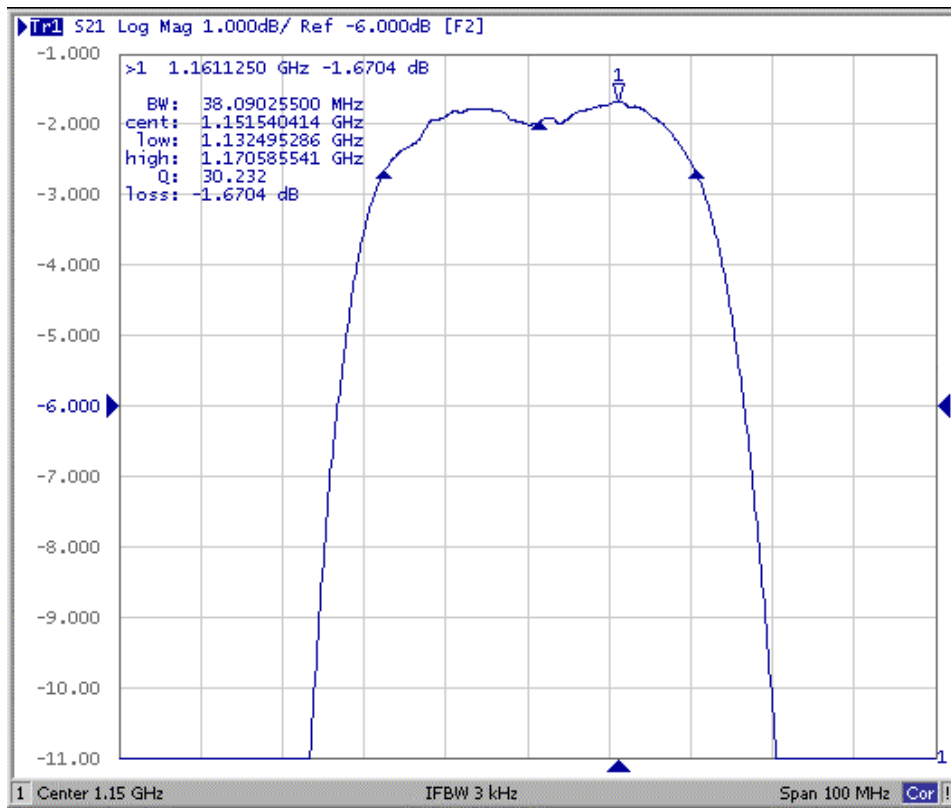
△ : Year Code (2006->6, ..., 2009->9)

□ : Date Code (Follow the table from planner each year)

E. PCB Footprint:

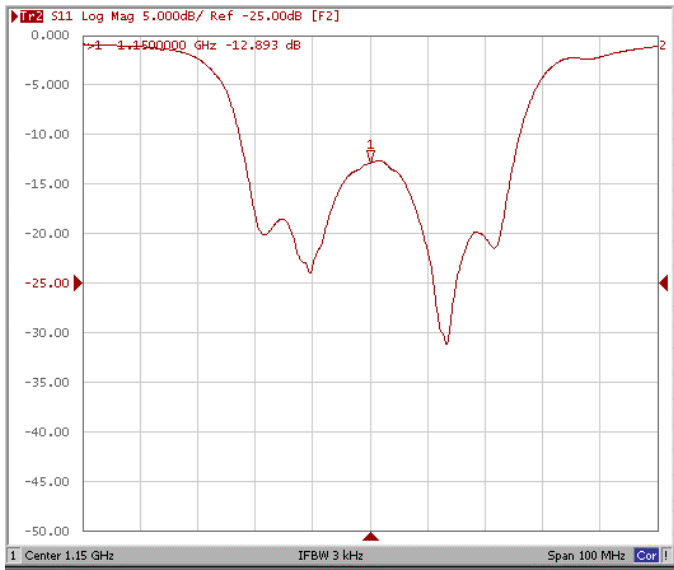


F. Frequency Characteristics :

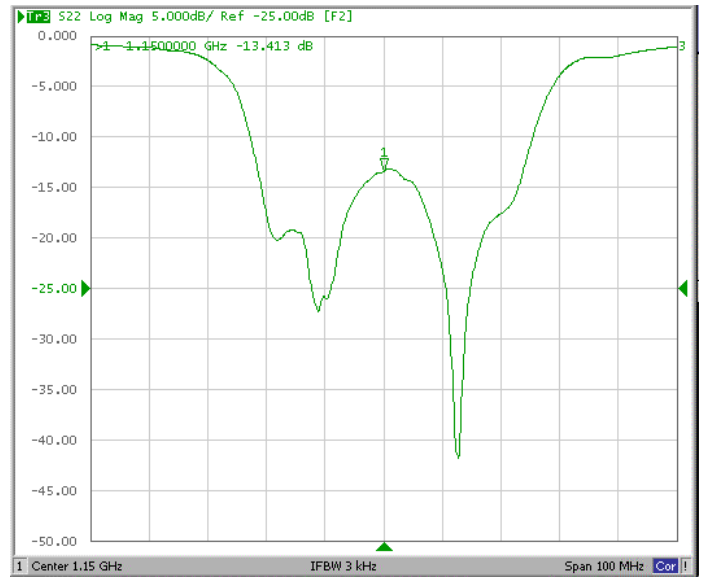


Reflection Functions :

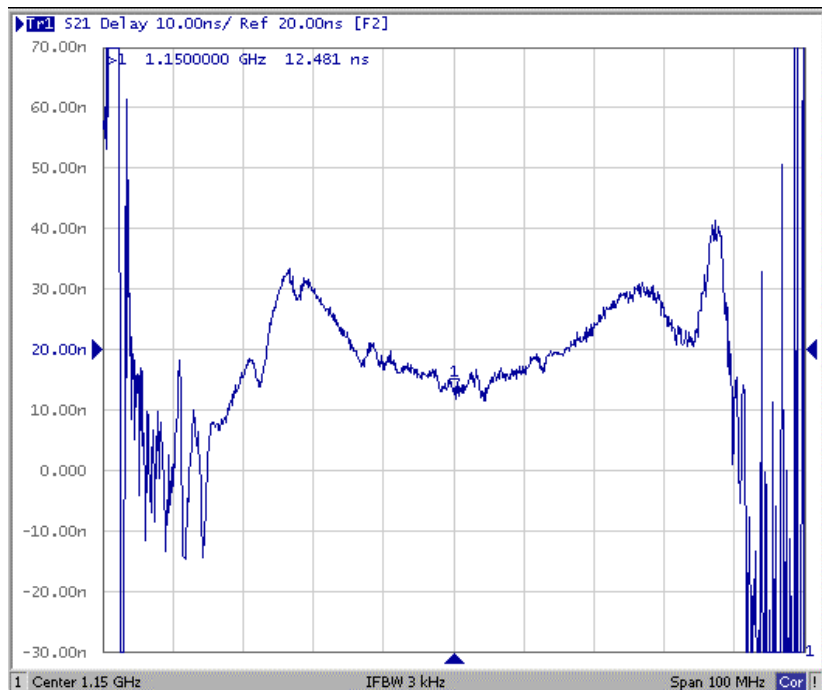
S11



S22



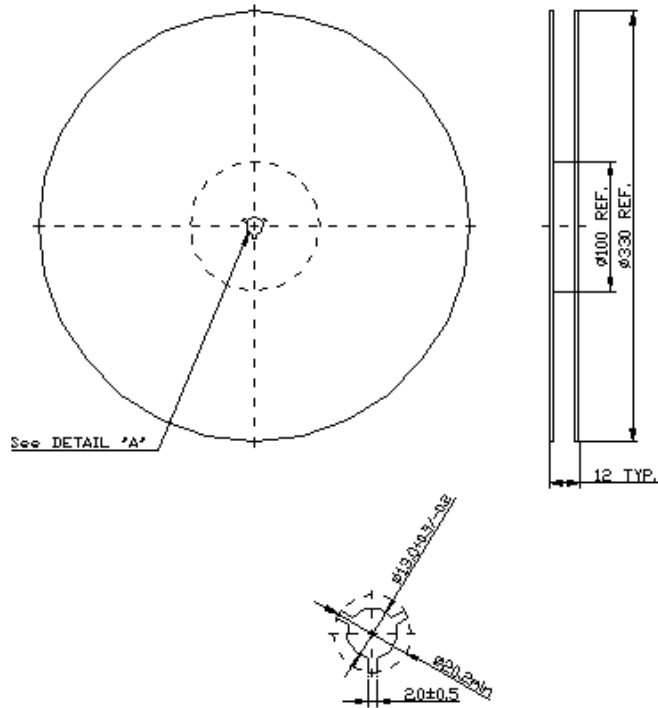
Group delay



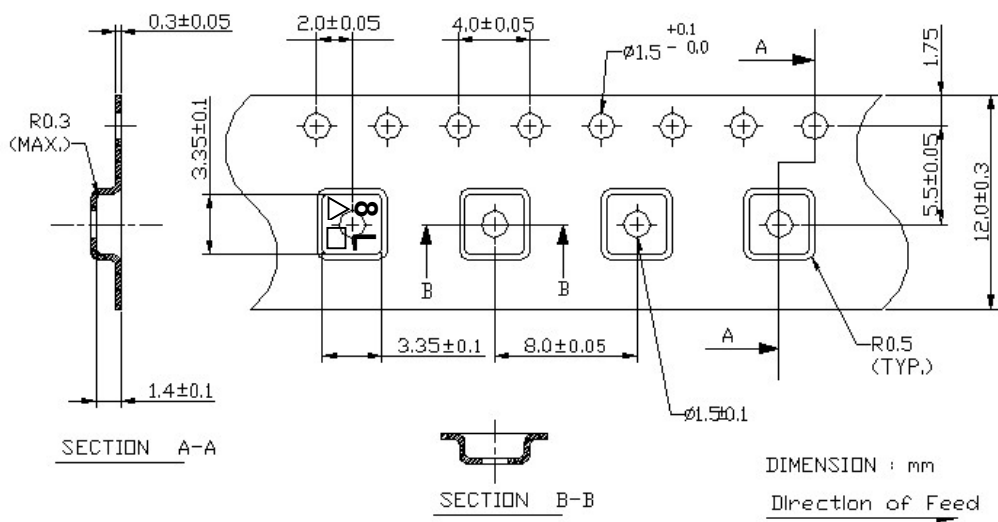
G. PACKING:

1. REEL DIMENSION

(Reel Count : 7"=1000 ; 13"=3000)



2. TAPE DIMENSION



H. RECOMMENDED REFLOW PROFILE :

