

PLEASE CHECK WWW.MOLEX.COM FOR LATEST PART INFORMATION

Part Number: [0553481215](#)
Status: **Active**
Description: HMC™ Rectangular Industrial Male Housing, Single-Module Type, 12 Circuits

Documents:

[Drawing \(PDF\)](#) [RoHS Certificate of Compliance \(PDF\)](#)
[Product Specification PS-54478-001 \(PDF\)](#)

Agency Certification

CSA LR19980
 UL E29179

General

Product Family I/O Connectors
 Series [55348](#)
 Application Panel-Mount, Wire-to-Wire
 Component Type Housing
 Product Name HMC™
 Type N/A

Physical

Boot Color N/A
 Circuits (Loaded) N/A
 Circuits (maximum) 12
 Durability (mating cycles max) 50
 Flammability 94V-0
 Gender Male
 Lock to Mating Part Yes
 Material - Plating Mating n/a
 Number of Rows 3
 Orientation Vertical
 PCB Locator No
 Packaging Type Bag
 Panel Mount N/A
 Pitch - Mating Interface (in) 0.224 In
 Pitch - Mating Interface (mm) 5.70 mm
 Pitch - Term. Interface (in) 0.224 In
 Pitch - Term. Interface (mm) 5.70 mm
 Polarized to Mating Part Yes
 Polarized to PCB N/A
 Ports 1
 Surface Mount Compatible (SMC) No
 Temperature Range - Operating -40°C to +125°C
 Termination Interface: Style N/A
 Waterproof / Dustproof Yes
 Waterproof / Dustproof Type IP65

Electrical

Current - Maximum per Contact 35A
 Shielded No
 Voltage - Maximum 450V DC

Material Info

Reference - Drawing Numbers

Product Specification PS-54478-001
 Sales Drawing SD-55348-1215

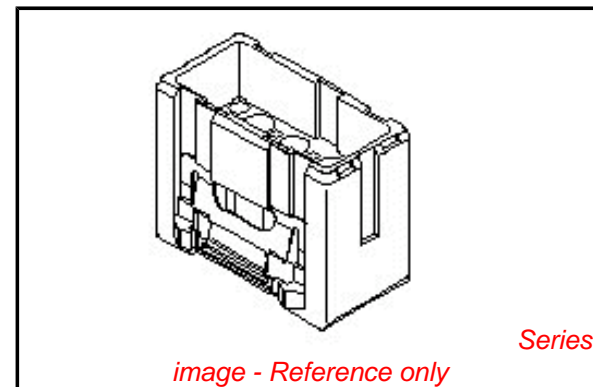


image - Reference only

EU RoHS

**ELV and RoHS
 Compliant**
REACH SVHC
 Not Reviewed
**Halogen-Free
 Status**
 Not Reviewed

China RoHS



**Need more information on product
 environmental compliance?**

Email productcompliance@molex.com
 For a multiple part number RoHS Certificate of
 Compliance, [click here](#)

Please visit the [Contact Us](#) section for any
 non-product compliance questions.

Search Parts in this Series

[55348Series](#)

Mates With

[54479-1215](#) housing

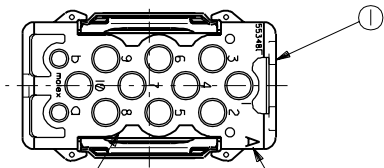
Use With

58783-0011 panel-mount bracket, 55124
 and 55125 terminals, [58782-0011](#) hood
 bracket

This document was generated on 04/02/2010

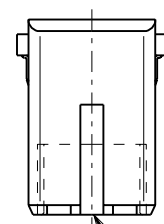
PLEASE CHECK WWW.MOLEX.COM FOR LATEST PART INFORMATION

電線挿入側
WIRE SIDE

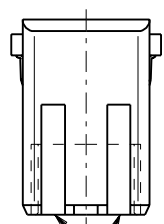
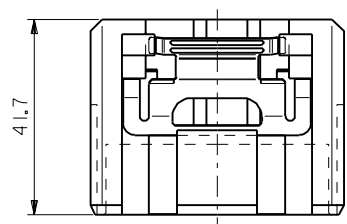


回路番号表示
CKT.No.IDENTIFICATION

極性タイプ表示
POLARIZATIONS TYPE IDENTIFICATION

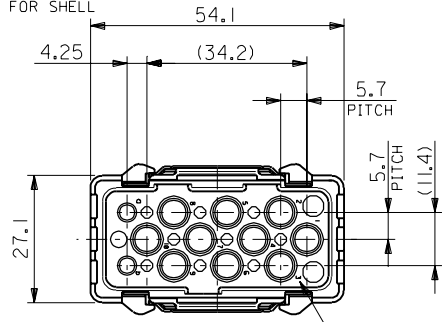


シェル挿入方向キー
POLARIZATIONS KEY FOR SHELL



シェル挿入方向キー
POLARIZATIONS KEY FOR SHELL

嵌合側
MATING SIDE



回路番号表示
CKT.No.IDENTIFICATION

②	スプリング SPRING	ステンレス STAINLESS STEEL	2	55348-1215	12
①	メイルハウジング アッセンブリ MALE HOUSING ASS'Y	ポリカーボナイト UL94V-0 グレー POLYCARBONATE UL94V-0 GRAY	1		
部番 NO.	部品名 PARTS NAME	材質 MATERIAL	個数 QUAN.	製品番号 ENG. NO.	極数 CKTS.

角度 ANGLE		±3°	材料 MATERIAL		表参照 SEE TABLE
30以上 OVER		+0.3	仕上げ FINISH		—
10以上 30未満 OVER UNDER		+0.25	適用電線範囲 WIRE RANGE		—
10未満 UNDER		+0.2	被覆外径 INS. RANGE		—
一般公差 GENERAL TOLERANCES		記号 LTR	変更内容 REVISION RECORD		DR. 日付 CHK. DATE
		◇×◇ RELEASED (J090683)	J.M. Y.1	DRAWN BY CHK'D BY	
			98/11/06	APP'D BY SCALE 1-1	

MOLEX-JAPAN CO.,LTD. 日本モレックス株式会社	
REVISE ONLY ON CAD SYSTEM	
TITLE 名称 (MIXED TYPE) ROBOT CONN. MALE HS'G ASS'Y (嵌合極性タイプ A) (MATING POLARIZATIONS TYPE A)	
DWG. NO. SD-55348-1215	REV 0

M+

- NOTES
- 嵌合相手 : 54479-1215
MATES WITH : 54479-1215
 - 適用端子
APPLICABLE PIN CONTACT
回路番号 1~10 : 55125-4***
CKTS. NO. 1~10 : 55125-4***
回路番号 a,b : 55124-4***
CKTS. NO. a,b : 55124-4***
 - 適用シェルアッセンブリ
APPLICABLE SHELL ASS'Y
プラグ : 58782-0011
PLUG : 58782-0011
リセプタクル : 58783-0011
RECEPTACLE : 58783-0011