

PLEASE CHECK WWW.MOLEX.COM FOR LATEST PART INFORMATION

Part Number: [0447641803](#)
Status: **Active**
Overview: [microfit_30](#)
Description: 3.00mm (.118") Pitch Micro-Fit 3.0, BMI™ Receptacle Header, Dual Row, Right Angle, with Press-fit Plastic Pegs, 0.8µm (30µ") Gold (Au) Selective, 18 Circuits

Documents:

[3D Model](#) [Product Specification PS-44300-001 \(PDF\)](#)
[Drawing \(PDF\)](#) [RoHS Certificate of Compliance \(PDF\)](#)

Agency Certification

CSA LR19980
TUV R72081037
UL E29179

General

Product Family PCB Receptacles
Series [44764](#)
Application Board-to-Board, Wire-to-Board
Overview [microfit_30](#)
Product Literature Order No USA-106
Product Name Micro-Fit 3.0 BMI™

Physical

Circuits (Loaded) 18
Durability (mating cycles max) 30
Flammability 94V-0
Glow-Wire Compliant No
Material - Metal Phosphor Bronze
Material - Plating Mating Gold
Material - Plating Termination Tin
Number of Rows 2
Orientation Right Angle
PCB Locator Yes
PCB Retention Yes
PCB Thickness Recommended (in) 0.062 In
PCB Thickness Recommended (mm) 1.60 mm
Packaging Type Tray
Pitch - Mating Interface (in) 0.118 In
Pitch - Mating Interface (mm) 3.00 mm
Plating min: Mating (µin) 30.4
Plating min: Mating (µm) 0.76
Plating min: Termination (µin) 101.6
Plating min: Termination (µm) 2.54
Polarized to PCB Yes
Surface Mount Compatible (SMC) No
Temperature Range - Operating -40°C to +105°C
Termination Interface: Style Through Hole

Electrical

Current - Maximum per Contact 5A
Voltage - Maximum 250V

Solder Process Data

Duration at Max. Process Temperature (seconds) 5
Lead-free Process Capability Wave Capable (TH only)
Max. Cycles at Max. Process Temperature 1

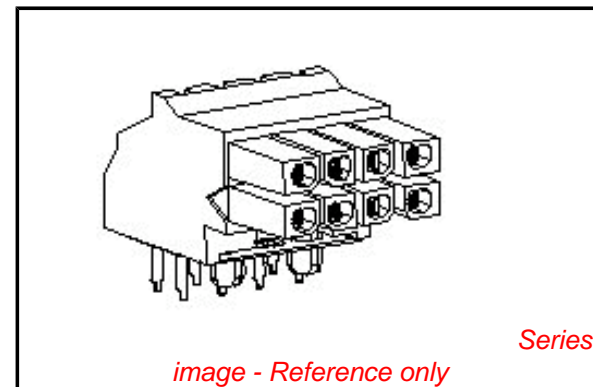


image - Reference only

EU RoHS

**ELV and RoHS
Compliant**
**REACH SVHC
Contains SVHC: No**
**Halogen-Free
Status
Not Reviewed**

China RoHS



**Need more information on product
environmental compliance?**

Email productcompliance@molex.com
For a multiple part number RoHS Certificate of Compliance, [click here](#)

Please visit the [Contact Us](#) section for any non-product compliance questions.

Search Parts in this Series

[44764Series](#)

Mates With

[44428](#) , [44300](#) , [44432](#)

Process Temperature max. C

260

Material Info

Reference - Drawing Numbers

Packaging Specification

PK-44764-001

Product Specification

PS-44300-001, RPS-44300-001

Sales Drawing

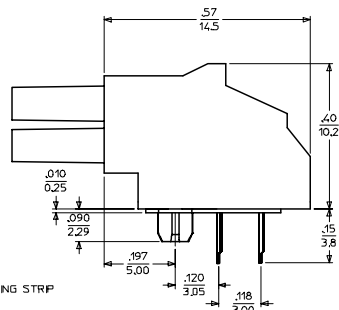
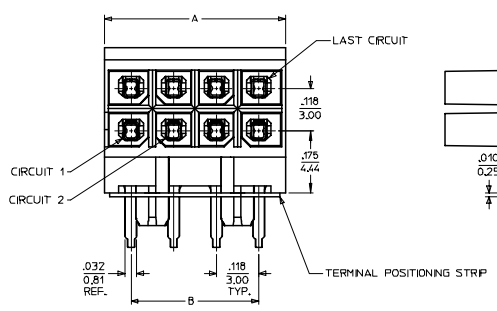
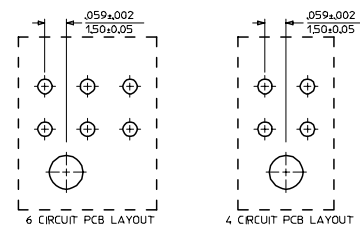
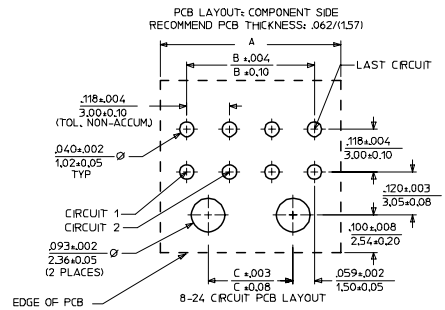
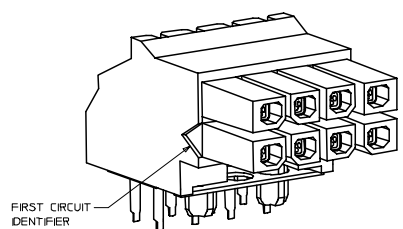
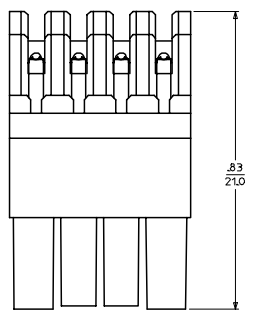
SD-44764-001, SD-44764-003

This document was generated on 05/21/2010

PLEASE CHECK WWW.MOLEX.COM FOR LATEST PART INFORMATION

	13	12	11	10	9	8	7	6	5	4	3	2
	MATERIAL NUMBER	NUMBER OF POSITIONS	PLATING OPTION	NUMBER OF POSITIONS	DIM. 'A'	DIM. 'B'	DIM. 'C'					
J	44764-0401	04	A	24	1.445/(36.70)	1.299/(33.00)	1.181/(30.00)					
	44764-0402	04	B	22	1.327/(33.70)	1.181/(30.00)	1.063/(27.00)					
	44764-0403	04	C	20	1.209/(30.70)	1.063/(27.00)	0.945/(24.00)					
	44764-0601	06	A	18	1.091/(27.70)	0.945/(24.00)	0.827/(21.00)					
	44764-0602	06	B	16	0.972/(24.70)	0.827/(21.00)	0.709/(18.00)					
	44764-0603	06	C	14	0.854/(21.70)	0.709/(18.00)	0.591/(15.00)					
I	44764-0801	08	A	12	0.736/(18.70)	0.591/(15.00)	0.472/(12.00)					
	44764-0802	08	B	10	0.618/(15.70)	0.472/(12.00)	0.354/(9.00)					
	44764-0803	08	C	8	0.500/(12.70)	0.354/(9.00)	0.236/(6.00)					
	44764-1001	10	A	6	0.382/(9.70)	0.236/(6.00)						
	44764-1002	10	B	4	0.264/(6.70)	0.118/(3.00)						
	44764-1003	10	C									
	44764-1201	12	A									
	44764-1202	12	B									
	44764-1203	12	C									
H	44764-1401	14	A									
	44764-1402	14	B									
	44764-1403	14	C									
	44764-1601	16	A									
	44764-1602	16	B									
	44764-1603	16	C									
	44764-1801	18	A									
	44764-1802	18	B									
	44764-1803	18	C									
G	44764-2001	20	A									
	44764-2002	20	B									
	44764-2003	20	C									
	44764-2201	22	A									
	44764-2202	22	B									
	44764-2203	22	C									
	44764-2401	24	A									
	44764-2402	24	B									
F	44764-2403	24	C									

NUMBER OF POSITIONS	DIM. 'A'	DIM. 'B'	DIM. 'C'
24	1.445/(36.70)	1.299/(33.00)	1.181/(30.00)
22	1.327/(33.70)	1.181/(30.00)	1.063/(27.00)
20	1.209/(30.70)	1.063/(27.00)	0.945/(24.00)
18	1.091/(27.70)	0.945/(24.00)	0.827/(21.00)
16	0.972/(24.70)	0.827/(21.00)	0.709/(18.00)
14	0.854/(21.70)	0.709/(18.00)	0.591/(15.00)
12	0.736/(18.70)	0.591/(15.00)	0.472/(12.00)
10	0.618/(15.70)	0.472/(12.00)	0.354/(9.00)
8	0.500/(12.70)	0.354/(9.00)	0.236/(6.00)
6	0.382/(9.70)	0.236/(6.00)	
4	0.264/(6.70)	0.118/(3.00)	

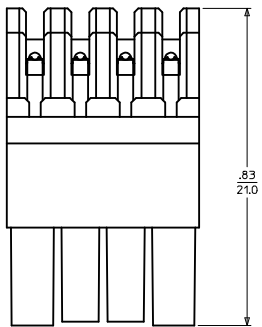


- NOTES:
- MATERIAL: HOUSINGS HIGH TEMP NYLON, GLASS FILLED, UL, 94V-0, COLOR BLACK
TERMINAL: PHOSPHOR BRONZE ALLOY
POSITIONING STRIP: MYLAR, COLOR NATURAL
 - FINISH: (A) - HOT TIN DIP: .000040/0.00102 MIN.
(B) - SELECTIVE GOLD IN THE CONTACT AREA: .000015/0.00039 MIN, SELECTIVE TIN IN THE PC TAIL AREA: .000100/0.00254 MIN, BOTH OVER .000050/0.00127 MIN, NICKEL.
(C) - SELECTIVE GOLD IN THE CONTACT AREA: .000030/0.00076 MIN, SELECTIVE TIN IN THE PC TAIL AREA: .000100/0.00254 MIN, BOTH OVER .000050/0.00127 MIN, NICKEL.
* THE PRIMARY SHIPPING CARTON WILL BE LABELED 'COMPLIANT TO RoHS DIRECTIVE 2002/95/EC AND ELV ANNEX II OF DIRECTIVE 2000/53/EC'. CARTONS WITHOUT THIS LABEL MAY CONTAIN PRODUCT WITH TIN/LEAD IN THE PC TAIL AREA.
 - PRODUCT SPECIFICATIONS: PS-44300-001
 - PACKAGING SPECIFICATIONS: PER MOLEX DRAWING PK-44764-001
 - MATES WITH HEADER ASSEMBLY 44428, 44432, AND 44300
 - MOLEX RECOMMENDS THE USE OF MICRO-FIT TEST PLUG (SERIES 44242) WHENEVER CONTINUITY TESTING IS PERFORMED. TEST PLUGS MUST NOT BE USED TO MAKE OR BREAK UNDER LOAD. MOLEX DOES NOT RECOMMEND USING STANDARD MATING COMPONENTS (SERIES 44428, 44432, OR 44300) FOR TESTING PURPOSES.

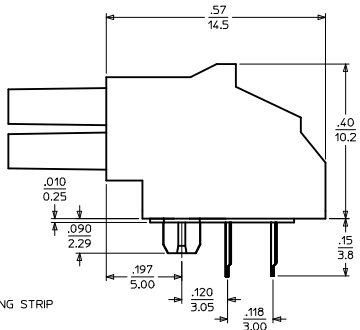
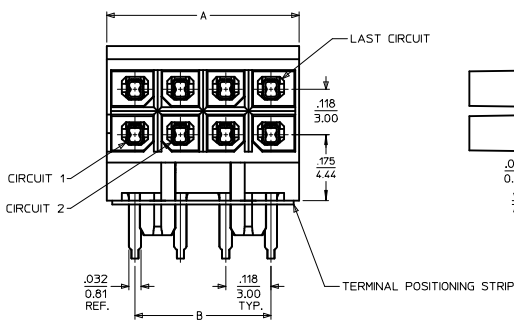
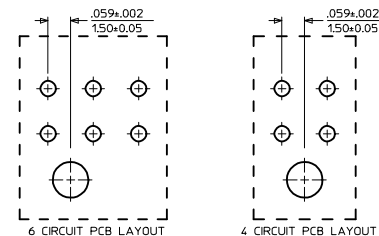
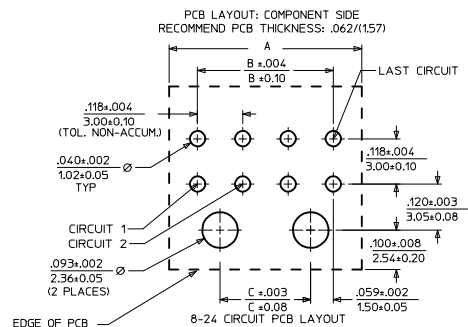
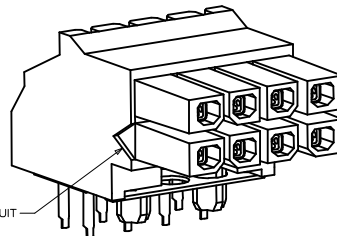
ADD MATING DIMENSION FC NO: UCP2005-2881 DRWN: JLOWE 2005/07/07 CHKD: SSOUSEK 2005/07/13 APPR: FSMITH 2005/07/15	QUALITY SYMBOLS -0 -0	GENERAL TOLERANCES (UNLESS SPECIFIED)		SCALE	DESIGN UNITS	THIRD ANGLE PROJECTION	REVISE ON CAD ONLY
		mm	INCH	---	INCH		
		DIMENSION STYLE		IN/MM			
		4 PLACES ± --- ± ---	3 PLACES ± --- ± .010	DRAWN BY	DATE		
2 PLACES ± 0.25 ± .014	1 PLACE ± 0.35 ± ---	BURLESON	2000/07/13	CHECKED BY	DATE	MICRO-FIT (3.0) BMI R/A RECEPTACLE ASS'Y 4 - 24 CIRCUIT	
	ANGULAR ±1/2°	MUELLER	2000/07/13	APPROVED BY	DATE	MATERIAL NO. DOCUMENT NO. SHEET NO.	
	DRAFT WHERE APPLICABLE	EDGLEY	2000/07/13	SEE CHART SD-44764-001		1 OF 1	
	MUST REMAIN WITHIN DIMENSIONS	THIS DRAWING CONTAINS INFORMATION THAT IS PROPRIETARY TO MOLEX INCORPORATED AND SHOULD NOT BE USED WITHOUT WRITTEN PERMISSION					

MATERIAL NUMBER	NUMBER OF POSITIONS	PLATING OPTION
	04	A
	04	B
	04	C
	06	A
	06	B
	06	C
	08	A
	08	B
	08	C
	10	A
44764-1022	10	B
	10	C
	12	A
	12	B
	12	C
	14	A
	14	B
	14	C
	16	A
	16	B
	16	C
	18	A
	18	B
	18	C
	20	A
	20	B
	20	C
	22	A
	22	B
	22	C
	24	A
	24	B
	24	C

NUMBER OF POSITIONS	DIM. "A"	DIM. "B"	DIM. "C"
24	1.445/(36.70)	1.299/(33.00)	1.181/(30.00)
22	1.327/(33.70)	1.181/(30.00)	1.063/(27.00)
20	1.209/(30.70)	1.063/(27.00)	.945/(24.00)
18	1.091/(27.70)	.945/(24.00)	.827/(21.00)
16	.972/(24.70)	.827/(21.00)	.709/(18.00)
14	.854/(21.70)	.709/(18.00)	.591/(15.00)
12	.736/(18.70)	.591/(15.00)	.472/(12.00)
10	.618/(15.70)	.472/(12.00)	.354/(9.00)
8	.500/(12.70)	.354/(9.00)	.236/(6.00)
6	.382/(9.70)	.236/(6.00)	
4	.264/(6.70)	.118/(3.00)	



FIRST CIRCUIT IDENTIFIER



- NOTES:
- MATERIAL:
HOUSING: HIGH TEMP NYLON, GLASS FILLED, U.L. 94V-0, COLOR BLACK
TERMINAL: PHOSPHOR BRONZE ALLOY
POSITIONING STRIP: NYLAR, COLOR NATURAL
 - FINISH:
(A) = HOT TIN DIP: .00040/0.00102 MIN.
(B) = SELECTIVE GOLD IN THE CONTACT AREA: .000015/0.00039 MIN., SELECTIVE TIN IN THE PC TAIL AREA: .000100/0.00254 MIN., BOTH OVER .000050/0.00127 MIN. NICKEL.
(C) = SELECTIVE GOLD IN THE CONTACT AREA: .000030/0.00076 MIN., SELECTIVE TIN IN THE PC TAIL AREA: .000100/0.00254 MIN., BOTH OVER .000050/0.00127 MIN. NICKEL.
 - PRODUCT SPECIFICATIONS: PS-44300-001
 - PACKAGING SPECIFICATION: TUBE PACKED PER PK-44764-002
 - MATES WITH HEADER ASSEMBLY 44428, 44432, AND 44300
 - MOLEX RECOMMENDS THE USE OF MICRO-FIT TEST PLUG (SERIES 44242) WHENEVER CONTINUITY TESTING IS PERFORMED. TEST PLUGS MUST NOT BE USED TO MAKE OR BREAK UNDER LOAD. MOLEX DOES NOT RECOMMEND USING STANDARD MATING COMPONENTS (SERIES 44428, 44432, OR 44300) FOR TESTING PURPOSES.

INITIAL RELEASE EC NO: UCP2009-0615 DRWN:GAVERRILL 2008/09/15 CHKD:SSOUSEK 2008/09/16 APPR:FSMITH 2008/09/16	QUALITY SYMBOLS ▽ - 0 ▽ - 0	GENERAL TOLERANCES (UNLESS SPECIFIED)		SCALE ---	DESIGN UNITS INCH	THIRD ANGLE PROJECTION	REVISE ON CAD ONLY		
				DIMENSION STYLE IN/MM		TITLE MICRO-FIT (3.0) BMI R/A RECEPTACLE ASS'Y 4 - 24 CKT, TUBE PACKED			
		4 PLACES ± --- ± --- 3 PLACES ± --- ± .010 2 PLACES ± 0.25 ± .014 1 PLACE ± 0.35 ± ---		DRAWN BY GAVERRILL		DATE 2008/09/11		MATERIAL NO. SEE CHART SD-44764-003	
		ANGULAR ±1/2°		CHECKED BY SSOUSEK		DATE 2008/09/11		DOCUMENT NO. 1 OF 1	
DRAFT WHERE APPLICABLE MUST REMAIN WITHIN DIMENSIONS		APPROVED BY FSMITH		DATE 2008/09/15		SHEET NO. 1 OF 1			
THIS DRAWING CONTAINS INFORMATION THAT IS PROPRIETARY TO MOLEX INCORPORATED AND SHOULD NOT BE USED WITHOUT WRITTEN PERMISSION									