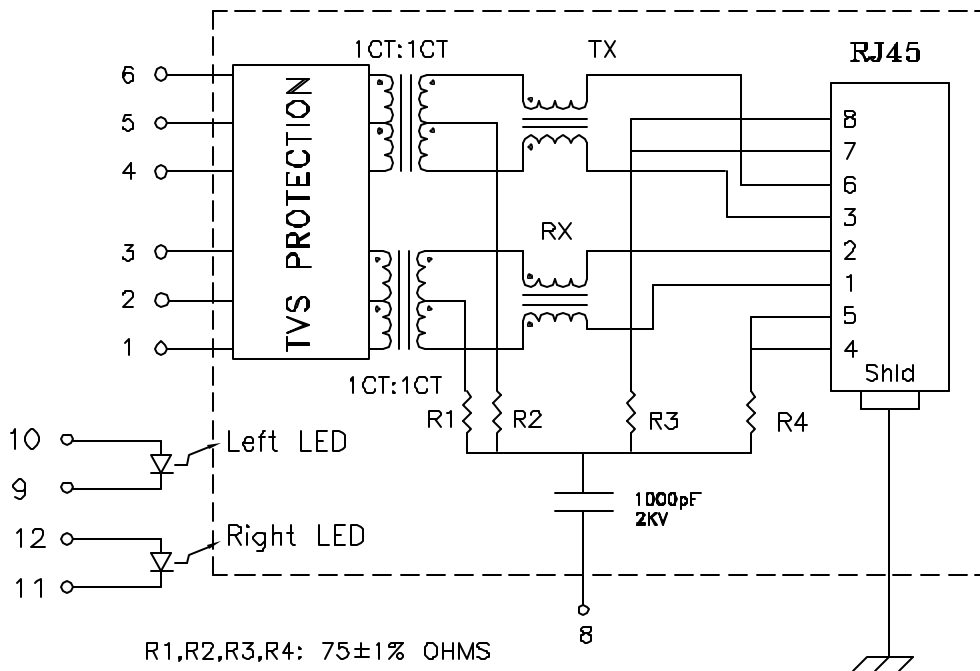


Schematic:



Electrical Specifications: @25°C

Isolation Voltage: 1500 Vrms (Input to Output)

Turns Ratio: TX 1CT:1CT ±3% RX 1CT:1CT ±3%

CABLE SIDE OCL: 350uH Minimum @100KHz 100mV 8mA DC

Cw/w: 27pF Typical @100KHz 100mV

Insertion Loss (300KHz-100MHz): -1.00dB Min

Return Loss: @30MHz -18dB Minimum

@80MHz -12dB Minimum

Notes:

- Solderability: Leads shall meet MIL-STD-202G, Method 208H for solderability.
- Flammability: UL94V-D
- ASTM oxygen index: > 28%
- Insulation System: Class F 155°C. UL file E151556
- Operating Temperature Range: All listed parameters are to be within tolerance from -40°C to +85°C
- Storage Temperature Range: -55°C to +125°C
- Aqueous wash compatible
- Electrical and mechanical specifications 100% tested
- RoHS Compliant Component
- Designed to meet GR1089 Intra-Building Lightning Standard

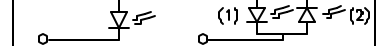
Complete the Combo P/N as follows:

Replace 'x' & 'u' in the part number with one of the LED color letters:
 Y=Yellow X' = Left LED Color
 G=Green U = Right LED Color
 A=Amber
 R=Red

C=Green(1)/Amber(2) Bicolor
 D=Amber(1)/Green(2) Bicolor
 M=Green(1)/Yellow(2) Bicolor
 N=Yellow(1)/Green(2) Bicolor
 F=Red(1)/Green(2) Bicolor
 Q=Green(1)/Red(2) Bicolor
 E=Red(1)/Yellow(2) Bicolor
 J=Yellow(1)/Red(2) Bicolor
 H=Amber(1)/Yellow(2) Bicolor

Single Color LED:

Bi-Color LED:



DOC REV: B/1

XFMRs Inc.

Title: **SINGLE PORT COMBO**

UNLESS OTHERWISE SPECIFIED
 TOLERANCES:
 .xxx ±0.010

Dimensions in Inch

SHEET 1 OF 2

P/N: XFATM9DF-CLxu1-4MS

REV. B

DWN.

Xiany

Aug-25-09

CHK.

YK Liao

Aug-25-09

APP.

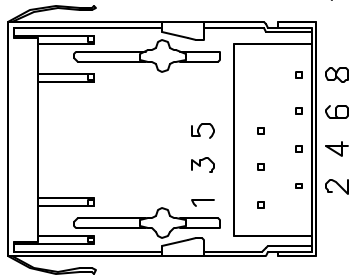
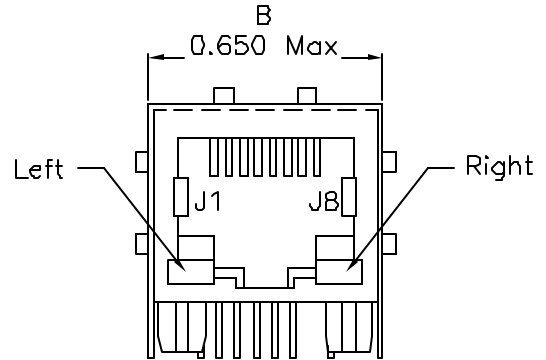
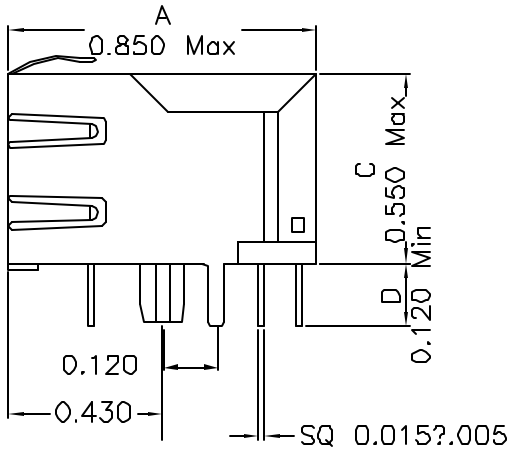
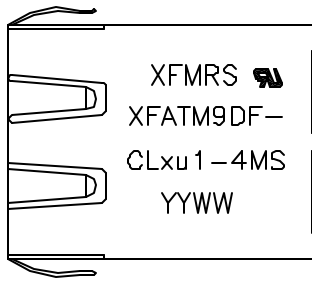
Joe Huff

Aug-25-09

PROPRIETARY

Document is the property of XFMRs Group & is not allowed to be duplicated without authorization.

Mechanical Dimensions:

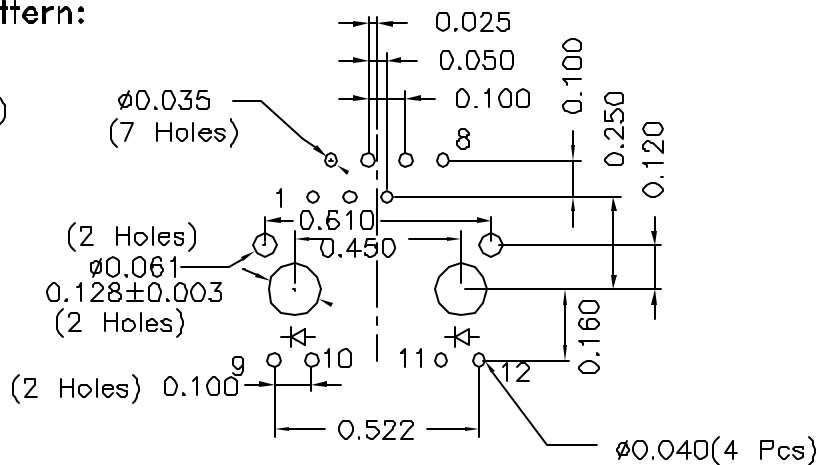


(BOTTOM VIEW)

*Remove Pin#7

Mounting Pattern:

(COMP SIDE)



DOC REV: B/1

XFMR5 Inc. www.XFMR5.com	Title: Mechanical Dimensions For CLxu1-4MS Series		
	UNLESS OTHERWISE SPECIFIED TOLERANCES: .xxx ±0.010 Dimensions in Inch	P/N: XFATM9DF-CLxu1-4MS	REV. B
	DWN.	Xianyi	Aug-25-09
	CHK.	YK Liao	Aug-25-09
	APP.	Joe Huff	Aug-25-09
SHEET 2 OF 2			

PROPRIETARY:

Document is the property of XFMR5 Group & is not allowed to be duplicated without authorization.