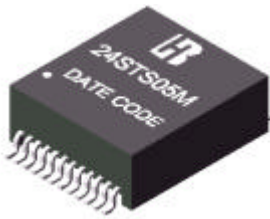




10/100 BASE-T TWO PORT TRANSFORMER

P/N: 24STS05M DATA SHEET

Feature



- Designed to meet IEEE802.3u requirement.
- Operating temperature range: -40 to +85 .
- Storage temperature range: -40 to +125 .

Electrical Specifications @ 25° C

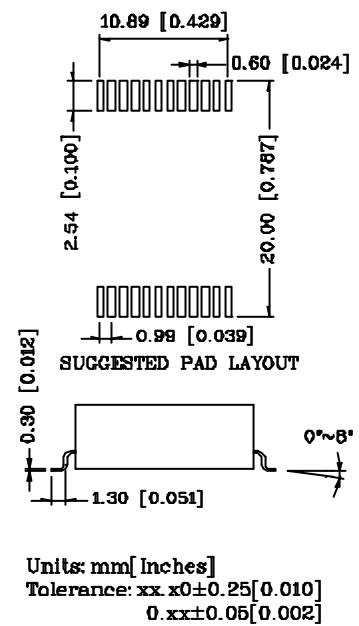
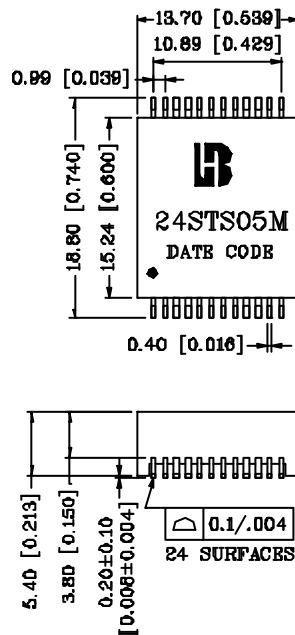
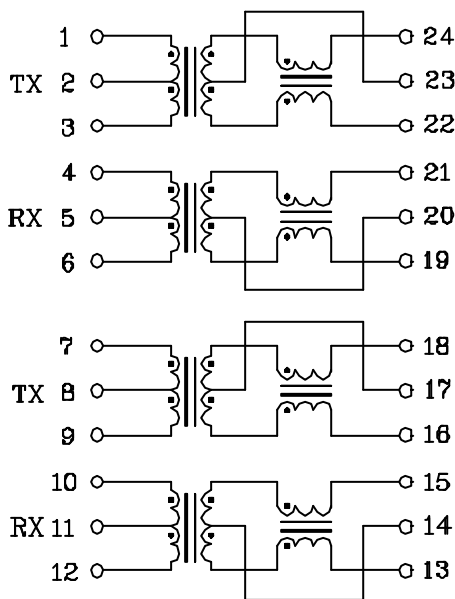
Part Number	Turns Ratio (±5%)		OCL(μH Min) @100KHz/0.1V with 8mA DC Bias	HI-POT (Vrms)
	TX	RX		
24STS05M	1CT:1CT	1CT:1CT	350	1500

Continue

Part Number	Insertion Loss (dB Max)		Return Loss (dB Min)			Cross talk (dB Min)		
	0.1MHz	100MHz	30MHz	60MHz	80MHz	30MHz	60MHz	80MHz
24STS05M	-1.2	-1.4	-16	-10	-10	-45	-40	-33

Schematic

Mechanical



Units: mm[Inches]  
Tolerance: xx.x0±0.25[0.010]  
0.xx±0.05[0.002]