

**PLEASE CHECK WWW.MOLEX.COM FOR LATEST PART INFORMATION**

**Part Number:** [0475310001](#)  
**Status:** **Active**  
**Overview:** [battery connectors](#)  
**Description:** 2.00mm (.079") Pitch Battery Connector, SMT, Contact Width 0.67mm (.026"), without Mylar, 4 Circuits

**Documents:**

[3D Model](#) [Product Specification PS-47531-001 \(PDF\)](#)  
[Drawing \(PDF\)](#) [RoHS Certificate of Compliance \(PDF\)](#)

**General**

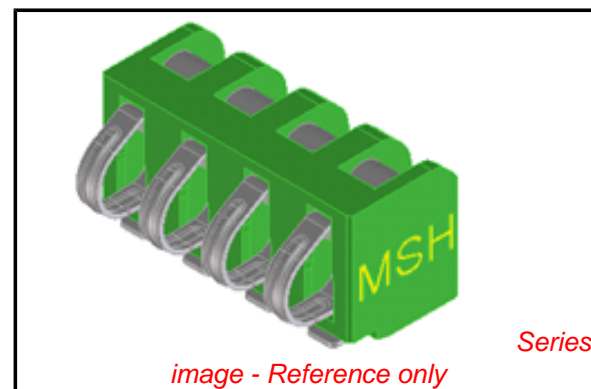
Product Family	PCB Headers
Series	<a href="#">47531</a>
Application	Board-to-Board
Overview	<a href="#">battery connectors</a>
Product Name	Battery Connector

**Physical**

Breakaway	No
Circuits (Loaded)	4
Circuits (maximum)	4
Durability (mating cycles max)	10,000
First Mate / Last Break	No
Glow-Wire Compliant	No
Guide to Mating Part	No
Keying to Mating Part	None
Lock to Mating Part	None
Material - Metal	Copper Alloy
Material - Plating Mating	Gold
Material - Plating Termination	Gold
Material - Resin	High Temperature Thermoplastic
Number of Rows	1
Orientation	Right Angle
PC Tail Length (in)	0.000 In
PC Tail Length (mm)	0.00 mm
PCB Locator	No
PCB Retention	None
Packaging Type	Embossed Tape on Reel
Pitch - Mating Interface (in)	0.079 In
Pitch - Mating Interface (mm)	2.00 mm
Pitch - Term. Interface (in)	0.079 In
Pitch - Term. Interface (mm)	2.00 mm
Plating min: Mating (µin)	30
Plating min: Mating (µm)	0.75
Plating min: Termination (µin)	3
Plating min: Termination (µm)	0.08
Polarized to Mating Part	Yes
Polarized to PCB	No
Shrouded	No
Stackable	Yes
Temperature Range - Operating	-40°C to +85°C
Termination Interface: Style	Surface Mount

**Electrical**

Current - Maximum per Contact	1A
Voltage - Maximum	200V (RMS)



**EU RoHS**

**ELV and RoHS Compliant**  
**REACH SVHC**  
 Not Reviewed  
**Halogen-Free Status**  
 Not Reviewed

**China RoHS**



**Need more information on product environmental compliance?**

Email [productcompliance@molex.com](mailto:productcompliance@molex.com)  
 For a multiple part number RoHS Certificate of Compliance, [click here](#)

Please visit the [Contact Us](#) section for any non-product compliance questions.

**Search Parts in this Series**  
[47531Series](#)

**Material Info**

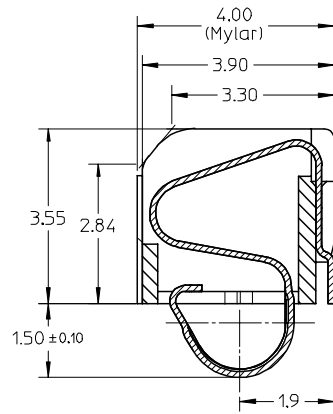
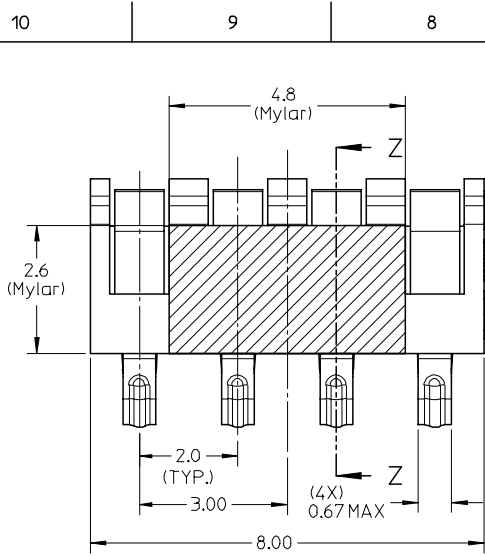
**Reference - Drawing Numbers**

Packaging Specification  
Product Specification  
Sales Drawing

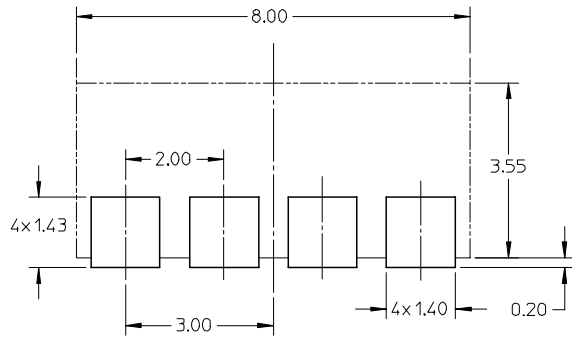
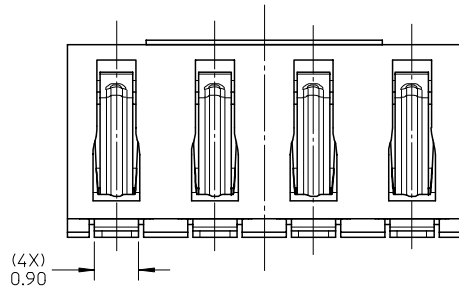
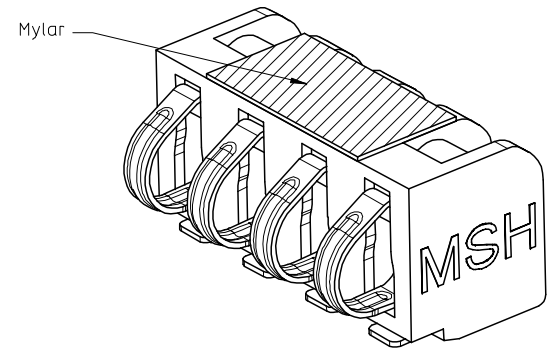
PK-47531-001  
PS-47531-001  
SD-47531-001

This document was generated on 05/26/2010

**PLEASE CHECK [WWW.MOLEX.COM](http://WWW.MOLEX.COM) FOR LATEST PART INFORMATION**



SECTION Z-Z



RECOMMENDED PCB LAYOUT

NOTE:

- MATERIAL:  
HOUSING: LCP, 30% GLASS-FILLED, UL 94V-0. COLOR IS BLACK  
TERMINAL: COPPER ALLOY, 0.12 MM BeCu
- FINISH:  
CONTACT AREA: 30-50 MICRO INCHES GOLD PLATING OVER 50-140 MICRO INCHES NICKEL  
SOLDER AREA: 3 MICRO MIN GOLD FLASH OVER 50-140 MICRO INCHES NICKEL  
REST AREA: 50-140 MICRO INCHES NICKEL
- RECOMMENDED WORKING RANGE 1.05 ~ 0.55 MM.
- COPLANARITY: 0.1 MAX AMONG THESE SOLDER TAILS.
- PRODUCT SPECIFICATION: PS-47531-001

NEW PRODUCT	DESCRIPTION
EC NO: SH2007-0529	2007/02/06
DRWN: YLZHU02	2007/02/06
CHKD: XUXIANG	2007/02/06
APPR: JNCHEN	2007/02/15
A	REV

QUALITY SYMBOLS	VALUE
▽=0	
∇=0	

GENERAL TOLERANCES (UNLESS SPECIFIED)	
mm	INCH
4 PLACES	± --- ± ---
3 PLACES	± --- ± ---
2 PLACES	± 0.15 ± ---
1 PLACE	± 0.25 ± ---
ANGULAR ± 5 °	
DRAFT WHERE APPLICABLE MUST REMAIN WITHIN DIMENSIONS	

475310011	4 PIN BATTERY CONNECTOR WITHOUT MYLAR		
475310001	4 PIN BATTERY CONNECTOR WITH MYLAR		
PART NUMBER		DESCRIPTION	
DIMENSION STYLE		SCALE	DESIGN UNITS
MM ONLY		10:1	METRIC
DRAWN BY		DATE	TITLE
YLZHU02		2007/01/30	ASSEMBLY DRAWING 4 PIN BATTERY CONNECTOR 2.0MM PITCH
CHECKED BY		DATE	
XIXU		2007/01/31	MOLEX INCORPORATED
APPROVED BY		DATE	
JNCHEN		2007/01/31	
MATERIAL NO.		DOCUMENT NO.	SHEET NO.
SEE TABLE		SD-47531-001	1 OF 1
THIS DRAWING CONTAINS INFORMATION THAT IS PROPRIETARY TO MOLEX INCORPORATED AND SHOULD NOT BE USED WITHOUT WRITTEN PERMISSION			