

PARAMETER		UNITS
Turns Ratio	1:1 ± 1%	
Primary Impedance with 100 Ω on Secondary	135	Ω
Longitudinal Balance 200 - 1000 Hz 15 kHz	60 min. 40 min.	dB dB
Primary DC Resistance	19.5 max.	Ω
Secondary DC Resistance	19.5 max.	Ω
Frequency Response 100Hz - 112kHz	± 1.0	dB
Insertion Loss @ 10kHz	1.25 ± 0.25	dB
Isolation (HI-POT)	1500	V _{RMS}
Primary DC	None	
Inductance (tested @ 1 kHz & 1V _{RMS})	200 min.	mH
Leakage Inductance (tested @ 10 kHz & 1VRMS)	43 max.	μH
Interwinding Capacitance (tested @ 10 kHz & 1VRMS)	65 max.	pF
Return Loss @ 100Hz to 100kHz	15 min.	dB

DDS Application Pulse Transformer

Part Number T-710 5-Pin Version T-710-5

Designed for DDS applications

Compatible with
Level One LXT400 & LXT456
transceiver ICs

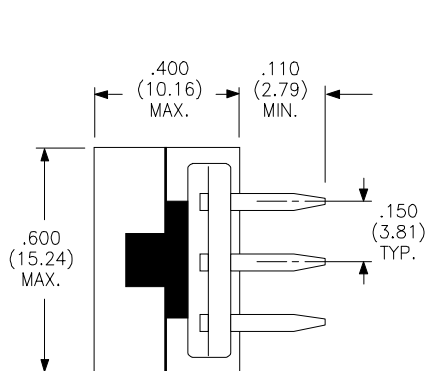
Low Profile "Touch Tone" design

Custom versions of this
transformer are available.

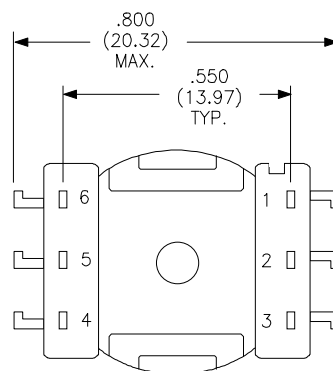
A Surface Mount version of this
transformer is available

Physical Dimensions in inches (mm)

5-Pin Part Number T-710-5: per Drawing Below Pin #2 is removed



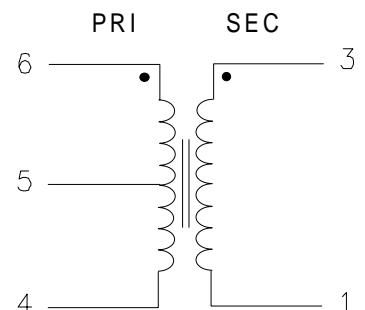
Terminal Dimensions
.015 (.381) X .042 (1.07) Typical.



Bottom View

Notch on bobbin indicates pin #1

Schematic Diagram



05/03/96