

**SINGLE RJ45 CONNECTOR MODULE WITH INTEGRATED 10 BASE T MAGNETICS & FILTER AND LEDS**

P/N : LF1S021-43

Page : 1/2

**Feature**



- RJ-45 connector integrated with filter.
- Size same as RJ-45 connector to save PCB Board space.
- Reduce EMI radiation, improve EMI performance.
- Operating temperature range: 0°C to +70°C.
- Storage temperature range: -25°C to +85°C.
- Recommended panel

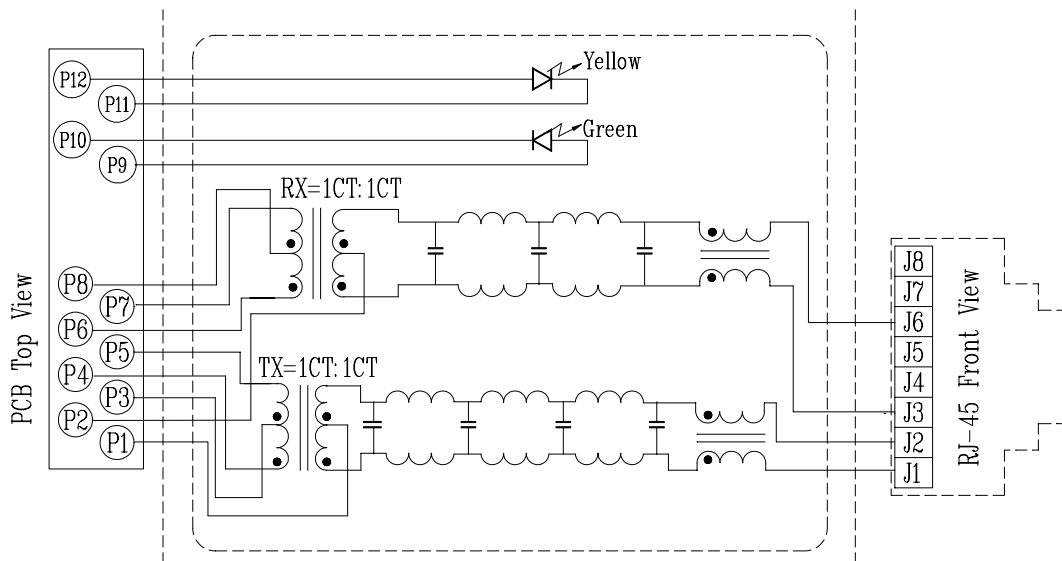
Part Number	Standard LED	Forward*V(Max)	(TYP)
3	YELLOW	2.6V	2.1V
4	GREEN	2.6V	2.2V

\*with a forward current of 20mA

Electrical Specifications @ 25°C								
Part Number	Turns Ratio (±5%)		Type (POLE)		CUT OFF Frequency (TX/RX)	HI-POT (Vrms)		
	TX	RX	TX	RX				
LF1S021-43	1CT:1CT	1CT:1CT	7	5	17 MHz±1.5 MHz	1200		
Continue								
Part Number	Insertion Loss (dB Max) TX/RX	Return Loss (dB Min) TX/RX	Attenuation (dB Min) TX/RX				Cross talk Attenuation (dB Min) TX/RX	CMR (dB Min) TX/RX
	1-10MHz	5-10MHz	20MHz	25MHz	30MHz	40MHz	1-10MHz	30-100MHz
LF1S021-43	-1.0	-14	-5/-4.2	-18/-11	-28/-16	-33/-26	-30/-30	-30/-30

**Schematic**

Block Circuit x 1 set in LF1S021-43

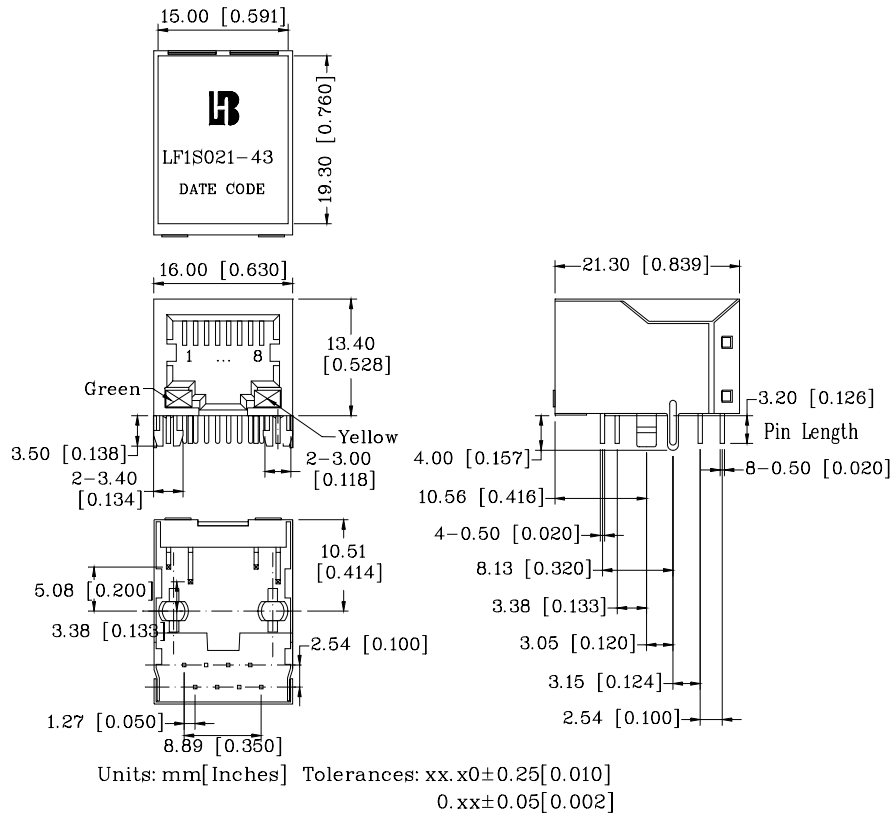


**SINGLE RJ45 CONNECTOR MODULE WITH INTEGRATED 10 BASE T MAGNETICS & FILTER AND LEDS**

P/N : LF1S021-43

Page : 2/2

**Mechanical**



1. Plastic Material : PBT 15% Glass Filled(UL 94V-0), Black Housing
2. Metal Shield : Brass C2680-H, 20u Nickel Plated, t=0.25mm
3. Spring Wire : 0.45mm Dia. Phosphor bronze with 6u gold plated
4. Solder Pin : 0.4x0.4mm, Phosphor bronze with solder Plated
5. Durability : 300 Mating cycles Min.

**PCB Layout Mounting Hole(Top View)**

