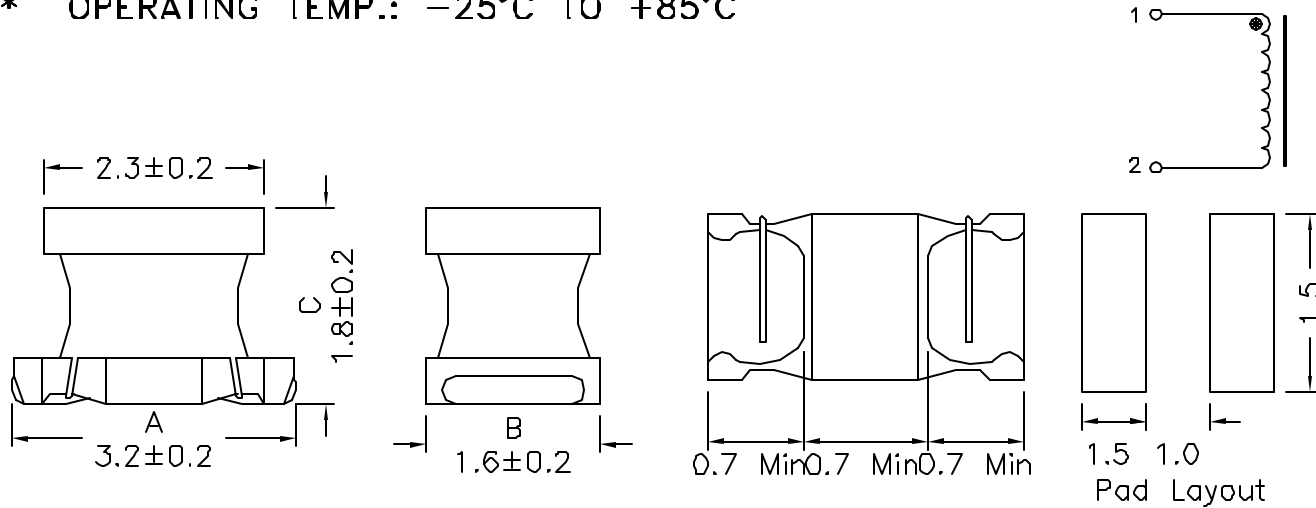


## XFWI321618 SERIES INDUCTORS

- \* TAPE AND REEL PACKAGING FOR HIGH VOLUME MANUFACTURING  
2000 PCS PER 7" REEL
- \* FOR DC/DC CONVERTERS, DC/AC INVERTERS, VRM APPLICATIONS
- \* TEMP. RISE; 15°C TYPICAL ABOVE 60°C AMBIENT
- \* OPERATING TEMP.: -25°C TO +85°C

Schematic:



Part Number	INDUCTANCE (uH)	Q Min	SRF Min. (MHz)	RDC Max (Ohms)	IDC Max (mA)	Test Frequency (MHz)
XFWI321618-R15X	0.15	20	250	0.55	250	1
XFWI321618-R22X	0.22	20	250	0.61	240	1
XFWI321618-R33X	0.33	30	250	0.63	230	1
XFWI321618-R47X	0.47	30	200	1.17	215	1
XFWI321618-R56X	0.56	30	180	0.86	200	1
XFWI321618-R68X	0.68	30	160	0.94	190	1
XFWI321618-R82X	0.82	30	120	1.03	185	1
XFWI321618-1R0X	1.0	35	100	0.64	175	1
XFWI321618-1R2X	1.2	35	90	1.17	165	1
XFWI321618-1R5X	1.5	35	75	1.30	155	1
XFWI321618-1R8X	1.8	35	60	2.08	150	1
XFWI321618-2R2X	2.2	35	50	0.91	140	1
XFWI321618-2R7X	2.7	35	43	0.72	135	1
XFWI321618-3R3X	3.3	35	38	1.82	130	1

\*X: Please specify the inductance tolerance, M(±20%), K(±10%) or J(±5%)

## XFWI321618 SERIES INDUCTORS

Part Number	INDUCTANCE (uH)	Q Min	SRF Min. (MHz)	RDC Max (Ohms)	IDC Max (mA)	Test Frequency (MHz)
XFWI321618-3R9X	3.9	35	35	1.95	125	1
XFWI321618-4R7X	4.7	35	31	2.21	120	1
XFWI321618-5R6X	5.6	35	28	2.34	115	1
XFWI321618-6R8X	6.8	35	25	2.60	110	1
XFWI321618-8R2X	8.2	35	23	2.86	105	1
XFWI321618-100X	10	35	20	3.25	100	1
XFWI321618-120X	12	35	18	3.51	95	1
XFWI321618-150X	15	35	16	3.90	90	1
XFWI321618-180X	18	35	15	4.42	85	1
XFWI321618-220X	22	40	14	4.03	85	1
XFWI321618-270X	27	40	13	4.42	85	1
XFWI321618-330X	33	40	12	4.94	80	1
XFWI321618-390X	39	40	11	9.36	55	1
XFWI321618-470X	47	40	10	10.4	55	1
XFWI321618-560X	56	40	9.0	11.6	50	1
XFWI321618-680X	68	40	8.5	12.9	50	1
XFWI321618-820X	82	40	7.5	14.3	45	1
XFWI321618-101X	100	40	7.0	15.6	45	1

\*X: Please specify the inductance tolerance, M( $\pm 20\%$ ), K( $\pm 10\%$ ) or J( $\pm 5\%$ )

Notes:

1. Solderability: Leads shall meet MIL-STD-202, Method 208D for solderability.
2. Flammability: UL94V-0
3. ASTM oxygen index: > 28%
4. Insulation System: Class F 155°C. UL file E151556
5. Operating Temperature Range: All listed parameters are to be within tolerance from -40°C to +85°C
6. Storage Temperature Range: -55°C to +125°C
7. Aqueous wash compatible
8. SMD Lead Coplanarity:  $\pm 0.004^*(0.102\text{mm})$
9. Moisture Sensitivity: Level 2