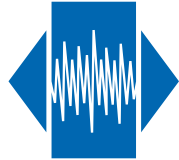


# VTO-SK-H-4p

SMD VC-TCXO  
HCMOS

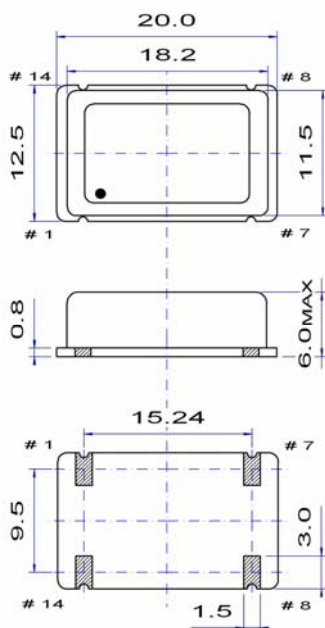
QuartzCom  
the communications company



## Features

- Applications: telecom infrastructure, broadband access
- Output signal HCMOS
- Wide frequency range up to 200 MHz
- Low phase noise

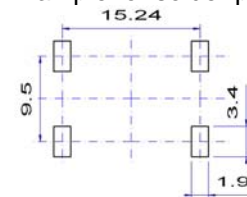
Parameter	Specification	
	VTO-SK-3H-4p	VTO-SK-5H-4p
Frequency range	10 ~ 200 MHz	
Standard frequencies	10.000, 13.000, 19.200, 19.440, 20.000, 26.000 & 80.000 MHz	
Frequency stability:		
vs. temperature	≤ ±0.5 ~ ±2.5 ppm	
vs. supply & load change	≤ ±0.2 ppm	±5 %
vs. aging	≤ ±1.0 ppm	1 <sup>st</sup> year
Frequency tolerance ex. factory	≤ ±1.0 ppm	@ +25 °C
Supply voltage	+3.3 V ±5 %	+5.0 V ±5 %
Supply current	10 ~ 65 mA	
Output signal	HCMOS	
Output load	15 pF	
Frequency pulling range	±5 ~ ±20 ppm	
Voltage control	+1.65 V ±1.35 V	+2.5 V ±2.0 V
Phase noise @ 80 MHz carrier frequency	-115 dBc/Hz -138 dBc/Hz -148 dBc/Hz	@ 100 Hz @ 1 kHz @ 10 kHz
Operating temperature range	-20 ~ +70 °C -40 ~ +85 °C	commercial application industrial application
Storage temperature range	-55 ~ +125 °C	
Packaging units	tape & reel tray	500 pieces 50 pieces
Customer specifications on request		



## Pin function

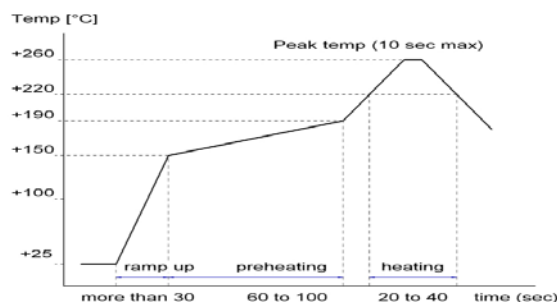
- # 1 Vc Voltage control
- # 7 GND
- # 8 Output
- # 14 Vdc

## Example for solder pattern



*Do not design any conductive path between the pattern*

## Example for IR reflow soldering temperature



2002/95/EC RoHS compliant

02 May. 10

QuartzCom AG  
sales@quartzcom.com

QuartzCom Asia  
sales-asia@quartzcom.com

QuartzCom USA  
sales-usa@quartzcom.com

[www.quartzcom.com](http://www.quartzcom.com)

ISO 9001  
BUREAU VERITAS  
Certification

