

PLEASE CHECK WWW.MOLEX.COM FOR LATEST PART INFORMATION

Part Number: [0543660478](#)
Status: **Active**
Overview: [usb](#)
Description: Universal Serial Bus (USB) Shielded I/O Receptacle, SMT, Side Flange Reverse Mount, Lead-free

Documents:

[3D Model](#) [Product Specification PS-54366-008 \(PDF\)](#)
[Drawing \(PDF\)](#) [RoHS Certificate of Compliance \(PDF\)](#)

General

Product Family	I/O Connectors
Series	54366
Application	Wire-to-Board
Comments	Side Flange
Component Type	Receptacle
Overview	usb
Product Name	USB
Type	A

Physical

Circuits (Loaded)	4
Circuits (maximum)	4
Color - Resin	Natural
Lock to Mating Part	Yes
Material - Plating Mating	Gold
Material - Plating Termination	Tin
Material - Resin	High Temperature Thermoplastic
Orientation	Right Angle
PCB Locator	Yes
PCB Retention	Yes
Packaging Type	Embossed Tape on Reel
Panel Mount	Yes
Pitch - Mating Interface (in)	0.079 In, 0.098 In
Pitch - Mating Interface (mm)	2.00 mm, 2.50 mm
Plating min: Mating (µin)	30
Plating min: Mating (µm)	0.75
Plating min: Termination (µin)	40
Plating min: Termination (µm)	1
Polarized to Mating Part	Yes
Surface Mount Compatible (SMC)	N/A
Temperature Range - Operating	0°C to +40°C
Termination Interface: Style	Surface Mount
Wire Size AWG	N/A

Electrical

Current - Maximum per Contact	1A
Shielded	Yes
Voltage - Maximum	30V

Material Info

Reference - Drawing Numbers

Product Specification	PS-54366-008, RPS-54366-002
Sales Drawing	SD-54366-007, SD-54366-008

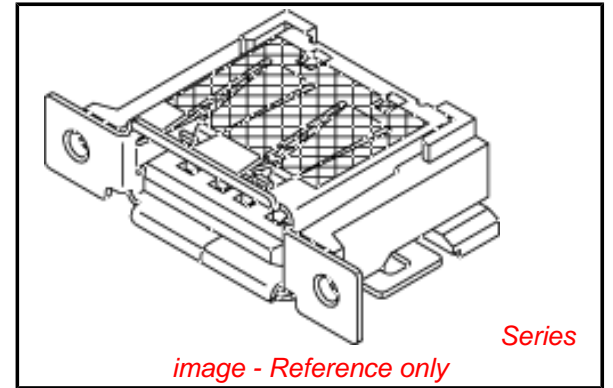


image - Reference only

EU RoHS

**ELV and RoHS
Compliant**
REACH SVHC
 Not Reviewed
**Halogen-Free
Status**

China RoHS



**Need more information on product
environmental compliance?**

Email productcompliance@molex.com
 For a multiple part number RoHS Certificate of Compliance, [click here](#)

Please visit the [Contact Us](#) section for any non-product compliance questions.

Search Parts in this Series

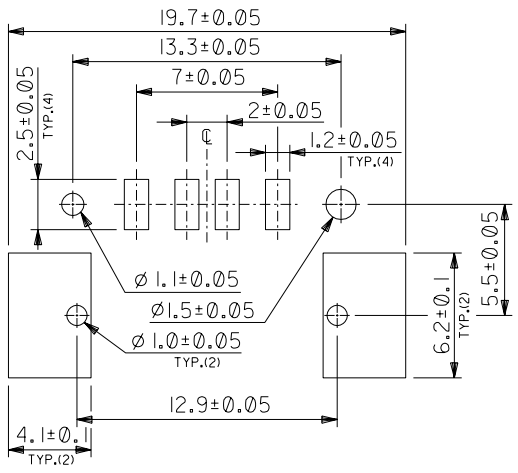
[54366Series](#)

Mates With

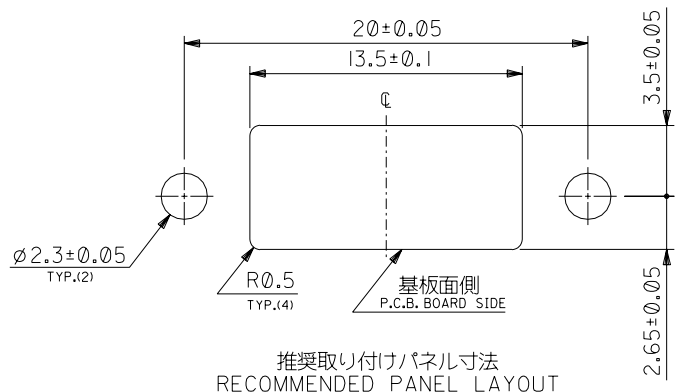
USB Type A Plug

This document was generated on 06/07/2010

PLEASE CHECK WWW.MOLEX.COM FOR LATEST PART INFORMATION



推奨基板寸法
RECOMMENDED PCB LAYOUT



推奨取り付けパネル寸法
RECOMMENDED PANEL LAYOUT

注記
NOTES:

- 材質
MATERIAL
ハウジング: PPA (ポリフタルアミド)、ガラス充填
白色, UL 94V-0
HOUSING : PPA(POLYPHTHALAMIDE), GLASS FILLED, WHITE, UL94V-0
ターミナル: 燐青銅 (t=0.3)
TERMINAL : PHOSPHOR BRONZE (t=0.3)
シェル: 黄銅 (t=0.4)
SHELL : BRASS (t=0.4)
- メッキ仕様
PLATING
ターミナル
TERMINAL
接点部: 金メッキ 最小0.75マイクロメートル
CONTACT AREA: GOLD 0.75 MICROMETER MINIMUM
半田付け部: 錫メッキ 最小1.0マイクロメートル
SOLDER TAIL AREA: TIN 1.0 MICROMETER MINIMUM
下地メッキ: ニッケルメッキ 最小1.25マイクロメートル
UNDER PLATING: NICKEL 1.25 MICROMETER MINIMUM
シェル: 錫メッキ 最小1.0マイクロメートル
SHELL: TIN 1.0 MICROMETER MINIMUM
下地メッキ ニッケルメッキ 最小2.0マイクロメートル
UNDER PLATING: NICKEL 2.0 MICROMETER MINIMUM
- テール平坦度は、最大0.1ミリメートル
TAIL COPLANARITY TO BE 0.1MMAXIMUM
- 本製品は54366-***12の鉛フリー品である。
THIS PRODUCT IS LEAD FREE OF 54366-***12.

DO NOT SCALE DRAWING

EC NO. DRWN: CHK: APPR:	EC NO. DRWN: CHK: APPR:	EC NO. DRWN: CHK: APPR:	EC NO. DRWN: CHK: APPR:	EC NO. DRWN: CHK: APPR:	RELEASED EC NO. J2004-3318 DRWN: Y.WADA '04/03/24 CHK: M.SASAO '04/03/24 APPR: M.SASAO '04/03/24	MATERIAL 材料	注記参照 SEE NOTES	GENERAL TOLERANCES: (UNLESS SPECIFIED) 一般公差	SCALE —#	MODEL NO.	54366-***19	DIMENSIONS:	SHT	REV
						FINISH 仕上げ				注記参照 SEE NOTES	DESIGN UNITS <input checked="" type="checkbox"/> mm <input type="checkbox"/> INCH	<input checked="" type="checkbox"/> mm <input type="checkbox"/> INCH <input checked="" type="checkbox"/> mm ONLY	THIRD ANGLE PROJECTION	REVISE ON CAD ONLY
						WIRE RANGE 適用電線範囲	—#	10 UNDER 未満	±0.2	DRAWN BY & DATE Y.WADA '04/03/24	TITLE: USB I/O CONN. ASS'Y (SIDE FLANGE REVERSE SMT TYPE) -LEAD FREE-			
						INS. RANGE 被覆外径	—#	10 OVER 30 UNDER 以上 未満	±0.25	CHECKED BY & DATE M.SASAO '04/03/24				
								30 OVER 以上	±0.3	APPROVED BY & DATE M.SASAO '04/03/24				
								ANGLE 角度	±3°	CAD FILENAME SD-54366-007.S02	MATERIAL NO. 54366-0419	DRAWING NO. SD-54366-007	SHEET NO. 2 OF 2	
										THIS DRAWING CONTAINS INFORMATION THAT IS PROPRIETARY TO MOLEX INCORPORATED AND SHOULD NOT BE USED WITHOUT WRITTEN PERMISSION.				SIZE B

DWG. NO. SD-54366-008

F

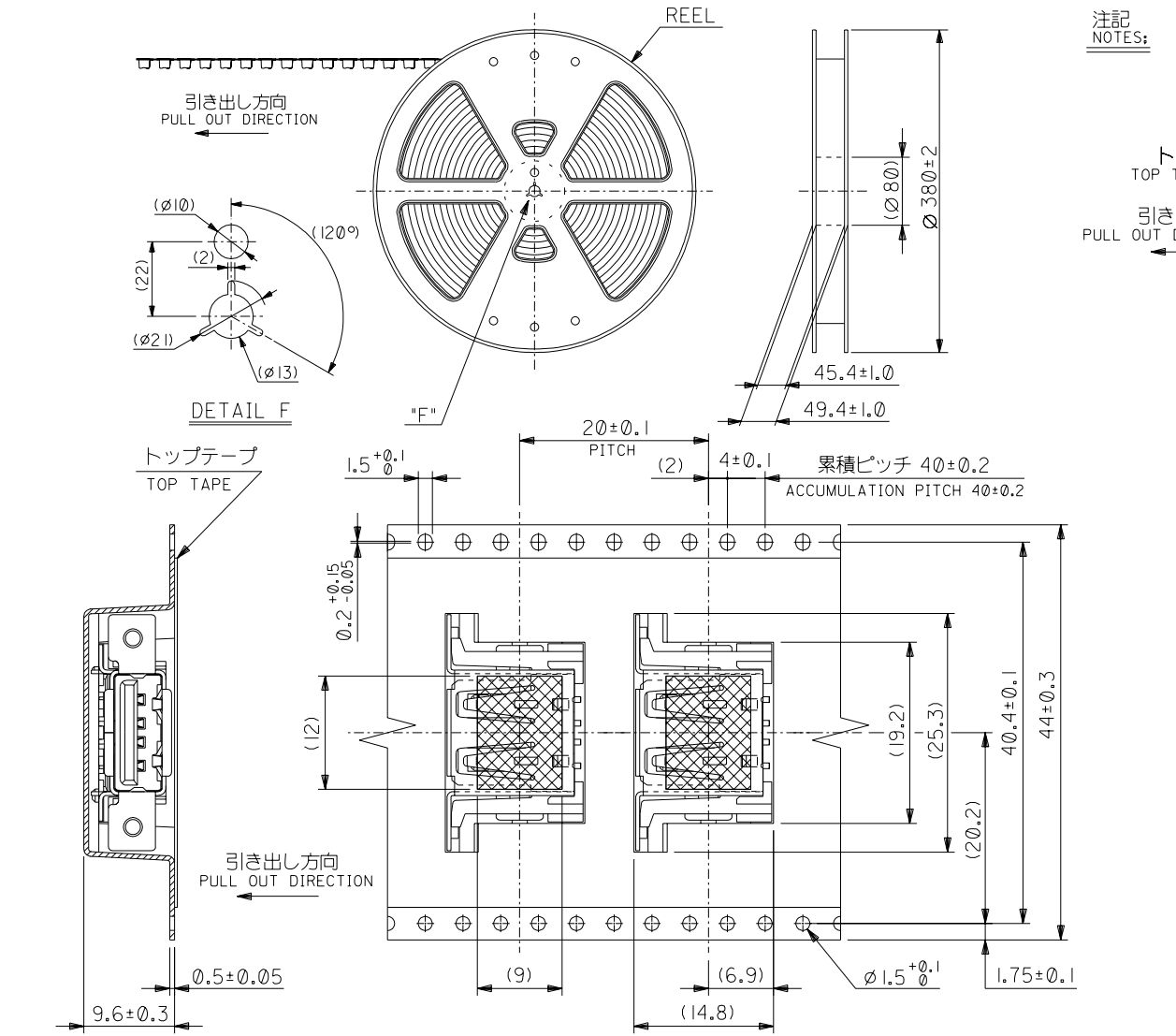
D

V

C

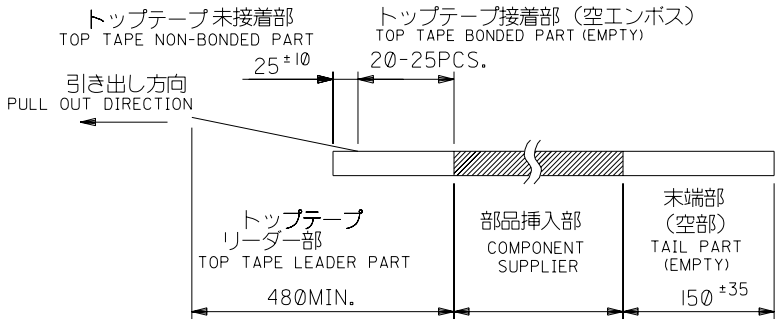
B

DO NOT SCALE DRAWING

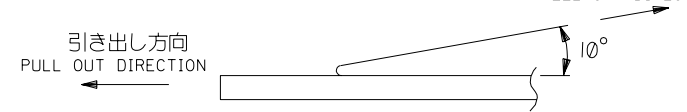


注記
NOTES:

- 製品詳細寸法については SD-54366-007 を参照下さい。
RE DETAILED DIMENSION SEE SD-54366-007
- 梱包数量: 350 個/リール
NUMBER OF CONNECTORS: 350 PCS/REEL
- リードテープ長さ
LEAD TAPE LENGTH



- トップテープの剥離強度: 0.1~1.3N {10~130gf}
(剥離方向は下図参照)
剥離速度: 300mm/min (参考)
PEEL-OFF FORCE OF TOP TAPE: 0.1~1.3N {10~130gf}
(PEELING DIRECTION AS SHOWN IN FOLLOWING FIG.)
PEEL-OFF SPEED: 300mm/min (REF.)



- 材料
MATERIAL
キャリアテープ: ポリプロピレン
CARRIER TAPE: POLYPROPYLENE
トップテープ: ポリエステル, ポリエチレン
TOP TAPE: POLYESTER, POLYETHYLENE
リール: ポリスチレン (PS) <リサイクル材を含む>
REEL: POLYSTYRENE(PS) <RECYCLE MATERIAL CONTAINED>
- 本製品は54366-**-18の鉛フリー品である。
THIS PRODUCT IS LEAD FREE OF 54366-**-18.

44	54366-0419	54366-0478	4
テープ幅 TAPE WIDTH	装着コネクタ CONNECTOR	製品番号 MATERIAL NO.	極数 CIRCUITS

MODEL NO.	54366-**-78	DIMENSIONS:	SHT	REV
DESIGN UNITS	<input checked="" type="checkbox"/> mm <input type="checkbox"/> INCH	<input type="checkbox"/> mm <input type="checkbox"/> INCH	<input type="checkbox"/> mm <input type="checkbox"/> INCH	<input checked="" type="checkbox"/> mm ONLY
THIRD ANGLE PROJECTION				REVISE ON CAD ONLY

DRAWN BY & DATE Y.WADA '04/03/24		TITLE: EMBOSSD TAPE PACKAGE FOR 54366-0419 -LEAD FREE-	
CHECKED BY & DATE M.SASAO '04/03/24		MOLEX MOLEX INCORPORATED	
APPROVED BY & DATE M.SASAO '04/03/24			

CAD FILENAME SD-54366-008.S01	MATERIAL NO. 54366-0478	DRAWING NO. SD-54366-008	SHEET NO. 1 OF 1
----------------------------------	----------------------------	-----------------------------	---------------------

THIS DRAWING CONTAINS INFORMATION THAT IS PROPRIETARY TO MOLEX INCORPORATED AND SHOULD NOT BE USED WITHOUT WRITTEN PERMISSION.

EC NO. DRWN: CHK: APPR:	EC NO. DRWN: CHK: APPR:	EC NO. DRWN: CHK: APPR:	EC NO. DRWN: CHK: APPR:	EC NO. DRWN: CHK: APPR:	REV	WIRE RANGE 適用電線範囲	INS. RANGE 被覆外径	GENERAL TOLERANCES: (UNLESS SPECIFIED) 一般公差	SCALE	DESIGN UNITS	TITLE:
					0			10 UNDER 未満 ±0.2	—	<input checked="" type="checkbox"/> mm <input type="checkbox"/> INCH	EMBOSSD TAPE PACKAGE FOR 54366-0419 -LEAD FREE-
								10 OVER 30 UNDER 未満 ±0.25			
								30 OVER 以上 ±0.3			
								ANGLE 角度 ±3°			