

PLEASE CHECK WWW.MOLEX.COM FOR LATEST PART INFORMATION

Part Number: [0716607068](#)
Status: **Active**
Description: 1.27mm (.050") Pitch EBBI™ 50D Receptacle, Vertical, Blind-Mate, 68 Circuits

Documents:

[3D Model](#) [Product Specification PS-55087-002 \(PDF\)](#)
[Drawing \(PDF\)](#) [RoHS Certificate of Compliance \(PDF\)](#)

Agency Certification

CSA LR19980
 UL E29179

General

Product Family PCB Receptacles
 Series [71660](#)
 Application Board-to-Board
 MolexKits Yes
 Product Name EBBI™

Physical

Circuits (Loaded) 68
 Color - Resin Black
 Durability (mating cycles max) 2,000
 Flammability 94V-0
 Glow-Wire Compliant No
 Material - Metal Phosphor Bronze
 Material - Plating Mating Gold
 Material - Plating Termination Tin
 Material - Resin High Temperature Thermoplastic
 Number of Rows 2
 Orientation Vertical
 PC Tail Length (in) 0.110 In
 PC Tail Length (mm) 2.79 mm
 PCB Locator Yes
 PCB Retention Yes
 PCB Thickness Recommended (in) 0.062 In
 PCB Thickness Recommended (mm) 1.60 mm
 Packaging Type Tray
 Pitch - Mating Interface (in) 0.050 In
 Pitch - Mating Interface (mm) 1.27 mm
 Plating min: Mating (µin) 30
 Plating min: Mating (µm) 0.75
 Plating min: Termination (µin) 10
 Plating min: Termination (µm) 0.25
 Polarized to PCB Yes
 Temperature Range - Operating -40°C to +105°C
 Termination Interface: Style Through Hole

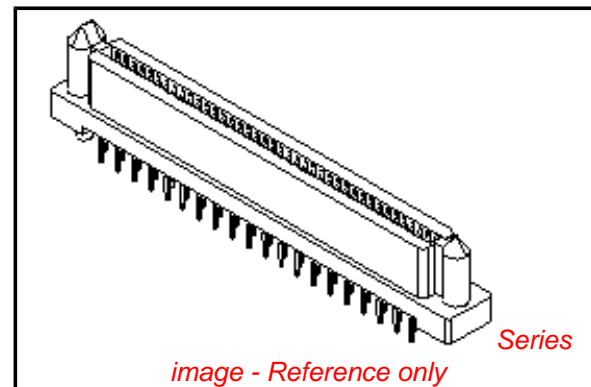
Electrical

Current - Maximum per Contact 1A
 Voltage - Maximum 30V

Solder Process Data

Lead-free Process Capability SMC & Wave Capable (TH only)
 Process Temperature max. C 260

Material Info



EU RoHS

ELV and RoHS Compliant
REACH SVHC Contains SVHC: No
Halogen-Free Status

China RoHS



Need more information on product environmental compliance?

Email productcompliance@molex.com
 For a multiple part number RoHS Certificate of Compliance, [click here](#)

Please visit the [Contact Us](#) section for any non-product compliance questions.

Search Parts in this Series

[71660Series](#)

Mates With

[71661-7xxx](#) , [71661-25xx](#)

Reference - Drawing Numbers

Packaging Specification

Product Specification

Sales Drawing

PK-71660

PS-55087-002, RPS-55087-001

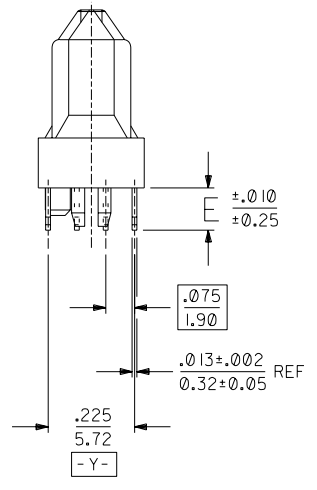
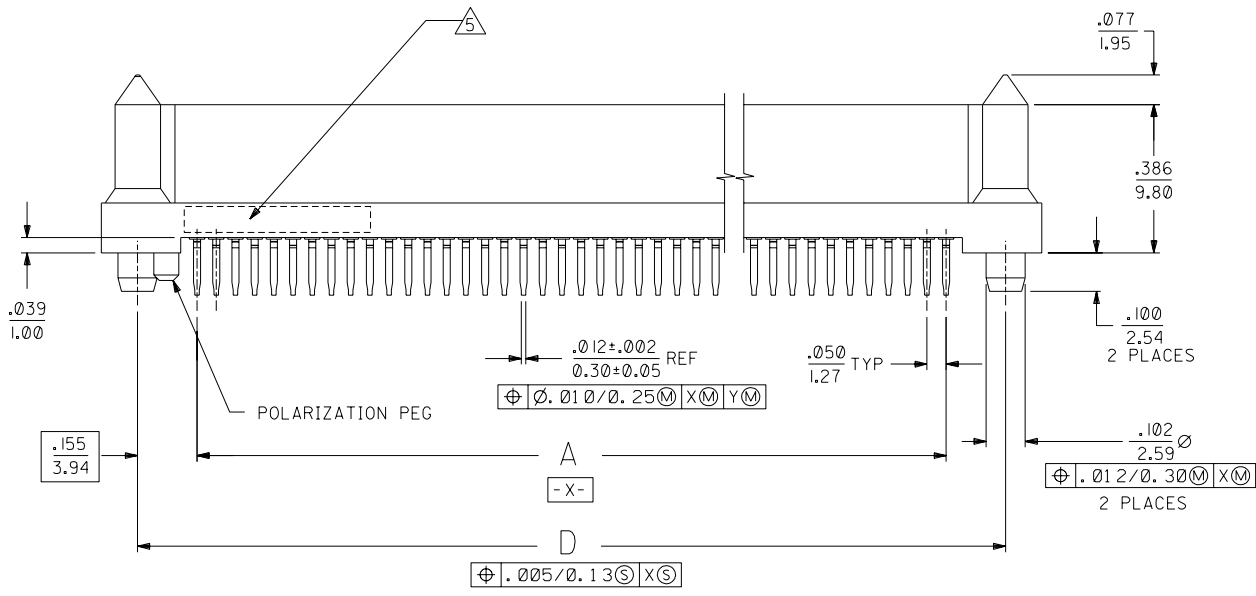
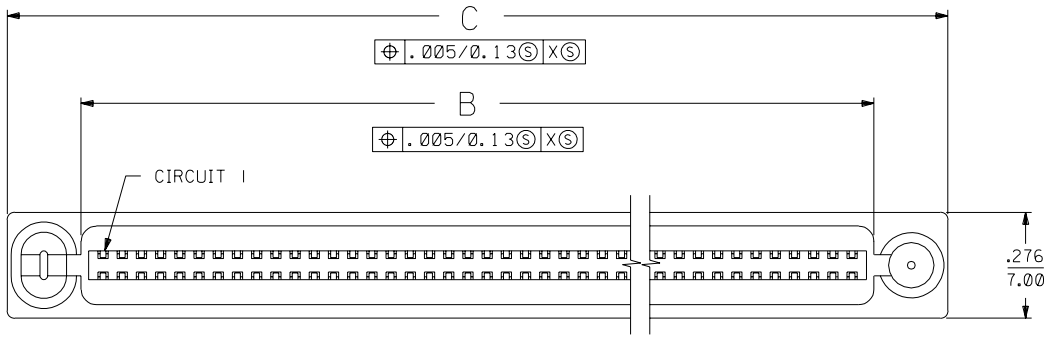
SDA-71660-7***

This document was generated on 06/08/2010

PLEASE CHECK WWW.MOLEX.COM FOR LATEST PART INFORMATION

NOTES:

- 1) MATERIALS:
HOUSING- LCP, GLASS FILLED, 94V-0, BLACK.
TERMINALS- COPPER ALLOY
- 2) FINISH:
TERMINALS:
.000030/(0.00076) MINIMUM GOLD IN CONTACT AREA AND
.000050/(0.00127) MINIMUM TIN IN TAIL AREA OVER
.000075/(0.00191) MINIMUM NICKEL UNDERPLATE OVERALL.
- 3) ASSEMBLY MATES WITH MOLEX P/N SDA-71661-7***.
CONFORMS TO PRODUCT SPECIFICATION PS-71660.
- 4) RECOMMENDED P.C. BOARD THICKNESS IS .062/1.6 mm.
- 5) FOUR DIGIT DATE CODE TO BE LOCATED ON SURFACE AS SHOWN.



NOTE FOR LEAD FREE CONVERSION:
THE PRIMARY SHIPPING CARTON WILL BE LABELED "COMPLIANT TO RoHS DIRECTIVE 2002/95/EC AND ELV ANNEX II OF DIRECTIVE 2000/53/EC". CARTONS WITHOUT THIS LABEL MAY CONTAIN PRODUCT WITH LEAD.

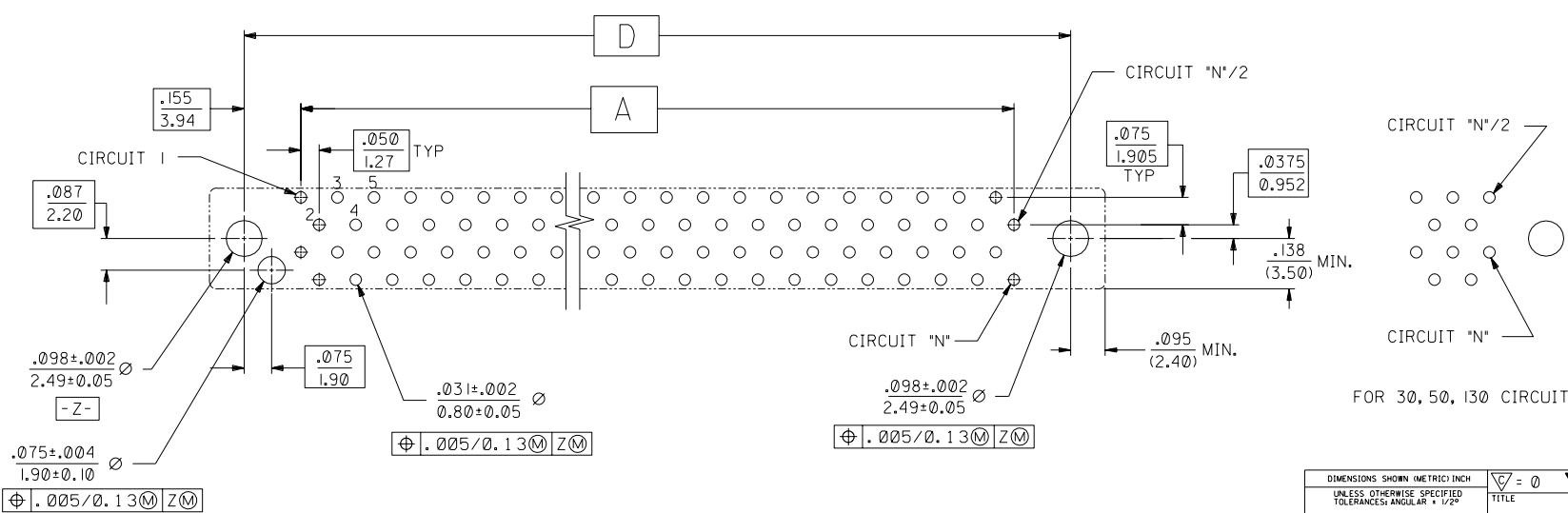
N	ADD LONG TAIL UCP2004-1302 RWWHITE 04/07/14
M	LEAD FREE CONV ECN UCP2004-2096 RKADAMS 04/04/29
L	REVISED PER UDT 2000-1231 ACHAMMER 00/06/07
K	REVISED PER ECN U71314 ACHAMMER 97/4/25
J	REVISED PER ECN U70133 ACHAMMER 96/8/19
I	REVISED PER ECN U70090 ACHAMMER 96/7/26
H	REVISED PER ECN U61278 5-2-96 DCA
G	REVISED PER ECN U60641 11-29-95 DRS
F	REVISED PER ECN U60564 11-8-95 RAN
E	REVISED PER ECN U50229 9-23-94 RAN
D	REVISED PER ECN U50090 8-30-94 RAN
C	REVISED PER ECN U40506 4-15-94 RAN
B	REVISED PER ECN U40305 3-4-94 RAN
A	INITIAL RELEASE PER ECN U31832 12-15-93 RAN
I	PRELIMINARY 11-17-93 RAN

DIMENSIONS SHOWN (METRIC) INCH		UNLESS OTHERWISE SPECIFIED TOLERANCES: ANGULAR ± 1/2°	
3 PLACE ± .005 ---		INCH METRIC	
2 PLACE ± --- ± 0.13		---	
1 PLACE --- ± ---		---	
DRAWING WHERE APPLICABLE MUST REMAIN WITHIN DIMENSIONS		SEE TABLE	
DRWG. BY: RAN	CHK'D. BY: RAN	FILE NAME: S71660X7	DATE: 11/17/93
APP'D. BY: CAB	SCALE: 4:1	SHEET NO. 1 OF 2	

REVISIONS			
2	N		
1	N		
MFG, SH, REV, LTR.			

PART NO. SDA-71660-7***	
TITLE: SALES ASSEMBLY EBB1 50D VERTICAL RCPT BLIND MATE CONNECTOR	
MOLEX INCORPORATED U.S.A. 60532	

ITEM NUMBER	CKT ('N')	A	B	C	D	E
71660-7030	30	.700 (17.78)	.815 (20.70)	1.199 (30.45)	1.010 (25.65)	.110 (2.79)
71660-7040	40	.950 (24.13)	1.065 (27.05)	1.449 (36.80)	1.260 (32.00)	
71660-7050	50	1.200 (30.48)	1.315 (33.40)	1.699 (43.15)	1.510 (38.35)	
71660-7060	60	1.450 (36.83)	1.565 (39.75)	1.949 (49.50)	1.760 (44.70)	
71660-7068	68	1.650 (41.91)	1.765 (44.83)	2.149 (54.58)	1.960 (49.78)	
71660-7080	80	1.950 (49.53)	2.065 (52.45)	2.449 (62.20)	2.260 (57.40)	
71660-7100	100	2.450 (62.23)	2.565 (65.15)	2.949 (74.90)	2.760 (70.10)	
71660-7120	120	2.950 (74.93)	3.065 (77.85)	3.449 (87.60)	3.260 (82.80)	
71660-7130	130	3.200 (81.28)	3.315 (84.20)	3.699 (93.95)	3.510 (89.15)	
71660-7230	30	.700 (17.78)	.815 (20.70)	1.199 (30.45)	1.010 (25.65)	
71660-7240	40	.950 (24.13)	1.065 (27.05)	1.449 (36.80)	1.260 (32.00)	
71660-7250	50	1.200 (30.48)	1.315 (33.40)	1.699 (43.15)	1.510 (38.35)	
71660-7260	60	1.450 (36.83)	1.565 (39.75)	1.949 (49.50)	1.760 (44.70)	
71660-7268	68	1.650 (41.91)	1.765 (44.83)	2.149 (54.58)	1.960 (49.78)	
71660-7280	80	1.950 (49.53)	2.065 (52.45)	2.449 (62.20)	2.260 (57.40)	
71660-7300	100	2.450 (62.23)	2.565 (65.15)	2.949 (74.90)	2.760 (70.10)	
71660-7320	120	2.950 (74.93)	3.065 (77.85)	3.449 (87.60)	3.260 (82.80)	
71660-7330	130	3.200 (81.28)	3.315 (84.20)	3.699 (93.95)	3.510 (89.15)	
71660-7630	30	.700 (17.78)	.815 (20.70)	1.199 (30.45)	1.010 (25.65)	.155 (3.94)
71660-7640	40	.950 (24.13)	1.065 (27.05)	1.449 (36.80)	1.260 (32.00)	
71660-7650	50	1.200 (30.48)	1.315 (33.40)	1.699 (43.15)	1.510 (38.35)	
71660-7660	60	1.450 (36.83)	1.565 (39.75)	1.949 (49.50)	1.760 (44.70)	
71660-7668	68	1.650 (41.91)	1.765 (44.83)	2.149 (54.58)	1.960 (49.78)	
71660-7680	80	1.950 (49.53)	2.065 (52.45)	2.449 (62.20)	2.260 (57.40)	
71660-7700	100	2.450 (62.23)	2.565 (65.15)	2.949 (74.90)	2.760 (70.10)	
71660-7720	120	2.950 (74.93)	3.065 (77.85)	3.449 (87.60)	3.260 (82.80)	
71660-7730	130	3.200 (81.28)	3.315 (84.20)	3.699 (93.95)	3.510 (89.15)	



RECOMMENDED PC BOARD LAYOUT Δ
 COMPONENT SIDE
 FOR 40, 60, 68, 80, 100, 120 CIRCUIT SIZES

DIMENSIONS SHOWN (METRIC) INCH		▽ = 0 ▼ = 0		REVISE ONLY ON CAD SYSTEM	
UNLESS OTHERWISE SPECIFIED TOLERANCES: ANGULAR ± 1/2°					
3 PLACE	± .005	---	---		
2 PLACE	± ---	± 0.13	---		
1 PLACE	---	± ---	---		
DRAFT WHERE APPLICABLE MUST REMAIN WITHIN DIMENSIONS					
DRWG. BY	RAN	CHK'D. BY	RAN	FILE NAME	571660BXT
APP'D. BY	CAB	SCALE	4: 1	THIS DRAWING CONTAINS INFORMATION THAT IS PROPRIETARY TO MOLEX INC. AND SHOULD NOT BE USED WITHOUT WRITTEN PERMISSION.	MOLEX INC. U.S.A.
PART NO.		DRWG. NO.		DATE	
SEE TABLE		SDA-71660-7***		11/17/93	
MFG. SH. REV. LTR.		REVISIONS			
N		SEE SHEET I			
K		SEE SHEET I			