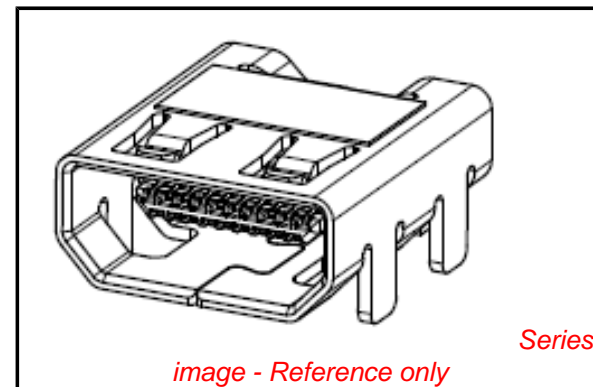


**PLEASE CHECK WWW.MOLEX.COM FOR LATEST PART INFORMATION**

**Part Number:** **0467651001**  
**Status:** **Active**  
**Overview:** type d micro connectors  
**Description:** 0.40mm (.016") Pitch HDMI\* Type D Micro Connector, Right Angle Receptacle, SMT, with Through Hole Shell Tabs and Kapton Tape, 19 Circuits, Lead free

**Documents:**

[3D Model](#) [Product Specification PS-46765-003 \(PDF\)](#)  
[Drawing \(PDF\)](#) [RoHS Certificate of Compliance \(PDF\)](#)  
[Packaging Specification \(PDF\)](#)



**General**

Product Family	I/O Connectors
Series	46765
Application	Wire-to-Board
Component Type	Receptacle
Overview	type d micro connectors
Product Name	HDMI, Micro HDMI*
Type	D

**Physical**

Boot Color	N/A
Circuits (Loaded)	19
Circuits (maximum)	19
Gender	Male
Keying to Mating Part	Yes
Lock to Mating Part	Yes
Material - Metal	Copper Alloy
Material - Plating Mating	Gold
Material - Plating Termination	Gold
Material - Resin	High Temperature Thermoplastic
Number of Rows	2
Orientation	Right Angle
PCB Retention	Yes
Packaging Type	Embossed Tape on Reel
Panel Mount	No
Pitch - Mating Interface (in)	0.016 In
Pitch - Mating Interface (mm)	0.40 mm
Pitch - Term. Interface (in)	0.016 In
Pitch - Term. Interface (mm)	0.40 mm
Plating min: Mating (µin)	30
Plating min: Mating (µm)	0.76
Plating min: Termination (µin)	2
Plating min: Termination (µm)	0.05
Polarized to Mating Part	Yes
Polarized to PCB	Yes
Ports	1
Termination Interface: Style	Surface Mount
Waterproof / Dustproof	No

**Electrical**

Current - Maximum per Contact	0.8A
Grounding to Panel	Yes
Shield Type	Full Shield
Shielded	Yes
Voltage - Maximum	30V

<b>EU RoHS</b> <b>ELV and RoHS</b> <b>Compliant</b> <b>REACH SVHC</b> <b>Contains SVHC: No</b> <b>Halogen-Free</b> <b>Status</b> <b>Not Reviewed</b>	<b>China RoHS</b> 
---	--

**Need more information on product environmental compliance?**

Email [productcompliance@molex.com](mailto:productcompliance@molex.com)  
 For a multiple part number RoHS Certificate of Compliance, [click here](#)

Please visit the [Contact Us](#) section for any non-product compliance questions.

**Search Parts in this Series**  
46765Series

**Mates With**  
68786 Micro HDMI\* Cable Assemblies

## Material Info

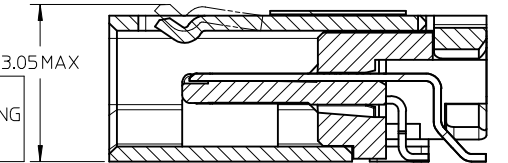
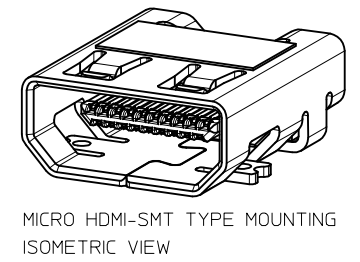
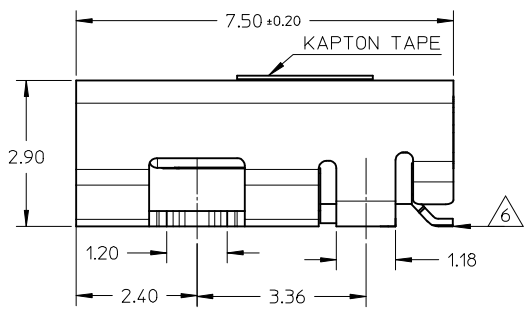
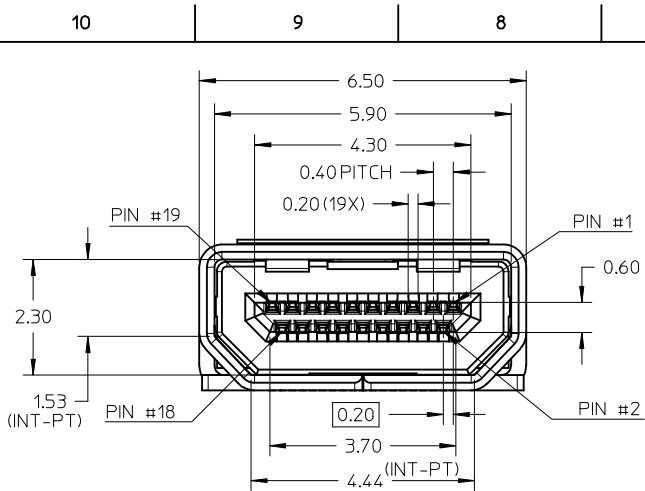
### Reference - Drawing Numbers

Packaging Specification	PK-46765-001, PK-89990-879
Product Specification	PS-46765-003, RPS-46765-003, RPS-46765-004
Sales Drawing	SD-46765-001

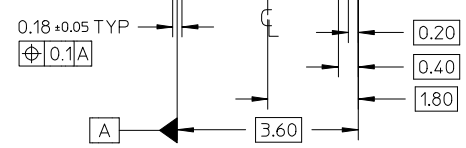
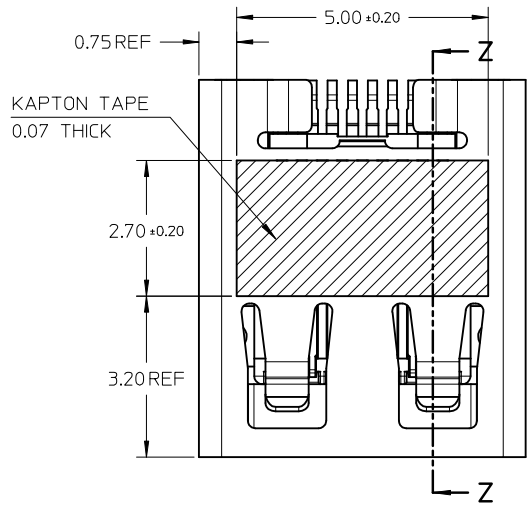
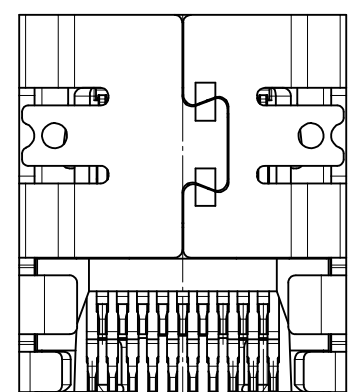
\* High Definition Multimedia Interface and HDMI are trademarks of HDMI Licensing, LLC.

This document was generated on 05/27/2010

**PLEASE CHECK [WWW.MOLEX.COM](http://WWW.MOLEX.COM) FOR LATEST PART INFORMATION**



SECTION Z-Z

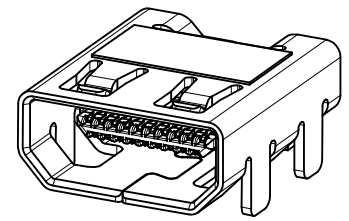
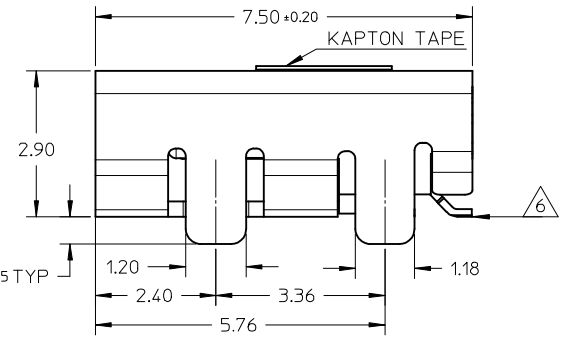
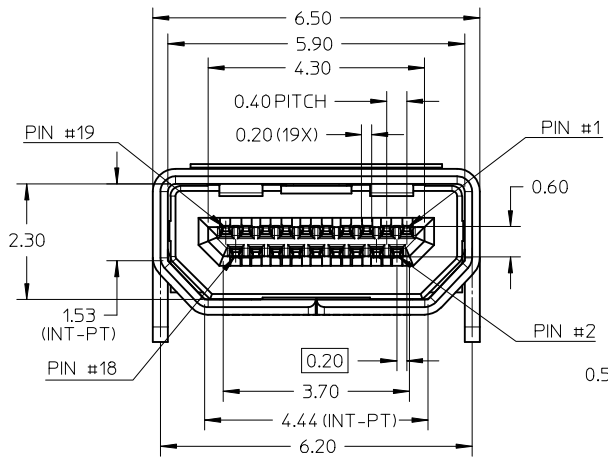


NOTES:

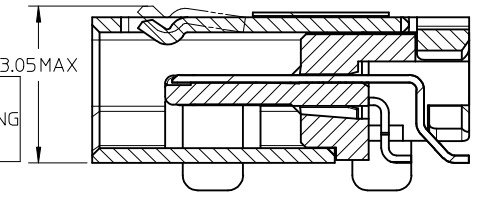
1. MATERIALS:  
 HOUSING: LCP, 30% GLASS FILLED, UL94V-0  
 TERMINALS: BRASS ALLOY  
 SHIELD: STAINLESS STEEL
2. FINISHES:  
 TERMINALS: 0.76UM MIN GOLD ON CONTACT AREA, 0.05UM MIN GOLD FLASH ON SOLDER TAILS, AND 2.0UM MIN NICKEL UNDERPLATE OVERALL  
 SHIELD: 3.8UM MIN MATTE TIN OVER 1.27UM MIN NICKEL
3. PRODUCT SPECIFICATION: PS-46765-001
4. PACKAGING SPECIFICATION: PACKED IN TAPE & REEL
5. SEE SHEET 4 OF 5 FOR RECOMMENDED PCB LAYOUT
6. TERMINAL SOLDER-TAIL COPLANARITY 0.08 MAX

MOUNTING TYPE	PART NUMBER
SMT TYPE+KAPTON TAPE	46765-0001
SMT TYPE	46765-0011

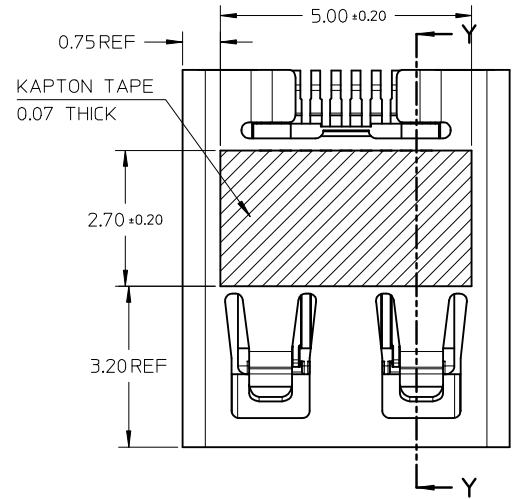
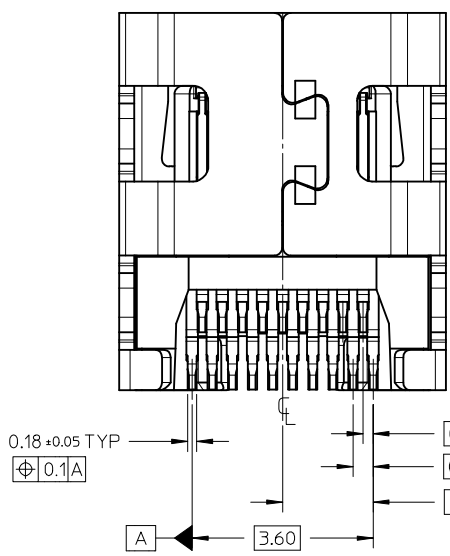
RELEASED IEC NO: S2010-0287 DRWN: KSSHAMTHA 2009/10/05 CHKD: JESSIE CHUA 2009/10/05 APPR: NAGESHKN 2009/10/06	DESCRIPTION REV	QUALITY SYMBOLS	GENERAL TOLERANCES (UNLESS SPECIFIED)	DIMENSION STYLE	SCALE	DESIGN UNITS	THIRD ANGLE PROJECTION
		$\nabla = 0$ $\nabla C = 0$	mm    INCH 4 PLACES ± --- ± --- 3 PLACES ± --- ± --- 2 PLACES ± 0.1 ± --- 1 PLACE ± --- ± --- ANGULAR ± 2 °	MM ONLY	NTS	METRIC	
		DRAFT WHERE APPLICABLE MUST REMAIN WITHIN DIMENSIONS	DRAWN BY: MKAMARAU    DATE: 2008/10/14 CHECKED BY: MKAMARAU    DATE: 2008/10/14 APPROVED BY: MBANAKIS    DATE: 2008/10/14 MATERIAL NO.    DOCUMENT NO.	TITLE <b>MICRO HDMI, TYPE-D          0.4MM PITCH, 19CKT          RECEPTACLE CONNECTOR</b> <b>MOLEX INCORPORATED</b>			
		SEE TABLE	SIZE: A3 THIS DRAWING CONTAINS INFORMATION THAT IS PROPRIETARY TO MOLEX INCORPORATED AND SHOULD NOT BE USED WITHOUT WRITTEN PERMISSION	SHEET NO. 1 OF 5			



MICRO HDMI-THRU HOLE TYPE MOUNTING ISOMETRIC VIEW



SECTION Y-Y

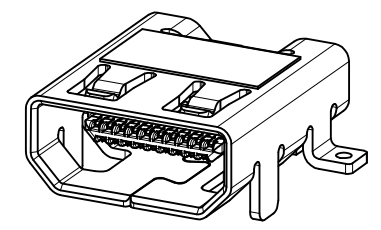
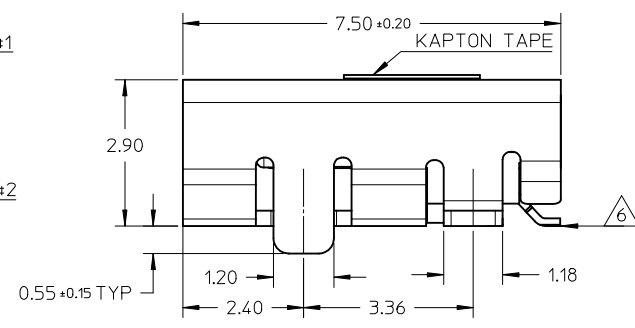
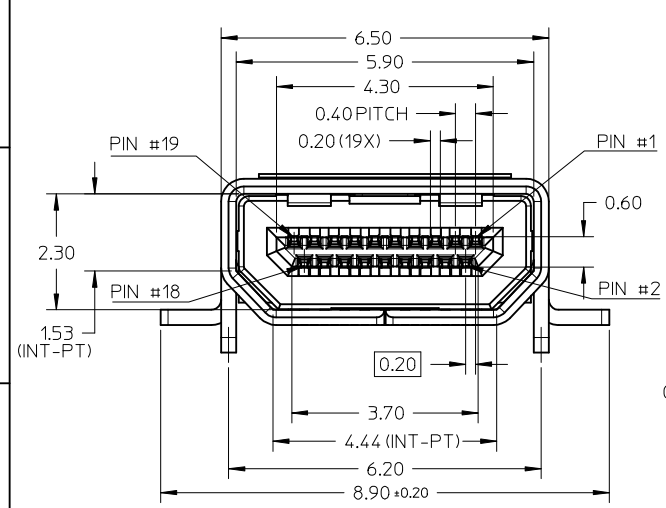


NOTES:

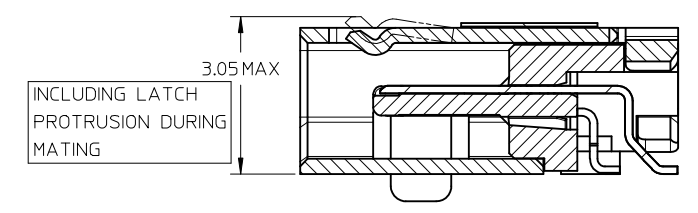
1. MATERIALS:  
HOUSING: LCP, 30% GLASS FILLED, UL94V-0  
TERMINALS: BRASS ALLOY  
SHIELD: STAINLESS STEEL
2. FINISHES:  
TERMINALS: 0.76UM MIN GOLD ON CONTACT AREA, 0.05UM MIN GOLD FLASH ON SOLDER TAILS, AND 2.0UM MIN NICKEL UNDERPLATE OVERALL  
SHIELD: 3.8UM MIN MATTE TIN OVER 1.27UM MIN NICKEL
3. PRODUCT SPECIFICATION: PS-46765-001
4. PACKAGING SPECIFICATION: PACKED IN TAPE & REEL
5. SEE SHEET 4 OF 5 FOR RECOMMENDED PCB LAYOUT
6. TERMINAL SOLDER-TAIL COPLANARITY 0.08 MAX

MOUNTING TYPE	PART NUMBER
THRU HOLE TYPE+KAPTON TAPE	46765-1001
THRU HOLE TYPE	46765-1011

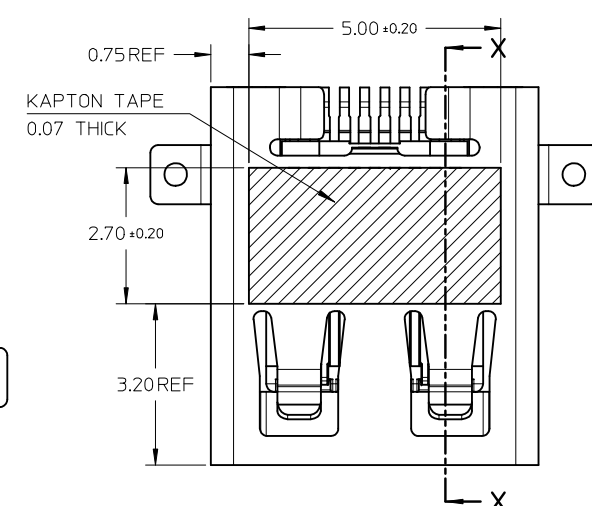
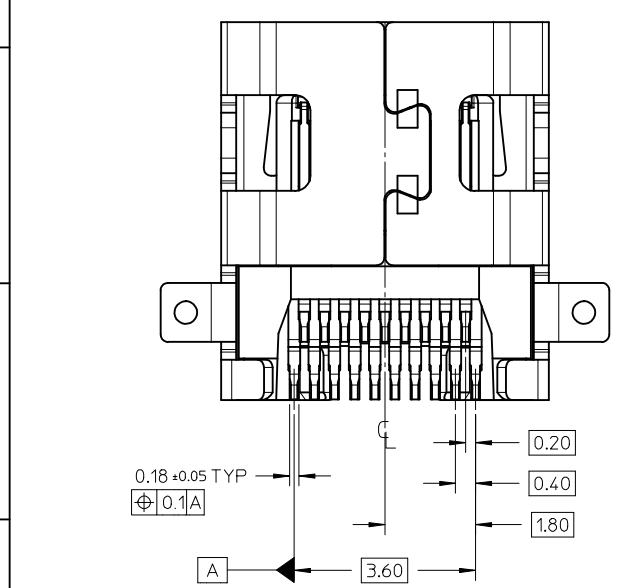
RELEASED IEC NO: S2010-0287 DRW:KSSHANITHA 2009/10/05 CHKD: JESSIECHUA 2009/10/05 APPR: NAGESHKN 2009/10/06	DESCRIPTION A3	QUALITY SYMBOLS	GENERAL TOLERANCES (UNLESS SPECIFIED)	DIMENSION STYLE	SCALE	DESIGN UNITS	THIRD ANGLE PROJECTION
		▼=0 ◻=0	mm INCH 4 PLACES ± --- ± --- 3 PLACES ± --- ± --- 2 PLACES ± 0.1 ± --- 1 PLACE ± --- ± --- ANGULAR ± 2 °	MM ONLY	NTS	METRIC	□ □
		DRAFT WHERE APPLICABLE MUST REMAIN WITHIN DIMENSIONS	DRAWN BY DATE MKAMARAU 2008/10/14 CHECKED BY DATE MKAMARAU 2008/10/14 APPROVED BY DATE MBANAKIS 2008/10/14 MATERIAL NO.	TITLE MICRO HDMI, TYPE-D 0.4MM PITCH, 19CKT RECEPTACLE CONNECTOR	MOLEX INCORPORATED DOCUMENT NO.	SHEET NO. 2 OF 5	
		SEE TABLE	THIS DRAWING CONTAINS INFORMATION THAT IS PROPRIETARY TO MOLEX INCORPORATED AND SHOULD NOT BE USED WITHOUT WRITTEN PERMISSION	SD-46765-001			



MICRO HDMI-HYBRID TYPE MOUNTING ISOMETRIC VIEW



SECTION X-X

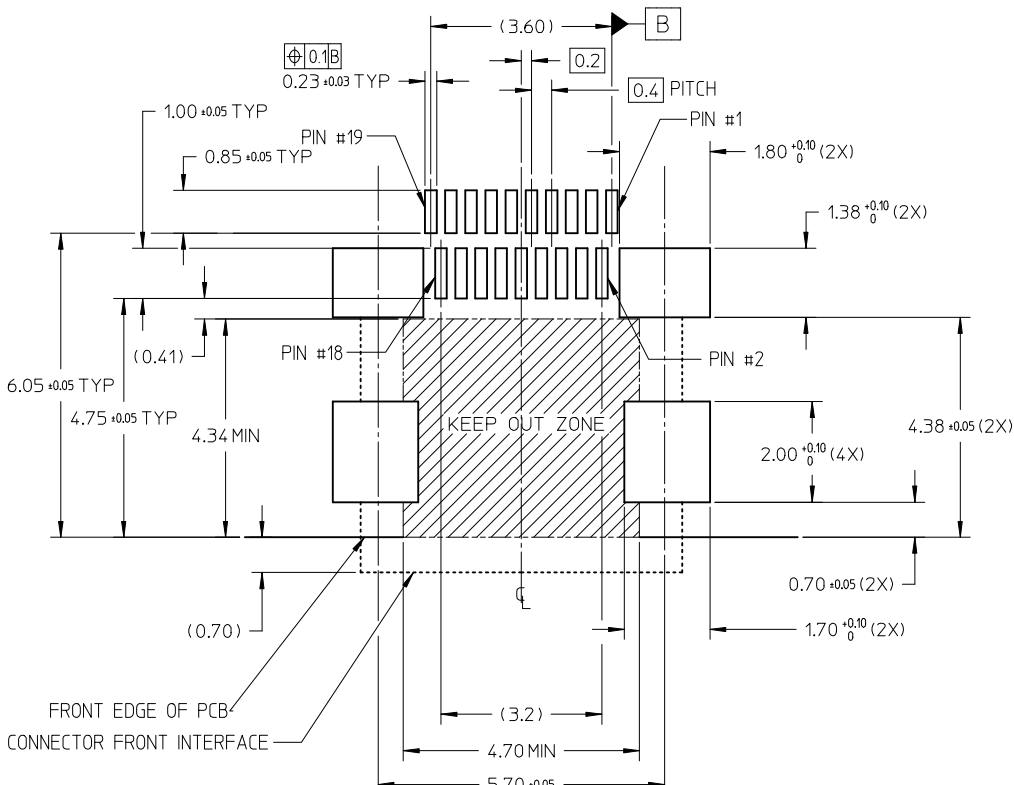


NOTES:

- MATERIALS:  
HOUSING: LCP, 30% GLASS FILLED, UL94V-0  
TERMINALS: BRASS ALLOY  
SHIELD: STAINLESS STEEL
- FINISHES:  
TERMINALS: 0.76UM MIN GOLD ON CONTACT AREA, 0.05UM MIN GOLD FLASH ON SOLDER TAILS, AND 2.0UM MIN NICKEL UNDERPLATE OVERALL  
SHIELD: 3.8UM MIN MATTE TIN OVER 1.27UM MIN NICKEL
- PRODUCT SPECIFICATION: PS-46765-001
- PACKAGING SPECIFICATION: PACKED IN TAPE & REEL
- SEE SHEET 4 OF 5 FOR RECOMMENDED PCB LAYOUT
- TERMINAL SOLDER-TAIL COPLANARITY 0.08 MAX

MOUNTING TYPE	PART NUMBER
HYBRID TYPE+KAPTON TAPE	46765-2001
HYBRID TYPE	46765-2011

RELEASED EC NO: S2010-0287 DRW:KSSHANTHA 2009/10/05 CHKD:JESSIECHUA 2009/10/05 APPR:NAAGESHKN 2009/10/06	QUALITY SYMBOLS	GENERAL TOLERANCES (UNLESS SPECIFIED)	DIMENSION STYLE	SCALE	DESIGN UNITS	THIRD ANGLE PROJECTION
	▼=0 ◻=0	mm    INCH 4 PLACES ± --- ± --- 3 PLACES ± --- ± --- 2 PLACES ± 0.1 ± --- 1 PLACE ± --- ± --- ANGULAR ± 2 °	MM ONLY	NTS	METRIC	
	REV	DESCRIPTION	DRAWN BY	DATE	TITLE	
	A3		MKAMARAU	2008/10/14	MICRO HDMI, TYPE-D 0.4MM PITCH, 19CKT RECEPTACLE CONNECTOR	
		DRAFT WHERE APPLICABLE MUST REMAIN WITHIN DIMENSIONS	CHECKED BY	DATE	MOLEX INCORPORATED	
			MBANAKIS	2008/10/14	DOCUMENT NO.	SHEET NO.
			SEE TABLE		SD-46765-001	3 OF 5
			SIZE	THIS DRAWING CONTAINS INFORMATION THAT IS PROPRIETARY TO MOLEX INCORPORATED AND SHOULD NOT BE USED WITHOUT WRITTEN PERMISSION		
			A3			

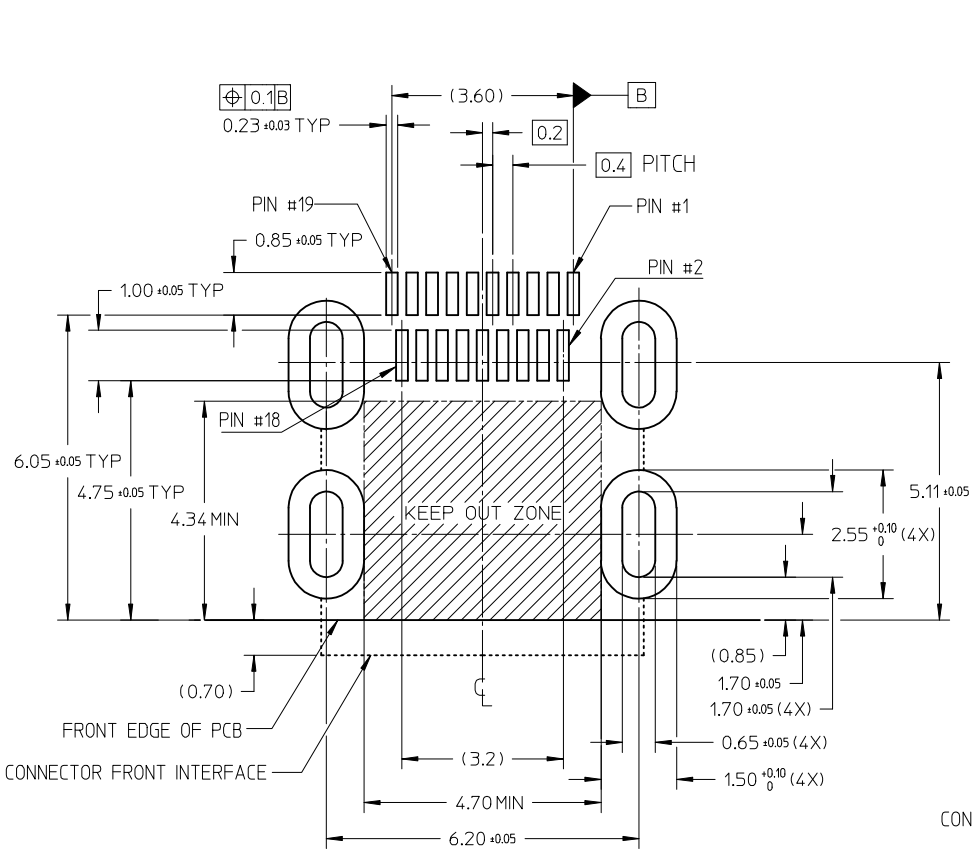


RECOMMENDED PCB LAYOUT  
 COMPONENT SIDE OF BOARD  
 SHEET 1 OF 5

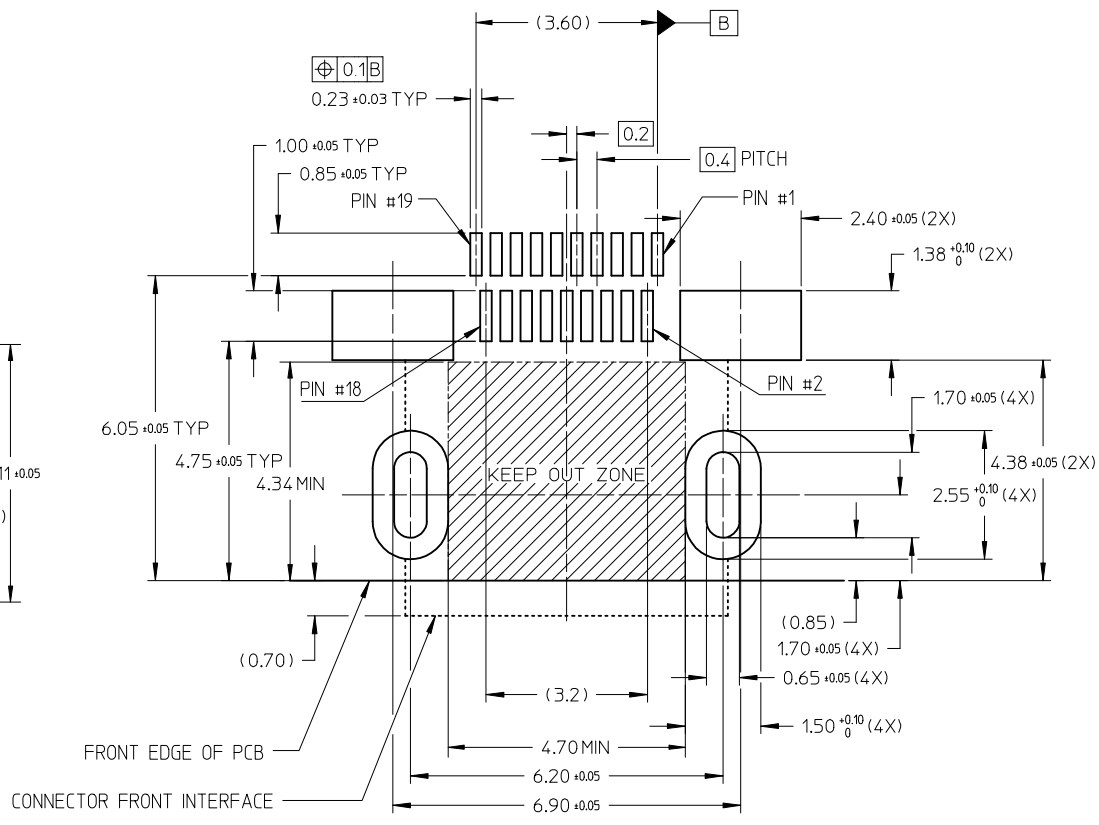
PIN	SIGNAL ASSIGNMENT
1	Hot Plug Detect
2	Utility
3	TMDS Data2+
4	TMDS Data2- Shield
5	TMDS Data2-
6	TMDS Data1+
7	TMDS Data1- Shield
8	TMDS Data1-
9	TMDS Data0+
10	TMDS Data0- Shield
11	TMDS Data0-
12	TMDS Clock+
13	TMDS Clock- Shield
14	TMDS Clock-
15	CEC
16	DDC/CEC Ground
17	SCL
18	SDA
19	+5V Power

CONNECTION	SIGNALS
	TYPE D CONNECTOR
FIRST MAKE	CONNECTOR SHELL
SECOND MAKE	PINS 1 - 18
THIRD MAKE	PIN 19 (+5V POWER)

RELEASED EC NO: S2010-0287 DRINKSSSHANTHA 2009/10/05 CHKD: JESSIECHUA 2009/10/05 APPR: NAGESHKN 2009/10/06	QUALITY SYMBOLS	GENERAL TOLERANCES (UNLESS SPECIFIED)		DIMENSION STYLE MM ONLY		SCALE NTS	DESIGN UNITS METRIC	THIRD ANGLE PROJECTION
	▽=0	4 PLACES	mm	INCH	DRAWN BY	DATE	TITLE	
	⊕=0	3 PLACES	± ---	± ---	DATE	2008/10/14	MICRO HDMI, TYPE-D	
		2 PLACES	± 0.1	± ---	CHECKED BY	DATE	0.4MM PITCH, 19CKT	
		1 PLACE	± ---	± ---	DATE	2008/10/14	RECEPTACLE CONNECTOR	
		ANGULAR ± 2 °		APPROVED BY	DATE	MOLEX INCORPORATED		
		DRAFT WHERE APPLICABLE MUST REMAIN WITHIN DIMENSIONS		MATERIAL NO.	2008/10/14	DOCUMENT NO.	SD-46765-001	
				SIZE	SEE TABLE	SHEET NO.		
				THIS DRAWING CONTAINS INFORMATION THAT IS PROPRIETARY TO MOLEX INCORPORATED AND SHOULD NOT BE USED WITHOUT WRITTEN PERMISSION				4 OF 5



RECOMMENDED PCB LAYOUT  
COMPONENT SIDE OF BOARD  
SHEET 2 OF 5



RECOMMENDED PCB LAYOUT  
COMPONENT SIDE OF BOARD  
SHEET 3 OF 5

RELEASED EC NO: S2010-0287 DRWN: KSSHANTHA 2009/10/05 CHKD: JESSIECHUA 2009/10/05 APPR: NAGESHKIN 2009/10/06	DESCRIPTION A3	QUALITY SYMBOLS	GENERAL TOLERANCES (UNLESS SPECIFIED)	DIMENSION STYLE	SCALE	DESIGN UNITS	THIRD ANGLE PROJECTION	
		▼ = 0 ◻ = 0	mm      INCH 4 PLACES ± --- ± --- 3 PLACES ± --- ± --- 2 PLACES ± 0.1 ± --- 1 PLACE ± --- ± --- ANGULAR ± 2 °	MM ONLY	NTS	METRIC		
				DRAWN BY	DATE	TITLE		
				CHECKED BY	DATE	MICRO HDMI, TYPE-D 0.4MM PITCH, 19CKT RECEPTACLE CONNECTOR MOLEX INCORPORATED		
				APPROVED BY	DATE			
				MATERIAL NO.				
DRAFT WHERE APPLICABLE MUST REMAIN WITHIN DIMENSIONS				SEE TABLE				
				SIZE	THIS DRAWING CONTAINS INFORMATION THAT IS PROPRIETARY TO MOLEX INCORPORATED AND SHOULD NOT BE USED WITHOUT WRITTEN PERMISSION			