

**NOTES:**

- MATERIALS AND FINISHES:**
  - INSULATOR: GLASS FILLED PLASTIC UL 94 V-0 RATED, GREY RAL 7035
  - CONTACTS: COPPER ALLOY, PLATING: FLASH GOLD OVER NICKEL
- ELECTRICAL CHARACTERISTICS:**

CREEPING AND CLEARANCE DISTANCE; MINIMUM:

  - CONTACT 47 TO CONTACT 46: 2.5 MM
  - CONTACT 47 TO CONTACT 45: 3.2 MM
  - CONTACT 46 TO CONTACT 45: 3.2 MM
  - CONTACT 47 TO SIGNAL CONTACTS: 6.4 MM
  - CONTACT 46 TO SIGNAL CONTACTS: 6.4 MM
  - CONTACT 45 TO SIGNAL CONTACTS: 2.0 MM

CONTACT CURRENT RATING:

  - POWER CONTACTS POS. 45-47: 40 AMPERES CONTINUOUS, ALL CONTACTS UNDER LOAD
  - POWER CONTACTS POS. 1-20: 28 AMPERES CONTINUOUS, ALL CONTACTS UNDER LOAD
  - SIGNAL CONTACTS: 3 AMPERES NOMINAL

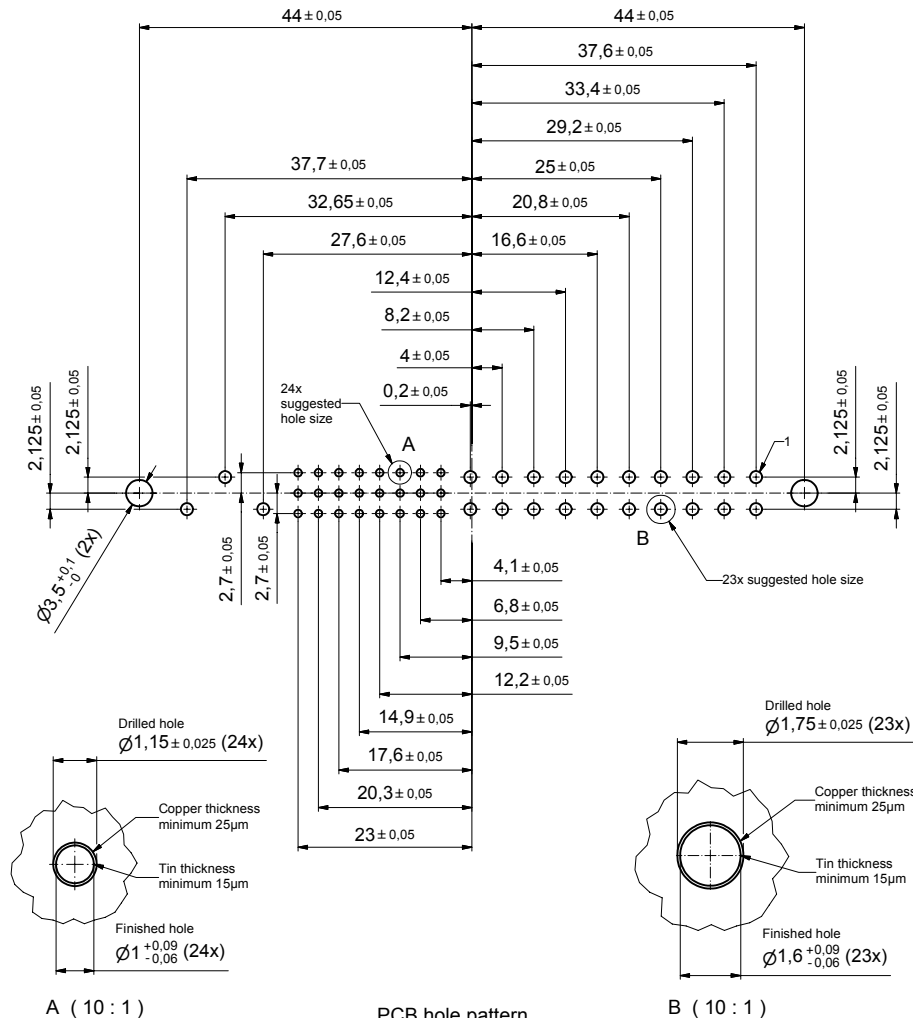
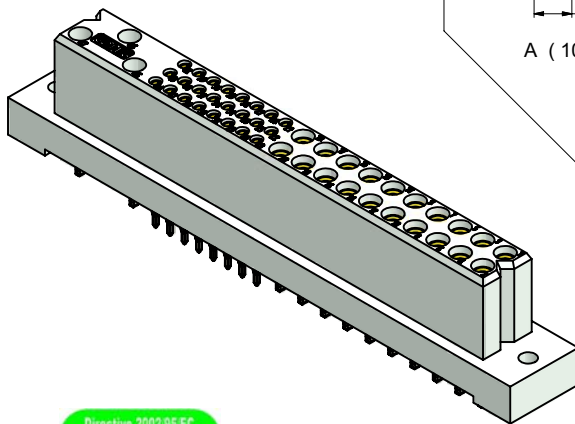
INITIAL CONTACT RESISTANCE PER IEC 512-2, TEST 2b:

  - POWER CONTACTS: 0.0007 OHM MAX.
  - SIGNAL CONTACTS: 0.004 OHM MAX.

INSULATION RESISTANCE: 5 G OHM PER IEC 512-2, TEST 3a

VOLTAGE PROOF:

  - CONTACTS POS. 46, 46, 47: 3 kV r.m.s.
  - CONTACTS POS. 1-20: 1.5 kV r.m.s.
  - CONTACTS POS. 21-44: 1 kV r.m.s.
- WORKING TEMPERATURE:** -55°C TO +125°C
- PRESS-FIT PART OF CONTACTS ARE PATENT PROTECTED**
- CONNECTOR IS PART MARKED:** [PART-NO. CONEC ABC]



A ( 10 : 1 )

PCB hole pattern

B ( 10 : 1 )

24	Signal contact (Pos. 21-44)	5	
20	Power contact type 3 (Pos. 1-20)	4	
1	Power contact type 2 (Pos. 45)	3	
2	Power contact type 1 (Pos. 46-47)	2	
1	Case 47pos. female	1	
quantity	part description	item	dwg no. / norm material

DO NOT ALTER CAD DRAWING BY HAND		finish: see notes		tolerance ISO 2768-m	scale: 2:1
THIS DRAWING MAY NOT BE COPIED OR REPRODUCED IN ANY WAY, AND MAY NOT BE PASSED ON TO A THIRD PARTY WITHOUT THE WRITTEN PERMISSION AND COPYRIGHT OF CONEC GmbH		date	name	dim. in mm	material: see notes
drawn	10.02.05	Mankopf			title: <b>SOCKET CONNECTOR 47pos.</b> PRESS-FIT STRAIGHT CompactPCI
appd.	10.02.05	Kühle			
norm					
rev	description	date	name	d-old	dwg no: [Inventor] DIN-A2
1x c	Ä 2207	18.04.05	Mkf.		45K1A006
1x b	Ä 2168	21.02.05	Mkf.		sh: 1
partlist					part no: CPH47W23FGE3SK9X ©

