

**NOTES:**

- MATERIALS AND FINISHES:**
  - INSULATOR: GLASS FILLED PLASTIC UL 94 V-0 RATED, GREY RAL 7035  $\text{\textcircled{D}}$
  - CONTACTS: COPPER ALLOY, PLATING: FLASH GOLD OVER NICKEL
- ELECTRICAL CHARACTERISTICS:**

CREEPING AND CLEARANCE DISTANCE; MINIMUM:

  - CONTACT 38 TO CONTACT 37: 2,5 MM
  - CONTACT 38 TO CONTACT 36: 3,2 MM
  - CONTACT 37 TO CONTACT 36: 3,2 MM
  - CONTACT 38 TO SIGNAL CONTACTS: 6,4 MM
  - CONTACT 37 TO SIGNAL CONTACTS: 6,4 MM
  - CONTACT 36 TO SIGNAL CONTACTS: 2,0 MM

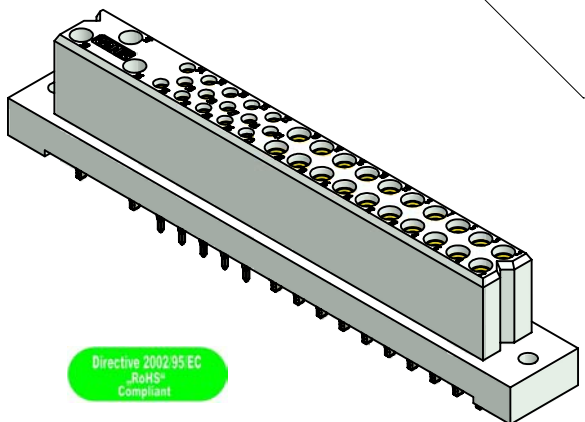
CONTACT CURRENT RATING:

  - POWER CONTACTS POS. 36-38: 40 AMPERES CONTINUOUS, ALL CONTACTS UNDER LOAD
  - POWER CONTACTS POS. 1-20: 28 AMPERES CONTINUOUS, ALL CONTACTS UNDER LOAD
  - SIGNAL CONTACTS: 5 AMPERES NOMINAL

INITIAL CONTACT RESISTANCE PER IEC 512-2, TEST 2b:

  - POWER CONTACTS: 0,0007 OHM MAX.
  - SIGNAL CONTACTS: 0,004 OHM MAX.

INSULATION RESISTANCE: 5 G OHM PER IEC 512-2, TEST 3a, METHOD A
- WORKING TEMPERATURE:** -55°C TO +125°C
- PRESS-FIT PART OF CONTACTS ARE PATENT PROTECTED**
- CONNECTOR IS PART MARKED:** [PART\_NO.]\_CONEC\_[ABC]



15	Signal contact (Pos. 21-35)	5		
20	Power contact type 3 (Pos. 1-20)	4		
1	Power contact type 2 (Pos. 36)	3		
2	Power contact type 1 (Pos. 37-38)	2		
1	Case 38pos. female	1		
quantity	part description	item	dwg no. / norm	material

finish:	tolerance	scale:	2:1
see notes	ISO 2768-m	material:	see notes
date	name	title:	
10.02.05	Mankopf	SOCKET CONNECTOR 38pos.	
10.02.05	Kühle	PRESS-FIT STRAIGHT	
norm		CompactPCI	
2 x d	A 2867	14.11.07	HS
1 x c	A 2207	18.04.05	Mkf.
1 x b	A 2168	21.02.05	Mkf.
rev.	description	date	name

dwg no:	[Inventor]	DIN-
		A2
part no:	45K1A002	sh: 1
	CPH38W23FGE3SK9X	

THIS DRAWING MAY NOT BE COPIED OR REPRODUCED IN ANY WAY, AND MAY NOT BE PASSED ON TO A THIRD PARTY WITHOUT THE WRITTEN PERMISSION AND COPYRIGHT OF CONEC GmbH  
 DO NOT ALTER CAD DRAWING BY HAND

