

**PLEASE CHECK WWW.MOLEX.COM FOR LATEST PART INFORMATION**

**Part Number:** [0504199101](#)  
**Status:** **Active**  
**Description:** 3.50mm (.138") Pitch Crimp Terminal 50419, Bag

**Documents:**

[3D Model](#) [Product Specification PS-51067-008 \(PDF\)](#)  
[Drawing \(PDF\)](#) [RoHS Certificate of Compliance \(PDF\)](#)

**General**

Product Family Crimp Terminals  
 Series [50419](#)  
 Crimp Quality Equipment Yes  
 Product Name N/A

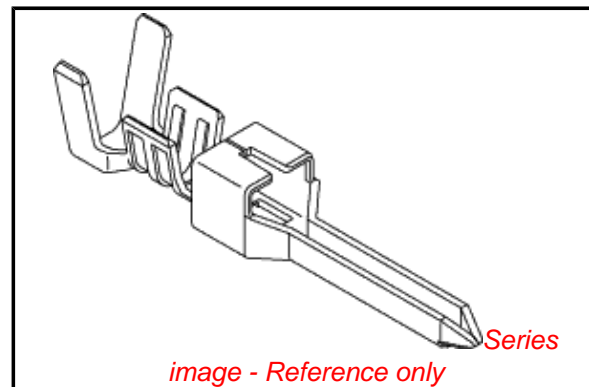
**Physical**

Gender Male  
 Material - Metal Brass  
 Material - Plating Mating Tin  
 Material - Plating Termination Tin  
 Packaging Type Bag  
 Plating min: Mating (µin) 35  
 Plating min: Mating (µm) 0.88  
 Plating min: Termination (µin) 35  
 Plating min: Termination (µm) 0.88  
 Termination Interface: Style Crimp or Compression  
 Wire Insulation Diameter 1.40-3.00mm (.055-.118")  
 Wire Size AWG 18, 20, 22, 24  
 Wire Size mm<sup>2</sup> N/A

**Material Info**

**Reference - Drawing Numbers**

Product Specification PS-51067-008, RPS-51067-020  
 Sales Drawing SD-50419-\*\*\*\*



**EU RoHS**

**ELV and RoHS  
 Compliant**  
**REACH SVHC  
 Contains SVHC: No**  
**Halogen-Free  
 Status**

**China RoHS**



**Need more information on product  
 environmental compliance?**

Email [productcompliance@molex.com](mailto:productcompliance@molex.com)  
 For a multiple part number RoHS Certificate of  
 Compliance, [click here](#)

Please visit the [Contact Us](#) section for any  
 non-product compliance questions.

**Search Parts in this Series**

[50419Series](#)

**Mates With**

[50217](#)

**Use With**

[51114](#)

**Application Tooling | FAQ**

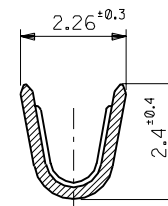
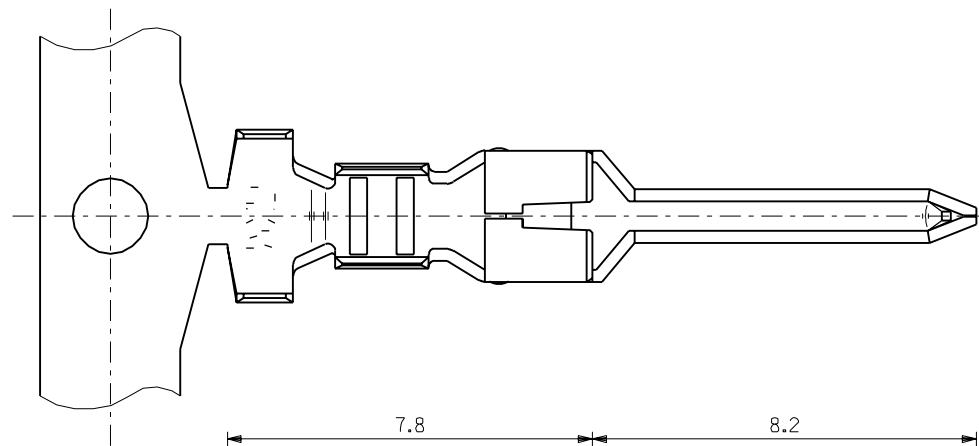
*Tooling specifications and manuals are  
 found by selecting the products below.  
 Crimp Height Specifications are then  
 contained in the Application Tooling  
 Specification document.*

**Japan**

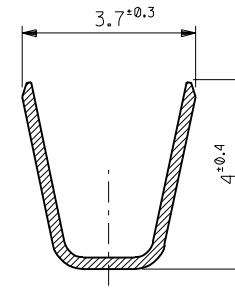
Description	Product #
Hand Extraction Tool	<a href="#">0573166000</a>
Hand Crimp Tool	<a href="#">0573285000</a>
Hand Crimp Tool	<a href="#">0573285100</a>

**PLEASE CHECK [WWW.MOLEX.COM](http://WWW.MOLEX.COM) FOR LATEST PART INFORMATION**

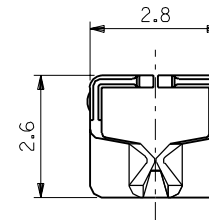
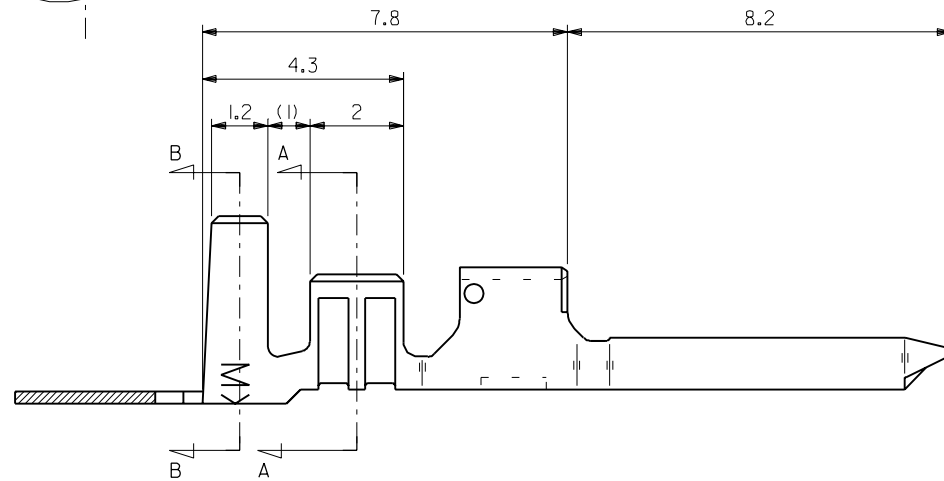
DWG. NO.  
SD-50419-\*\*\*\*\*



SECT. A-A



SECT. B-B



50419-9101	バラ状 LOOSE
50419-9001	連鎖状 CHAIN
ENG.NO.	端子形状 FORM

注記 NOTES

- 適合ハウジング: 51114 シリーズ  
APPLICABLE HOUSING : 51114 SERIES
- 材質  
MATERIAL  
黄銅、スズメッキ、t=0.254  
BRASS, PRE-TINNED, t=0.254

角度 ANGLE	±3°	材料 MATERIAL	注記参照 SEE NOTES
30以上 OVER	+0.3	仕上げ FINISH	注記参照 SEE NOTES
10以上 30未満 UNDER	+0.25	適用電線範囲 WIRE RANGE	AWG #18~#24
10未満 UNDER	+0.2	被覆外径 INS. RANGE	φ1.4~φ3.0
一般公差 GENERAL TOLERANCES		新規作成 (J30900) RELEASED	DR. M.F. 93/9/7
記号 LTR		変更内容 REVISION RECORD	DR. H.H. 93/9/7
		DR. DATE	93/9/7
		APP'D BY	M.FUKUSHIMA
		CHK'D BY	H.HIRAMOTO
		尺度 SCALE	10 : 1

MOLEX JAPAN CO.,LTD. 日本モレックス株式会社	
REVISE ONLY ON CAD SYSTEM	
TITLE 名称 3.5 WIRE TO WIRE CONN. PLUG TERMINAL	
DWG. NO. SD-50419-*****	REV 0